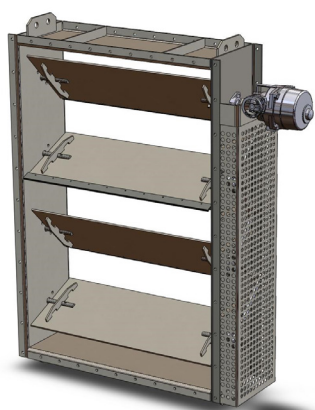


## CSK-JR | RECTANGULAR LOUVRE (MULTI-BLADE) DAMPER VALVE



### APPLICATION:

For control (modulating) service

### RANGE:

Size: 200x200 – 2000x2000 or rectangular

### CONNECTION:

Flanged, butt-weld

Flange drilling in accordance with: DIN24193 or custom build

### INSPECTION & TESTING:

FCI 70-2 Class I & II available (0.5%- KV90)

EN12266

### TEMPERATURE RANGE:

-40 / + 400°C

### MATERIAL:

Carbon Steel, AISI304, AISI316, AISI321, ...

### DESIGN RULES:

EN12516-1, EN12516-2, EN1090

### FACE 2 FACE:

Manufacturer standard or according customer specification

### OPERATED:

Handlever, gearbox, pneumatic actuator, electrical actuator

### DO YOUR NEEDS GO BEYOND A STANDARD PRODUCT?

V.V.C. actively helps you customize your existing products or develops together with you and its engineers, products that are tailored to your application.

**Please contact us:** [info@vvc-valves.com](mailto:info@vvc-valves.com) or +32 (0)3 491 97 70

1. air control

2. air on/off

3. exhaust on/off

4. exhaust control

5. ash

6. chimney

7. solids

8. transport