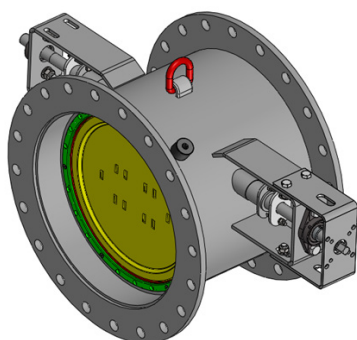


DSK-TSV | TRIPPLE OFFSET BUTTERFLY DAMPER VALVE



APPLICATION:
For On/Off service

RANGE:
DN 300 – 1200

CONNECTION:
Flanged, butt-weld
Flange drilling in accordance with:
EN1092-1, DIN86044, DIN28031, JIS(7805-5K-10K), ASME B 16.5 Cl. 150 or 300,
ASME 16.47 Serie A, B or custom build

INSPECTION & TESTING:
FCI 70-2 Class I, II, III & IV (0.01% - KV90)
Option: 100% tight - with inflatable seal (ISV) – Ts: 160°C and +0.9/-0.9 barG
Option: 100% sealing by means of sealing air (fan)
EN12266

TEMPERATURE RANGE:
-40 / + 750°C (1000°C)

MATERIAL:
Carbon Steel, AISI304, AISI316, AISI253MA, AISI321, AISI309, Alloy 800HT / 625, ...

DESIGN RULES:
EN12516-1, EN12516-2, ANSI 16.34, EN1090

FACE 2 FACE:
Manufacturer standard or according customer specification

OPERATED:
Handlever, gearbox, pneumatic actuator, electrical actuator

DO YOUR NEEDS GO BEYOND A STANDARD PRODUCT?

V.V.C. actively helps you customize your existing products or develops together with you and its engineers, products that are tailored to your application.

Please contact us: info@vvc-valves.com or +32 (0)3 491 97 70

1. air control

2. air on/off

3. exhaust on/off

4. exhaust control

5. ash

6. chimney

7. solids

8. transport