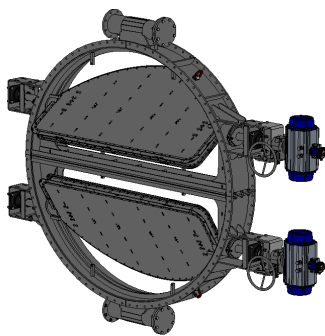


## DSK-JD | BUTTERFLY DAMPER VALVE WITH SEALING AIR SYSTEM FOR 100% TIGHTNESS



### APPLICATION:

For control

### RANGE:

DN 1200 – 4000

### CONNECTION:

Flanged, Butt-weld

Flange drilling in accordance with:

EN1092-1, DIN86044, DIN28031, JIS (7805 – 5K – 10K), ASME B 16.5 Cl. 150 or 300, ASME 16.47 Serie A, B or custom build

### INSPECTION & TESTING:

FCI 70-2 Class III (0.1% - KV90)

100% sealing by means of sealing air (fan)

EN12266

### TEMPERATURE RANGE:

-40 / + 750°C

### MATERIAL:

Carbon Steel, AISI304, AISI316, AISI253MA, AISI321, AISI309, Alloy 800HT / 625, ...

### FACE 2 FACE:

Manufacturer standard or according customer specification

### OPERATED:

Gearbox, pneumatic actuator, electrical actuator

### DO YOUR NEEDS GO BEYOND A STANDARD PRODUCT?

V.V.C. actively helps you customize your existing products or develops together with you and its engineers, products that are tailored to your application.

**Please contact us:** [info@vvc-valves.com](mailto:info@vvc-valves.com) or +32 (0)3 491 97 70

1. air control

2. air on/off

3. exhaust on/off

4. exhaust control

5. ash

6. chimney

7. solids

8. transport