

**the best part
is this part**



SERVO COUPLINGS

Contents

Miniature Metal Bellows Couplings	Page 5
KB1 - with set screws 0,05-30 Nm	Page 6
KB1P - axial pluggable, with set screws 0,5-10 Nm	Page 7
KB2 - with collet clamps 0,1-10 Nm	Page 8
KB2H - with split hubs 0,5-10 Nm	Page 9
KB2P - axial pluggable, with collet clamps 0,5-10 Nm	Page 10
KB2VA - with stainless steel collet clamps 0,1-10 Nm	Page 11
KB3 - with expanding clamps 0,5-10 Nm	Page 12
KB3P - axial pluggable, with expanding clamps 0,5-10 Nm	Page 13
Metal Bellows Couplings	Page 14 / 15
KB4 - with collet clamps 18-1400 Nm	Page 16
KB4AL - with collet clamps 80-500 Nm	Page 17
KB4C - with collet clamps, compact 18-500 Nm	Page 18
KB4F - for flange mounting	Page 19
KB4FA - with adapting flange 18-1400 Nm	Page 20
KB4H - with split hubs 18-1400 Nm	Page 21
KB4HC - with split hubs 18-500 Nm	Page 22
KB4K - with collet clamps 40-1500 Nm	Page 23
KB4LV - length adjustable execution 18-500 Nm	Page 24
KB4P - axial pluggable 18-500 Nm	Page 25
KB4VA - with stainless steel collet clamps 18-500 Nm	Page 26
KB5 - with inner conical hubs 18-5000 Nm	Page 27
KB6 - with outer conical hubs 18 bis 5000 Nm	Page 28
KB6P - axial pluggable, with outer conical hubs 18-500 Nm	Page 29
KB7 - for flange mounting 18-5000 Nm	Page 30
KB8 - with expanding clamps 18-500 Nm	Page 31
KB8P - axial pluggable, with expanding clamps 18-500 Nm	Page 32
Servo Insert Couplings	Page 33
KBE1 - with set screws sizes 5-55	Page 34
KBE2 - with collet clamps sizes 5-19	Page 35
KBE2 - with collet clamps sizes 24-55	Page 36
KBE2C - with collet clamps, compact sizes 7-48	Page 37
KBE2H - with split hubs sizes 14-55	Page 38
KBE2HC - with split hubs sizes 14-48	Page 39
KBE2D - doublecardanic with collet clamps sizes 7-48	Page 40
KBE3 - with outer conical hubs sizes 14-55	Page 41
KBE3C - with outer conical hubs, compact sizes 14-55	Page 42
KBE4 - with expanding clamps sizes 14-48	Page 43

Contents

Spider Elements for Couplings series KBE	Page 44
Spider Elements for Couplings series KBE	Page 45
Cardan Couplings	Page 46
GK - linear coupling with threads 200-13000 N	Page 47
GK-T - cardan coupling with collet clamps 2-250 Nm	Page 48
GK-TH - cardan coupling with split hubs 5-250 Nm	Page 49
Line Shafts	Page 50
DRE - split hubs and servo inserts	Page 51
DRB - split hubs and metal bellows	Page 52
Slit Couplings	Page 53
KBFK - slit couplings with collet clamps	Page 54
KBFH - slit couplings with split hubs	Page 55
Rigid Shaft Couplings	Page 56
KBST - rigid shaft couplings, single slit	Page 57/58
KBST-VA - rigid shaft couplings, single slit, stainless steel	Page 59/60
KBST-G - rigid shaft couplings, split	Page 61/62
KBST-G-VA - rigid shaft couplings, split, stainless steel	Page 63/64
Collar	Page 65
KR - Collar, single slit	Page 66
KR-G - Collar, split	Page 67

MINIATURE COUPLINGS

KB1 | 05 ~ 300

Miniature Metal Bellows Coupling
with set screws



P. 6

KB1P | 5 ~ 100

Miniature Metal Bellows Coupling
axial pluggable, with set screws



P. 7

KB2 | 1 ~ 100

Miniature Metal Bellows Coupling
with collet clamps



P. 8

KB2H | 5 ~ 100

Miniature Metal Bellows Coupling
with split hubs



P. 9

KB2P | 5 ~ 100

Miniature Metal Bellows Coupling
axial pluggable, with collet clamps



P. 10

KB2VA | 1 ~ 100

Miniature Metal Bellows Coupling
with stainless steel collet clamps



P. 11

KB3 | 5 ~ 100

Miniature Metal Bellows Coupling
with expanding clamps



P. 12

KB3P | 5 ~ 100

Miniature Metal Bellows Coupling
axial pluggable, with expanding clamps

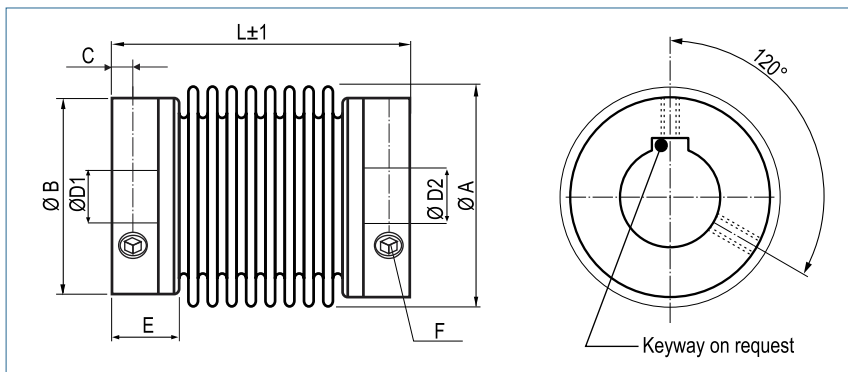
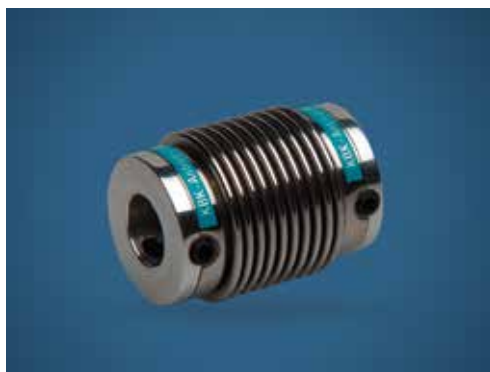


P. 13

Miniature Metal Bellows Coupling

with set screws

optional
laserwelded
optional full stainless
steel version



Order Code

KB1 / 45 - 40 - 10 - 18 - (S)
 Type / Size Length L ØD1 (H7) ØD2 (H7) Options

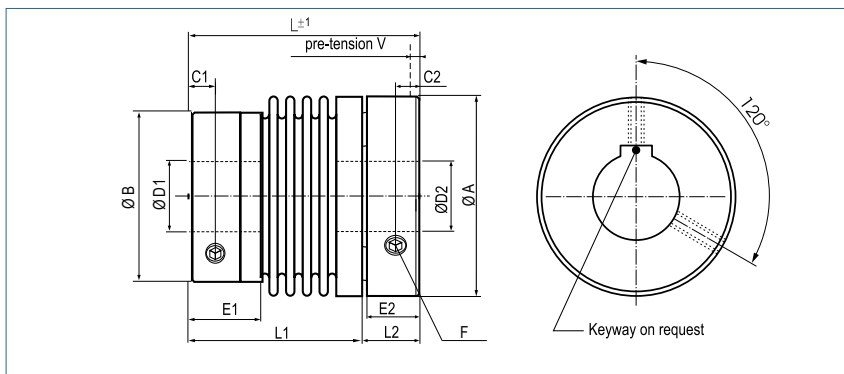
Size	Torque TKN (Nm)	Dimensions (mm)						Technical Data								
		L	Ø A	D1/D2	Ø B	C	E	F	Mass (g)	Moment of Inertia J (g cm ²)	Spring Stiffness			Misalignment		
		Length	Outer	Bore Sizes (H7) min-max	Hub	Hub-length	Screw (ISO4029) TA (Nm)	torsional CT (Nm/rad)			radial CR (N/mm)	axial CA (N/mm)	radial ΔKr (mm)	axial ΔKa (mm)	angular ΔKw (°)	
05	0.05	14	6.5	1-3	6.5	1.5	4	1x M2 0.35	1	0.1	50	6	9	0.1	0.4	1
1	0.1	23	10	1-4	10	2	6	1x M3 0.5	3	0.45	65	10	14	0.12	0.2	1.2
5	0.5	19	15	3-8	13.5	2	6	1x M3 0.5	4	1.3	260	43	13	0.1	0.2	1
		23							4.5	1.5	200	18	10	0.15	0.3	1.5
		27							5	1.6	160	9	8	0.2	0.4	2
10	1	21	15	3-8	13.5	2	6	1x M3 0.5	5.5	1.8	510	74	27	0.1	0.2	1
		25							6	2	380	31	20	0.15	0.3	1.5
		29							7	2.3	310	16	16	0.2	0.4	2
15	1.5	26	19	3-12	19	3	8	2x M4	10	6	750	59	15	0.1	0.3	1.5
		30		8#				1.5	12	7.4	700	20	9	0.15	0.4	2
20	2	22	24	3-14	21.5	3	6	2x M4	11	9.2	1500	67	12	0.15	0.3	1.5
		28		10#				13	12.6	1300	21	11	0.2	0.4	1.5	
		32		15				13.5	1050	11	9	0.25	0.5	2		
45	4.5	40	32	6-19	29	4	12	2x M6	44	68	6500	168	32	0.1	0.3	1.5
		48		13#				3	50	79	4200	41	20	0.2	0.5	2
100	10	45	40	6-24	36	4	12	2x M6	60	150	8100	120	27	0.15	0.4	1.5
		55		17#				3	79	210	6800	29	17	0.3	0.6	2
180	18	63	45	10-28	44	7	19.5	2xM8	100	339	20000	205	50	0.2	0.5	1.5
		71						20	150	396	15000	82	36	0.25	0.5	2
300	30	65	56	10-34	54	9	24.5	2xM8	180	945	38000	720	50	0.15	0.6	1.5
		73						20	200	958	28000	225	28	0.25	1	2

Speed	max. 15000 min ⁻¹
Material	bellows - stainless steel, size 05: bronze hub - aluminium
Hub	bore tolerance: H7
Temperature Range	-30 °C ~ 120 °C
Keyway	optional acc. DIN 6885 biggest bore with keyway marked with a #

Miniature Metal Bellows Coupling

axial pluggable, with set screws

optional
laserwelded
optional full stainless
steel version



Order Code

KB1P / 15 - 32 - 5 - 10 - D - (S)

Type / Size

Length
L

ØD1
(H7)

ØD2
(H7)

Plug System

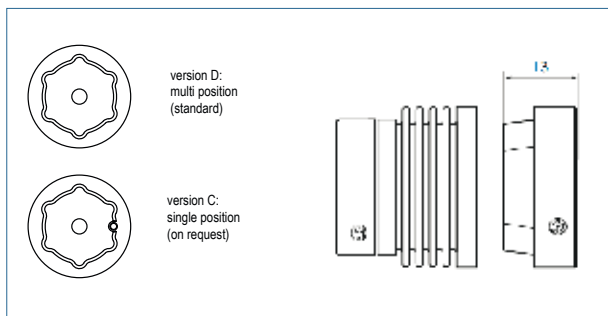
Options

Size	Torque TKN (Nm)	Dimensions (mm)								Technical Data							
		L	Ø A	Ø B	D1	D2	C1	C2	F	Mass (g)	Moment of Inertia J (g cm ²)	Spring Stiffness			Misalignment		
		Length	Plug Hub Ø	Set Screw Ø	Bore Size (H7) min-max	Bore Size (H7) min-max			Screw (ISO4029) TA (Nm)			torsional CT (Nm/rad)	radial CR (N/mm)	axial CA (N/mm)	radial Δ Kr (mm)	axial Δ Ka (mm)	angular Δ Kw (°)
5	0.5	22	15.5	13.5	3-8	3-8	2	2	1xM3	5.9	1.9	260	43	13	0.1	0.2	1
		26								6.6	2.2	200	18	10	0.15	0.3	1.5
		30								0.5	7.4	2.4	160	9	8	0.2	0.4
10	1	24	15.5	13.5	3-8	3-8	2	2	1xM3	8.1	2.7	510	74	27	0.1	0.2	1
		28								8.8	2.9	380	31	20	0.15	0.3	1.5
		32								0.5	10.3	3.4	310	16	16	0.2	0.4
15	1.5	28	20	19	3-12	3-10	3	2.5	2xM4	14.7	8.8	750	59	15	0.1	0.3	1.5
		32			8#	7#				1.5	17.6	10.9	700	20	9	0.15	0.4
20	2	27	25	21.5	3-14	3-14	3	2.5	2xM4	16.2	13.5	1500	67	12	0.15	0.3	1.5
		33			10#	10#				19.1	17.5	1300	21	11	0.2	0.4	1.5
		37			1.5	22				19.9	1050	11	9	0.25	0.5	2	
45	4.5	44	32.5	29	6-19	6-16	4	4	2xM6	64.7	100	6500	168	32	0.1	0.3	1.5
		52			13#	11#				3	73.5	116	4200	41	20	0.2	0.5
100	10	50	40.5	36	6-24	6-25	4	4	2xM6	88.2	220.5	8100	120	27	0.15	0.4	1.5
		60			17#	18#				3	116.1	308.7	6800	29	17	0.3	0.6



Speed	max. 15000 min ⁻¹
Material	bellows - stainless steel hub - aluminium
Hub	bore tolerance: H7
Temperature Range	-30 °C ~ 120 °C
Keyway	optional acc. DIN 6885 biggest bore with keyway marked with a #

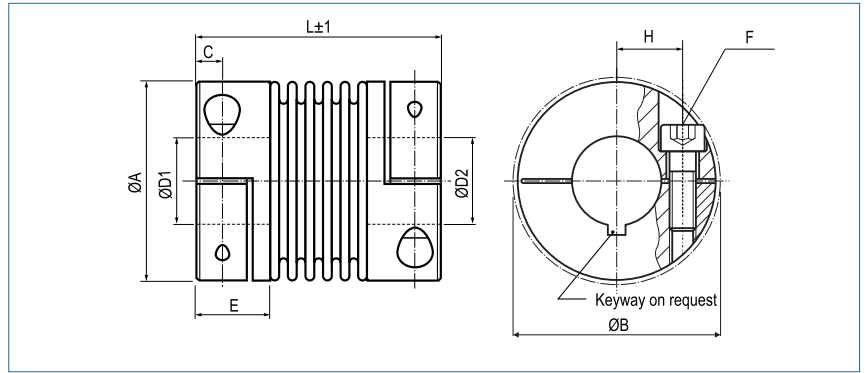
Size	Dimensions (mm)					
	E1	E2	L1	L2	L3	V
5	6	4	17	5	9	0.5
			21			
			25			
10	6	4	19	5	9	0.5
			23			
			27			
15	8	5	22	6	11	0.5
			26			
20	6	5	21	6	11	0.5
			27			
			31			
45	12	8	35	9	16	0.5
			43			
100	12	8	41	9	17	1
			51			



Miniature Metal Bellows Coupling

with collet clamps

optional
laserwelded
optional full stainless
steel version



Order Code

KB2 / 45 - 50 - 10 - 16 - (S)

Type / Size Length L ØD1 (H7) ØD2 (H7) Options

Size	Torque TKN (Nm)	Dimensions (mm)								Technical Data							
		L	Ø A	D1/D2	H	C	Ø B	E	F	Mass (g)	Moment of Inertia J (g cm ²)	Spring Stiffness			Misalignment		
		Length	Outer Ø	Bore Sizes (H7) min-max				Hub-length	Screw (ISO4762) TA (Nm)			torsional CT (Nm/rad)	radial CR (N/mm)	axial CA (N/mm)	radial ΔKr (mm)	axial ΔKa (mm)	angular ΔKw (°)
1	0.1	25	10	1-4	3.4	2	11	7	M1.6	3	0.5	65	10	14	0.12	0.2	1.2
		0.1															
5	0.5	21	15.5	3-8	5.2	2.5	17.5	7	M2	7.5	2.7	260	43	13	0.1	0.2	1
		25		8#					7.8	2.8	200	18	10	0.15	0.3	1.5	
		28							8.2	3	160	9	8	0.2	0.4	2	
10	1	23	15.5	3-8	5.2	2.5	17.5	7	M2	9	3.1	510	74	27	0.1	0.2	1
		26		8#					9.3	3.4	380	31	20	0.15	0.3	1.5	
		31							10	3.7	310	16	16	0.2	0.4	2	
15	1.5	26	20	3-10	7	3	21	8,5	M2.5	13	8	750	59	15	0.1	0.3	1.5
		31		10#					15	9.3	700	20	9	0.15	0.4	2	
20	2	32	25	3-14	9	3.5	27	11	M3	29	24	1500	67	12	0.15	0.3	1.5
		38		14#					32	27	1300	21	11	0.2	0.4	1.5	
		42							2	33	29	1050	11	9	0.25	0.5	2
45	4.5	41	32.5	6-18	12	5	34	13	M4	61	100	6500	168	32	0.1	0.3	1.5
		50		18#					67	112	4200	41	20	0.2	0.5	2	
100	10	47	40.5	6-25	15.5	5	41.5	13,5	M4	86	233	8100	120	27	0.15	0.4	1.5
		57		25#					4.5	106	290	6800	29	17	0.3	0.6	2

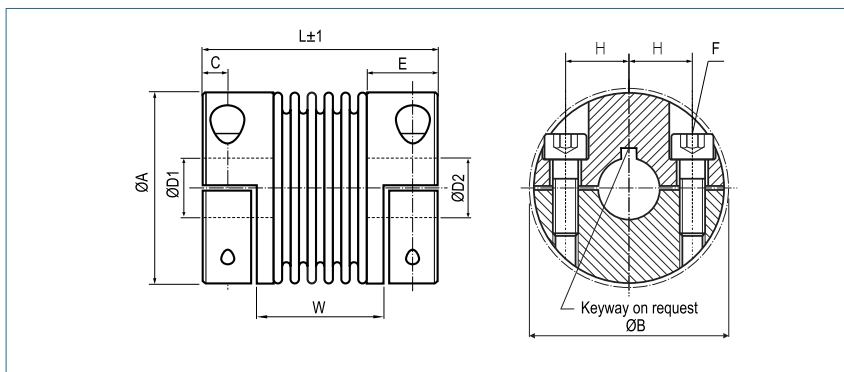


Speed	max. 15000 min ⁻¹
Material	bellows - stainless steel hub - aluminium
Hub	bore tolerance: H7
Temperature Range	-30 °C ~ 120 °C
Keyway	optional acc. DIN 6885 biggest bore marked with a #

Miniature Metal Bellows Coupling

with split hubs

optional
laserwelded
optional full stainless
steel version



Order Code

KB2H / 45 - 50 - 10 - 16 - (S)

Type / Size

Length
L

ØD1
(H7)

ØD2
(H7)

Options

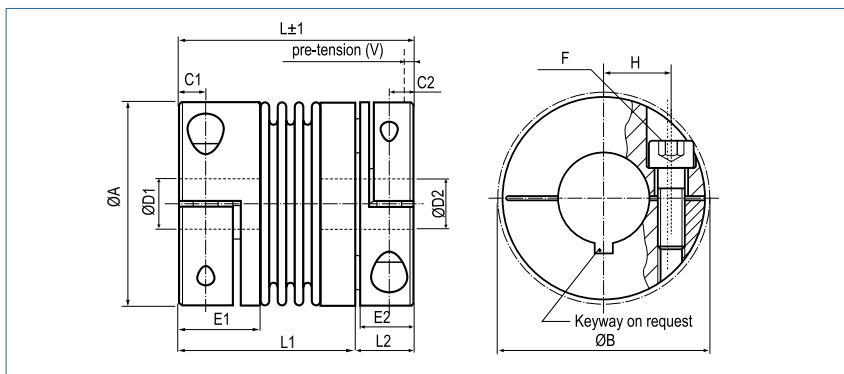
Size	Torque TKN (Nm)	Dimensions (mm)									Technical Data							
		L	Ø A	D1/D2	H	C	ØB	E	W	F	Mass (g)	Moment of Inertia J (g cm ²)	Spring Stiffness			Misalignment		
		Length	Outer Ø	Bore Sizes (H7) min~max				Hub- length		Screw (ISO4762) TA (Nm)			torsional CT (Nm/rad)	radial CR (N/mm)	axial CA (N/mm)	radial ΔKr (mm)	axial ΔKa (mm)	angular ΔKw (°)
5	0.5	21	15.5	3-8	5.2	2.5	17.5	7	12	M2	7.5	2.7	260	43	13	0.1	0.2	1
		16							0.43	7.8	2.8	200	18	10	0.15	0.3	1.5	
		19								8.2	3	160	9	8	0.2	0.4	2	
10	1	23	15.5	3-8	5.2	2.5	17.5	7	14	M2	9	3.1	510	74	27	0.1	0.2	1
		17							0.43	9.3	3.4	380	31	20	0.15	0.3	1.5	
		22		10						3.7	310	16	16	0.2	0.4	2		
15	1.5	26	20	3-10	7	3	21	8,5	14.4	M2.5	13	8	750	59	15	0.1	0.3	1.5
		19.4		0.85					15	9.3	700	20	9	0.15	0.4	2		
20	2	32	25	3-14	9	3.5	27	11	18.4	M3	29	24	1500	67	12	0.15	0.3	1.5
		24.4							2	32	27	1300	21	11	0.2	0.4	1.5	
		28.4		33						29	1050	11	9	0.25	0.5	2		
45	4.5	41	32.5	6-18	12	5	34	13	24	M4	61	100	6500	168	32	0.1	0.3	1.5
		33		3.5					67	112	4200	41	20	0.2	0.5	2		
100	10	47	40.5	6-25	15.5	5	41.5	13,5	29	M4	86	233	8100	120	27	0.15	0.4	1.5
		39		4.5					106	290	6800	29	17	0.3	0.6	2		

Speed	max. 15000 min ⁻¹
Material	bellows - stainless steel hub - aluminium
Hub	bore tolerance: H7
Temperature Range	-30 °C ~ 120 °C
Keyway	optional acc. DIN 6885 biggest bore marked with a #

Miniature Metal Bellows Coupling

axial pluggable, with collet clamps

optional
laserwelded
optional full stainless
steel version



Order Code

KB2P / 15 - 30 - 5 - 10 - D - (S)

Type / Size

Length
L

ØD1
(H7)

ØD2
(H7)

Plug System

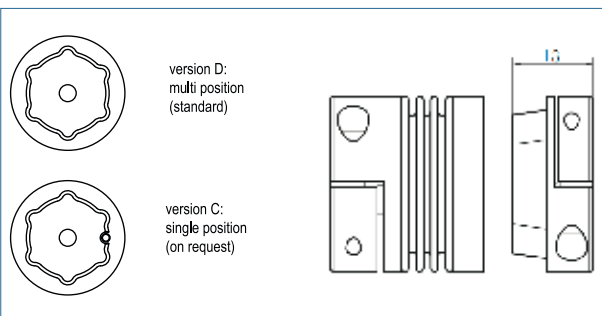
Options

Size	Torque TKN (Nm)	Dimensions (mm)									Technical Data							
		L	Ø A	Ø B	D1	D2	H	C1	C2	F	Mass (g)	Moment of Inertia J (g cm ²)	Spring Stiffness			Misalignment		
		Length	Outer Ø		Bore Size (H7) min-max	Bore Size (H7) min-max				Screw (ISO4762) TA (Nm)			torsional CT (Nm/rad)	radial CR (N/mm)	axial CA (N/mm)	radial Δ Kr (mm)	axial Δ Ka (mm)	angular Δ Kw (°)
5	0.5	25	15.5	17.5	3-8	3-8	5.2	2.5	2.5	M2	8.7	3.1	260	43	13	0.1	0.2	1
		29			8#					9.1	3.3	200	18	10	0.15	0.3	1.5	
		32			0.43					9.6	3.5	160	9	8	0.2	0.4	2	
10	1	27	15.5	17.5	3-8	3-8	5.2	2.5	2.5	M2	10.5	3.6	510	74	27	0.1	0.2	1
		30			8#					10.8	3.9	380	31	20	0.15	0.3	1.5	
		32			0.43					11.7	4.3	310	16	16	0.2	0.4	2	
15	1.5	30	20	21	3-10	3-10	7	3	3	M2.5	15.2	9.3	750	59	15	0.1	0.3	1.5
		35			10#	7#				0.85	17.5	10.8	700	20	9	0.15	0.4	2
20	2	37	25	27	3-14	3-14	9	3.5	3.5	M3	33.8	27.8	1500	67	12	0.15	0.3	1.5
		43			14#	10#				2	38.5	31.3	1300	21	11	0.2	0.4	1.5
		47			2	38.5				33.6	1050	11	9	0.25	0.5	2		
45	4.5	49	32.5	34	6-18	6-16	12	5	5	M4	71	116	6500	168	32	0.1	0.3	1.5
		58			18#	11#				3.5	78	129.9	4200	41	20	0.2	0.5	2
100	10	56	40.5	41.5	6-25	6-25	15.5	5	5	M4	100	270.3	8100	120	27	0.15	0.4	1.5
		66			25#	18#				4.5	123.5	336.4	6800	29	17	0.3	0.6	2



Speed	max. 15000 min ⁻¹
Material	bellows - stainless steel hub - aluminium
Hub	bore tolerance: H7
Temperature Range	-30 °C ~ 120 °C
Keyway	optional acc. DIN 6885 biggest bore marked with a #

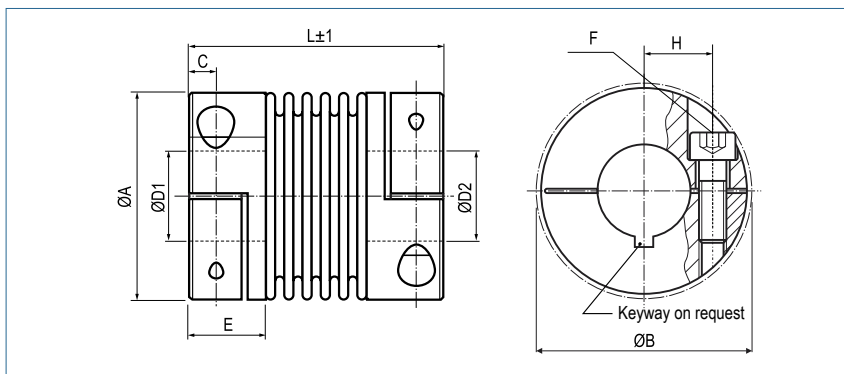
Size	Dimensions (mm)					
	E1	E2	L1	L2	L3	V
5	7	6	18	7	11	0.5
			22			
			25			
10	7	6	20	7	11	0.5
			23			
			25			
15	8.5	6.5	22.5	7.5	12.5	0.5
			27.5			
20	11	10	26	11	16	0.5
			32			
			36			
45	13	12	36	14	20	0.5
			45			
100	13.5	12	43	14	21	1
			53			



Miniature Metal Bellows Coupling

with stainless steel collet clamps

optional
laserwelded



Order Code

KB2 / 45 - 50 - 10 - 16 - VA/VAW

Type / Size Length L ØD1 (H7) ØD2 (H7) stainless steel glued / laserwelded

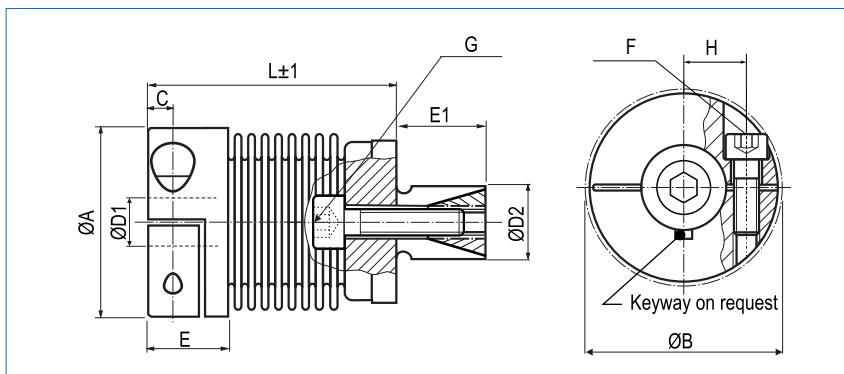
Size	Torque TKN (Nm)	Dimensions (mm)								Technical Data							
		L	Ø A	D1/D2	H	C	Ø B	E	F	Mass (g)	Moment of Inertia J (g cm ²)	Spring Stiffness			Misalignment		
		Length	Outer Ø	Bore Sizes (H7) min-max			Hub-length	Screw (ISO4762) TA (Nm)	torsional CT (Nm/rad)			radial CR (N/mm)	axial CA (N/mm)	radial ΔKr (mm)	axial ΔKa (mm)	angular ΔKw (°)	
1	0.1	25	10	1-4	3.4	2	11	7	M1.6	7	1	65	10	14	0.12	0.2	1.2
		0.1															
5	0.5	21	15.5	3-8	5.2	2.5	17.5	7	M2	18	5.9	260	43	13	0.1	0.2	1
		25		8#					18	6.2	200	18	10	0.15	0.3	1.5	
		28		0.43					19	6.6	160	9	8	0.2	0.4	2	
10	1	23	15.5	3-8	5.2	2.5	17.5	7	M2	19	6.8	510	74	27	0.1	0.2	1
		26		8#					20	7.5	380	31	20	0.15	0.3	1.5	
		31		0.43					21	8.1	310	16	16	0.2	0.4	2	
15	1.5	26	20	3-10	7	3	21	8,5	M2.5	36	18	750	59	15	0.1	0.3	1.5
		31		10#					38	21	700	20	9	0.15	0.4	2	
20	2	32	25	3-14	9	3.5	27	11	M3	70	53	1500	67	12	0.15	0.3	1.5
		38		14#					73	60	1300	21	11	0.2	0.4	1.5	
		42		2					75	64	1050	11	9	0.25	0.5	2	
45	4.5	41	32.5	6-18	11.5	5	34	13	M4	133	220	6500	168	32	0.1	0.3	1.5
		50		18#					139	246	4200	41	20	0.2	0.5	2	
100	10	47	40.5	6-25	15.5	5	41.5	13,5	M4	244	513	8100	120	27	0.15	0.4	1.5
		57		25#					261	638	6800	29	17	0.3	0.6	2	

Speed	max. 15000 min ⁻¹
Material	bellows - stainless steel hub - stainless Steel
Hub	bore tolerance: H7
Temperature Range	VA -30 °C ~ 120 °C (glued) VAW -30 °C ~ 250 °C (laserwelded)
Keyway	optional acc. DIN 6885 biggest bore marked with a #

Miniature Metal Bellows Coupling

with expanding clamps

optional
laserwelded
optional full stainless
steel version



Order Code

KB3 / 45 - 36 - 10 - 18 - (S)
 Type / Size Length L ØD1 (H7) ØD2 (f7) Options

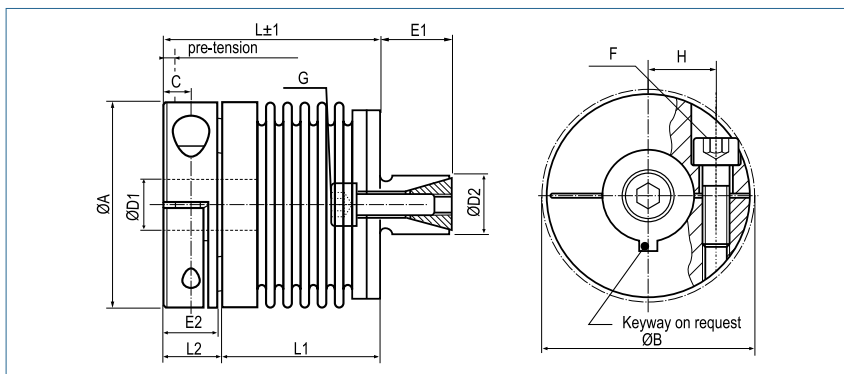
Size	Torque TKN (Nm)	Dimensions (mm)										Technical Data							
		L	Ø A	D1	D2	Ø B	H	C	E	E1	F/G	Mass (g)	Moment of Inertia J (g cm ²)	Spring Stiffness			Misalignment		
		Length	Outer Ø	Bore Size (H7) min~max	(f7) min~max						Screw (ISO4762) TA (Nm)			torsional CT (Nmrad)	radial CR (N/mm)	axial CA (N/mm)	radial ΔKr (mm)	axial ΔKa (mm)	angular ΔKw (°)
5	0.5	20	15.5	3-8	8-12	17,5	5.2	2.5	7	8	M2/M3	12.8	2.9	260	43	13	0.1	0.2	1
		24		8#							0.3/1	13.2	3.1	200	18	10	0.15	0.3	1.5
		27										13.5	3.2	160	9	8	0.2	0.4	2
10	1	22	15,5	3-8	8-12	17,5	5.2	2.5	7	8	M2/M3	14.1	3.3	510	74	27	0.1	0.2	1
		26		8#							0.3/1	14.6	3.4	380	31	20	0.15	0.3	1.5
		30										15.3	3.6	310	16	16	0.2	0.4	2
15	1.5	25	20	3-10	10-14	21	7	3	8,5	12	M2.5/M4	27.2	11	750	59	15	0.1	0.3	1.5
		29		10#							0.8/3	29.3	12	700	20	9	0.15	0.4	2
20	2	28	25	3-14	10-16	27	9	3.5	11	12	M3/M4	40.1	25	1500	67	12	0.15	0.3	1.5
		34		14#							1/3	43.2	29	1300	21	11	0.2	0.4	1.5
		38										49.1	30	1050	11	9	0.25	0.5	2
45	4.5	36	32.5	6-18	14-20	34	12	5	13	16	M4/M5	86.5	98	6500	168	32	0.1	0.3	1.5
		44		18#							3/5.9	92.9	110	4200	41	20	0.2	0.5	2
100	10	41	40.5	6-25	16-22	41,5	15.5	5	13,5	20	M4/M6	135	235	8100	120	27	0.15	0.4	1.5
		51		25#							3/10	154	292	6800	29	17	0.3	0.6	2

Speed	max. 15000 min ⁻¹
Material	bellows - stainless steel collet clamps - aluminium expanding clamps - steel
Hub	bore tolerance: H7
Temperature Range	-30 °C ~ 120 °C
Keyway	optional acc. DIN 6885 biggest bore marked with a #

Miniature Metal Bellows Coupling

axial pluggable, with expanding clamps

optional
laserwelded
optional full stainless
steel version



Order Code

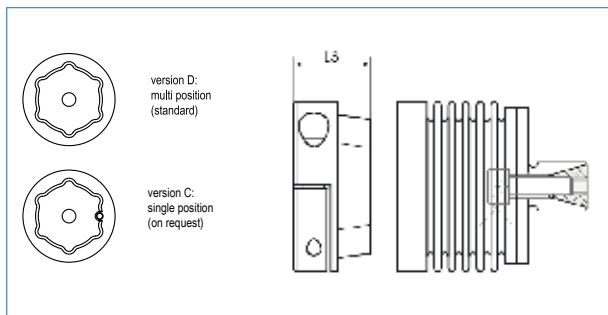
KB3P / 15 - 29 - 5 - 10 - D - (S)

Type / Size Length L ØD1 (H7) ØD2 (f7) Plug System Options

Size	Torque TKN (Nm)	Dimensions (mm)								Technical Data							
		L	Ø A	Ø B	D1	D2	H	C	F/G	Mass (g)	Moment of Inertia J (g cm ²)	Spring Stiffness			Misalignment		
		Length	Outer Ø		Bore Size (H7) min~max	(f7) min~max			Screw (ISO4762) TA (Nm)			torsional CT (Nm/rad)	radial CR (N/mm)	axial CA (N/mm)	radial Δ Kr (mm)	axial Δ Ka (mm)	angular Δ Kw (°)
5	0.5	24	15.5	17.5	3-8	8-12	5.2	2.5	M2/M3	14.9	3.4	260	43	13	0.1	0.2	1
		28							15.4	3.6	200	18	10	0.15	0.3	1.5	
		31							15.8	3.7	160	9	8	0.2	0.4	2	
10	1	26	15.5	17.5	3-8	8-12	5.2	2.5	M2/M3	16.4	3.8	510	74	27	0.1	0.2	1
		30							17	4	380	31	20	0.15	0.3	1.5	
		34							17.8	4.2	310	16	16	0.2	0.4	2	
15	1.5	29	20	21	3-10	10-14	7	3	M2.5/M4	31.7	12.8	750	59	15	0.1	0.3	1.5
		7#			0.85/3				34.1	14	700	20	9	0.15	0.4	2	
20	2	33	25	27	3-14	10-16	9	3.5	M3/M4	46.7	29.1	1500	67	12	0.15	0.3	1.5
		39							50.3	33.8	1300	21	11	0.2	0.4	1.5	
		43							57.2	34.9	1050	11	9	0.25	0.5	2	
45	4.5	43	32.5	34	6-16	14-20	12	5	M4/M5	100.7	114.1	6500	168	32	0.1	0.3	1.5
		11#			3.5/5.9				108.1	128	4200	41	20	0.2	0.5	2	
100	10	49	40.5	41.5	6-25	16-22	15.5	5	M4/M6	157.1	273.5	8100	120	27	0.15	0.4	1.5
		18#			4.5/10				179.3	339.9	6800	29	17	0.3	0.6	2	

Speed	max. 15000 min ⁻¹
Material	bellows - stainless steel collet clamps - aluminium expanding clamps - steel
Hub	bore tolerance: H7
Temperature Range	-30 °C ~ 120 °C
Keyway	optional acc. DIN 6885 biggest bore marked with a #

Size	Dimensions (mm)					
	E1	E2	L1	L2	L3	V
5	8	6	17	7	11	0.5
			21			
			24			
10	8	6	19	7	11	0.5
			23			
			27			
15	12	6.5	21.5	7.5	12.5	0.5
			25.5			
20	12	10	22	11	16	0.5
			28			
			32			
45	16	12	30	13	20	0.5
			38			
100	20	12	36	13	21	1
			46			



METAL BELLOWS COUPLINGS

KB4 | 18 ~ 1400

Metal Bellows Coupling
with collet clamps



P. 16

KB4AL | 80 ~ 500

Metal Bellows Coupling
with collet clamps



P. 17

KB4C | 18 ~ 500

Metal Bellows Coupling
with collet clamps, compact



P. 18

KB4F | 18 ~ 1400

Metal Bellows Coupling
for flange mounting



P. 19

KB4FA | 18 ~ 1400

Metal Bellows Coupling
with adapting flange



P. 20

KB4H | 18 ~ 1400

Metal Bellows Coupling
with split hubs



P. 21

KB4HC | 18 ~ 500

Metal Bellows Coupling
with split hubs



P. 22

KB4K | 40 ~ 1500

Metal Bellows Coupling
with collet clamps



P. 23

KB4LV | 18 ~ 500

Metal Bellows Coupling
length adjustable execution



P. 24

KB4P | 18 ~ 500

Metal Bellows Coupling
axial pluggable, with collet clamps



P. 25

KB4VA | 18 ~ 500

Metal Bellows Coupling
with stainless steel collet clamps



P. 26

KB5 | 18 ~ 5000

Metal Bellows Coupling
with inner conical hubs



P. 27

METAL BELLOWS COUPLINGS

KB6 | 18 ~ 5000

Metal Bellows Coupling
with outer conical hubs



P. 28

KB6P | 18 ~ 500

Metal Bellows Coupling
axial pluggable, with outer conical hubs



P. 29

KB7 | 18 ~ 5000

Metal Bellows Coupling
for flange mounting



P. 30

KB8 | 18 ~ 500

Metal Bellows Coupling
with expanding clamps



P. 31

KB8P | 18 ~ 500

Metal Bellows Coupling
axial pluggable, with expanding clamps

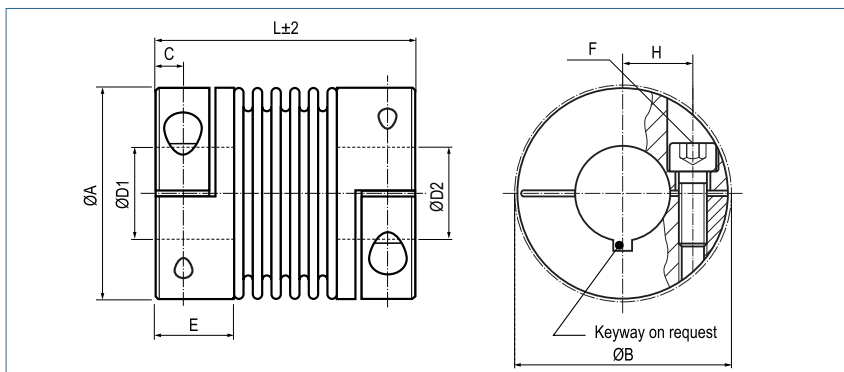


P. 32

Metal Bellows Coupling

with collet clamps

optional
laserwelded
optional full stainless
steel version



Order Code

KB4 / 60 - 89 - 12 - 32 - (S)

Type / Size

Length
L

ØD1
(H7)

ØD2
(H7)

Options

Size	Torque TKN (Nm)	Dimensions (mm)								Technical Data								
		L	Ø A	D1/D2	H	C	E	B	F	Mass (kg)	Moment of Inertia J (g m ²)	Spring Stiffness			Misalignment			max speed min-1
		Length	Outer Ø	Bore Sizes (H7) min-max					Screw (ISO4762) TA (Nm)			torsional CT 10 ³ (Nm/rad)	radial CR (N/mm)	axial CA (N/mm)	radial ΔKr (mm)	axial ΔKa (mm)	angular ΔKw (°)	
18	18	63	45	10-25.4	17	5.5	19.5	47.4	M5	0.1	0.04	20	205	50	0.2	0.5	1.5	12800
		71							8	0.15	0.05	15	82	36	0.25	0.5	2	12800
30	30	65	56	10-32	20	7.5	24.5	56.4	M6	0.3	0.15	38	720	50	0.15	0.6	1.5	10300
		73		15					0.32	0.16	28	225	28	0.25	1	2	10300	
60	60	79	66	12-35	23	10	29	66	M8	0.5	0.33	75	1150	90	0.15	0.6	1.5	8700
		89		40					0.6	0.36	50	340	50	0.25	1	2	8700	
80	80	91	82	14-44	28	11	33.5	82.9	M10	2.3	2.3	128	1200	80	0.2	0.5	1.5	6900
		102		84					2.4	2.4	75	400	50	0.25	0.8	2	6900	
150	150	91	82	19-44	28	11	33.5	82.9	M10	2.3	2.5	155	2020	145	0.2	0.5	1.5	6900
		102		84					2.4	2.6	105	595	85	0.25	0.8	2	6900	
200	200	101	90	22-47	31	13	38	90.8	M12	2.6	3.3	175	2500	145	0.2	0.5	1.5	6400
		113		125					2.7	3.5	120	460	82	0.25	0.8	2	6400	
300	300	105	110	30-60	40	13	38	110	M12	4.3	7.6	502	6300	280	0.2	0.5	1.5	6000
		116		145					4.4	7.8	285	1400	145	0.25	0.8	2	6000	
500	500	112	122	35-70	42	15	42	122	M12	5.5	13.5	690	7790	100	0.2	0.5	1.5	5000
		123		145					5.6	13.7	320	970	85	0.25	1	2	5000	
800	800	168	157	40-80	55	22.5	55	170.3	2xM20 400	14.3	56.9	1270	700	275	0.2	0.8	1.8	5000
1400	1400	168	157	50-80	55	22.5	55	170.3	2xM20 470	14.8	57.7	1270	700	275	0.2	0.8	1.8	5000

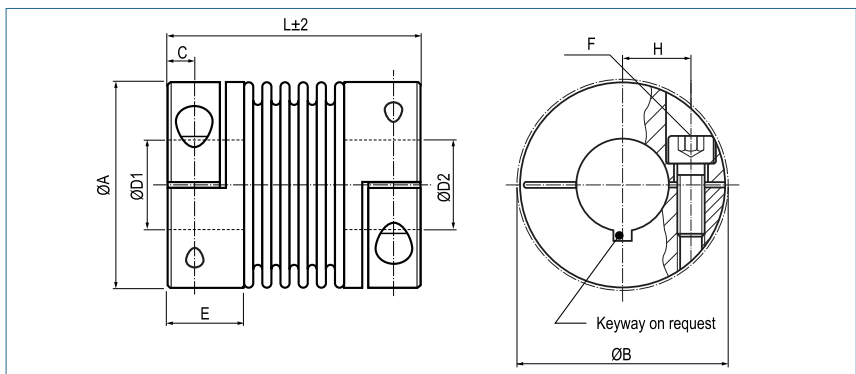
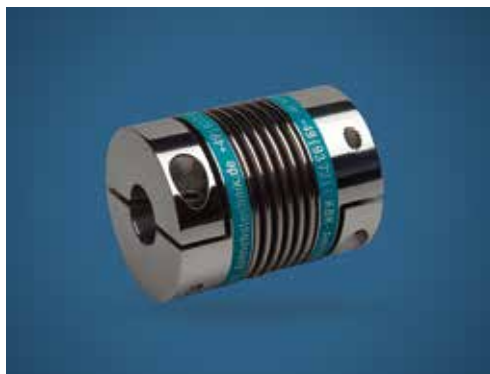


Material	bellows - stainless steel hub -size 18 - 60: aluminium hub - from size 80: steel
Hub	bore tolerance: H7
Temperature Range	-30 °C ~ 120 °C size 800/1400: -30 °C ~ 250 °C
Keyway	optional acc. DIN 6885 biggest bore marked with a #

optional
laserwelded
optional full stainless
steel version

Metal Bellows Coupling in aluminum

with collet clamps



Order Code

KB4AL / 80 - 91 - 15 - 20 - (S)

Type / Size

Length
L

ØD1
(H7)

ØD2
(H7)

Options

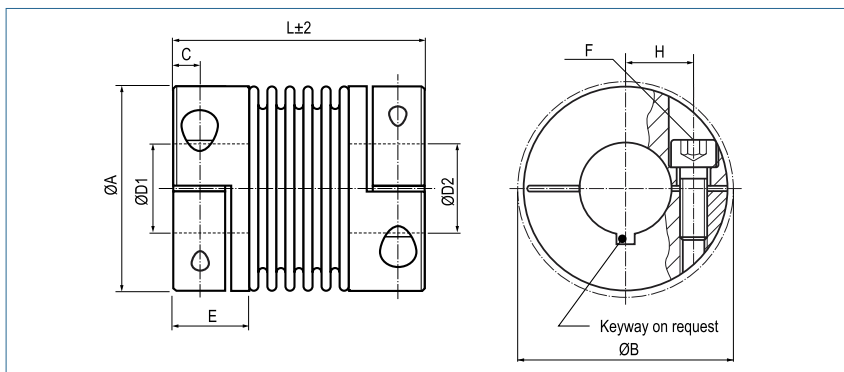
Size	Torque TKN (Nm)	Dimensions (mm)								Technical Data								
		L	Ø A	D1/D2	H	C	E		F	Mass (kg)	Moment of Inertia J (g m ²)	Spring Stiffness			Misalignment			max speed min ⁻¹
		Length	Outer Ø	Bore Sizes (H7) min~max				Screw (ISO4762) TA (Nm)	torsional CT 10 ³ (Nm/rad)			radial CR (N/mm)	axial CA (N/mm)	radial ΔKr (mm)	axial ΔKa (mm)	angular ΔKw (°)		
80	80	91	82	12-44	28	11	33.5	82.9	M10	0.8	0.90	128	1200	80	0.2	0.5	1.5	6900
		84							0.85	0.95	75	400	50	0.25	0.8	2	6900	
150	150	91	82	14-44	28	11	33.5	82.9	M10	0.9	1.0	155	2020	145	0.2	0.5	1.5	6900
		84							0.95	1.05	105	595	85	0.25	0.8	2	6900	
200	200	101	90	16-47	31	13	38	90.8	M12	1.17	1.49	175	2500	145	0.2	0.5	1.5	6400
		125							1.21	1.57	120	460	82	0.25	0.8	2	6400	
300	300	105	110	20-60	40	13	38	110	M12	1.62	3.28	502	6300	280	0.2	0.5	1.5	6000
		145							1.66	3.37	285	1400	145	0.25	0.8	2	6000	
500	500	112	122	25-70	42	15	42	122	M12	2.4	6.4	690	7790	100	0.2	0.5	1.5	5000
		145							2.5	6.7	320	970	85	0.25	1.0	2	5000	

Material	bellows - stainless steel hub - aluminium
Hub	bore tolerance: H7
Temperature Range	-30 °C ~ 120 °C
Keyway	optional acc. DIN 6885

Metal Bellows Coupling compact

with Collet Clamps

optional
laserwelded
optional full stainless
steel version



Order Code

KB4C / 60 - 67 - 12 - 32 - (S)

Type / Size

Length
L

ØD1
(H7)

ØD2
(H7)

Options

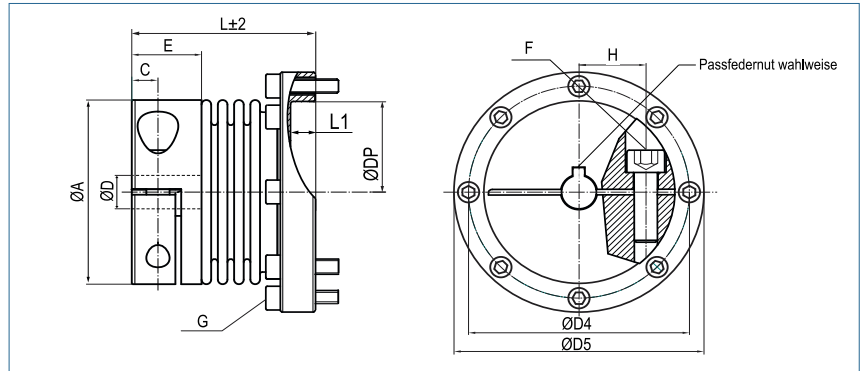
Size	Torque TKN (Nm)	Dimensions (mm)								Technical Data								
		L	Ø A	D1/D2	H	C	E	B	F	Mass (kg)	Moment of Inertia J (g m²)	Spring Stiffness			Misalignment			max. speed min-1
		Length	Outer Ø	Bore Sizes (H7) min~max					Screw (ISO4762) TA (Nm)			torsional CT 10³ (Nm/rad)	radial CR (N/mm)	axial CA (N/mm)	radial ΔKr (mm)	axial ΔKa (mm)	angular ΔKw (°)	
18	18	58	45	10-25.4	17	5.5	17.5	47.4	M5	0.07	0.03	20	205	50	0.2	0.5	1.5	12800
		8							0.12	0.04	15	82	36	0.25	0.5	2	12800	
30	30	58	56	10-32	20	7.3	21	56.4	M6	0.26	0.13	38	720	50	0.15	0.6	1.5	10300
		15		0.27				0.14	28	225	28	0.25	1	2	10300			
60	60	67	66	12-35	24	8.6	24	66.2	M8	0.38	0.28	75	1150	90	0.15	0.6	1.5	8700
		40		0.42				0.31	50	340	50	0.25	1	2	8700			
80	80	78	82	12-44	28	9.8	27	82.9	M10	0.70	0.78	128	1200	80	0.2	0.5	1.5	6900
		84		0.76				0.85	75	400	50	0.25	0.8	2	6900			
150	150	78	82	14-44	28	9.8	27	82.9	M10	0.73	0.82	155	2020	145	0.2	0.5	1.5	6900
		84		0.80				0.89	105	595	85	0.25	0.8	2	6900			
200	200	83	90	16-47	31	10.8	29	90.8	M12	0.89	1.19	175	2500	145	0.2	0.5	1.5	6400
		125		0.95				1.27	120	460	82	0.25	0.8	2	6400			
300	300	94	110	20-60	40	11.8	32.5	110	M12	1.37	2.74	502	6300	280	0.2	0.5	1.5	6000
		145		1.43				2.86	285	1400	145	0.25	0.8	2	6000			
500	500	100	122	25-70	42	13.3	36	122	M12	1.81	4.45	690	7790	100	0.2	0.5	1.5	5000
		145		1.91				4.69	320	970	85	0.25	1	2	5000			

Material	bellows - stainless steel hub - aluminium
Hub	bore tolerance: H7
Temperature Range	-30 °C ~ 120 °C
Keyway	optional acc. DIN 6885 biggest bore marked with a #

Metal Bellows Coupling

zum Flanschanbau

optional
laserwelded
optional full stainless
steel version



Order Code

KB4F / 150 - 85.5 - 30 - 80

Type / Size

Length
L

ØD
(H7)

DP

Size	Torque TKN (Nm)	Dimensions (mm)											Technical Data									
		L	L1	ØA	D1	H	C	E	D4	D5	DP	F	G	Mass (kg)	Moment of Inertia J (g m ²)	Spring Stiffness			Misalignment			max. speed (min ⁻¹)
				Bore Size (H7) min~max						H7	Screw ISO4762 TA (Nm)	Screw ISO4762 TA (nm)			torsional CT 10 ³ (Nm/rad)	radial CR (N/mm)	axial CA (N/mm)	radial ΔKr (mm)	axial ΔKa (mm)	angular ΔKw (°)		
18	18	57.5	7.5	45	10-25.4	17	5.5	17.5	56.5	63.5	44	M5	8xM4	0.24	0.13	20	205	50	0.2	0.5	1.5	12800
		66										8	4.5	0.26	0.13	15	82	36	0.25	0.5	2	
30	30	55.5	8.5	56	10-32	20	7.3	21	65	74	55	M6	8xM5	0.38	0.29	38	720	50	0.15	0.6	1.5	10300
		64			30#							15	8	0.40	0.29	28	225	28	0.25	1.0	2	
60	60	63	8.5	66	12-35	23	8.6	24	76	86	65	M8	8xM5	0.57	0.56	75	1150	90	0.15	0.6	1.5	8700
		74.5										40	8	0.62	0.58	50	340	50	0.25	1.0	2	
150	150	73.5	8.5	82	14-44	28	9.8	27	94	104	80	M10	8xM6	0.87	1.33	155	2020	145	0.2	0.5	1.5	6900
		85.5										84	15	0.92	1.34	105	595	85	0.25	0.8	2	
300	300	85.5	10	110	30-60	40	11.8	32.5	120	132	105	M12	12xM6	1.78	4.39	502	6300	280	0.2	0.5	1.5	6000
		96.5										145	15	1.88	4.42	285	1400	145	0.25	0.8	2	
500	500	91	10	122	35-70	42	13.3	36	142	155	130	M12	12xM8	2.15	6.98	690	7790	100	0.2	0.5	1.5	5000
		104										145	40	2.30	7.09	320	970	85	0.25	1	2	
1400	1400	130.5	11	157	50-80	55	22.5	55	171	184	152	2xM20	16xM8	9.07	38.07	1270	700	275	0.2	0.8	1.8	5000
												470	40									

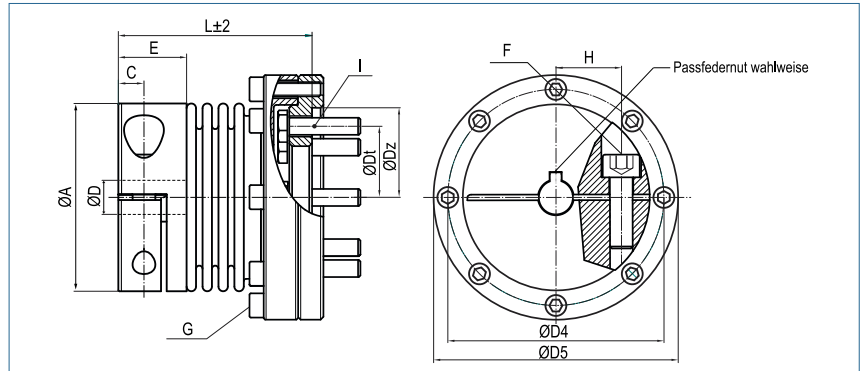


Material	bellows - stainless steel collet clamps - to Size 500: high-tensile aluminium collet clamps - Size 1400: Steel flanges - steel
Hub	bore tolerance: H7
Temperature Range	-30 °C ~ 120 °C -30 °C ~ 250 °C (Size 1400)
Keyway	optional acc. DIN 6885 biggest bore marked with a #

Metal Bellows Coupling

mit Adapterflansch

optional
laserwelded
optional full stainless
steel version



Order Code

KB4FA / 150 - 79 - 30 - 63

Type / Size

Length
L

ØD
(H7)

Dt

Size	Torque TKN (Nm)	Dimensions (mm)								Technical Data								
		L	Ø A	D1	H	C	E	D4	F	Mass (kg)	Moment of Inertia J (g m²)	Spring Stiffness			Misalignment			max. speed (min-1)
		Länge	Outer	Bore Size (H7) min-max					Screw (ISO4762) TA (Nm)			torsional CT 10² (Nm/rad)	radial CR (N/mm)	axial CA (N/mm)	radial ΔKr (mm)	axial ΔKa (mm)	angular ΔKw (°)	
18	18	63	45	10-25.4	17	5.5	17.5	56.5	M5	0.50	0.15	20	205	50	0.2	0.5	1.5	12800
		8							15									
30	30	61	56	10-32	20	7.3	21	65	M6	0.70	0.20	38	720	50	0.15	0.6	1.5	10300
		15		28					225									
60	60	68	66	12-35	23	8.6	24	76	M8	1.00	0.65	75	1150	90	0.15	0.6	1.5	8700
		40							50									
150	150	79	82	14-44	28	9.8	27	94	M10	1.65	1.30	155	2020	145	0.2	0.5	1.5	6900
		84							105									
300	300	90	110	30-60	40	11.8	32.5	120	M12	2.90	5.50	502	6300	280	0.2	0.5	1.5	6000
		145							285									
500	500	100	122	35-70	42	13.3	36	142	M12	4.55	9.00	690	7790	100	0.2	0.5	1.5	5000
		145							320									
1400	1400	140	157	50-80	55	22.5	55	171	2xM20 470	10.50	45	1270	700	275	0.2	0.8	1.8	5000



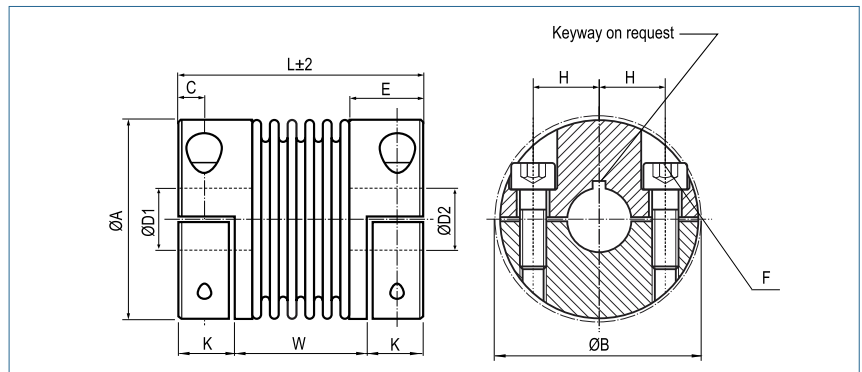
Material	bellows - stainless steel collet clamps - to Size 500: high-tensile aluminium collet clamps - Size 1400: Steel flanges - steel
Hub	bore tolerance: H7
Temperature Range	-30 °C ~ 120 °C -30 °C ~ 250 °C (Size 1400)
Keyway	optional acc. DIN 6885 biggest bore marked with a #

Size	Dimensions (mm)				
	G	D5	Dt	Dz	I
	Screw (ISO4762) / TA (Nm)		PCD	H7	Screw (ISO4017) / TA (Nm)
18	8 x M4 / 4.5Nm	63.5	31.5	40	8 x M5 / 7.6Nm
30	8 x M5 / 8Nm	74	40	50	8 x M6 / 13.2Nm
60	8 x M5 / 8Nm	86	50	63	8 x M6 / 13.2Nm
150	8 x M6 / 15Nm	104	63	80	12 x M6 / 13.2Nm
300	12 x M6 / 15Nm	132	80	100	12 x M8 / 31.8Nm
500	12 x M8 / 40Nm	155	100	130	12 x M10 / 63Nm
1400	16 x M8 / 40Nm	184	125	160	12 x M10 / 63Nm

Metal Bellows Coupling

with split hubs

optional
laserwelded
optional full stainless
steel version



Order Code

KB4H / 60 - 83 - 20 - 20 - (S)

Type / Size

Length
L

ØD1
(H7)

ØD2
(H7)

Options

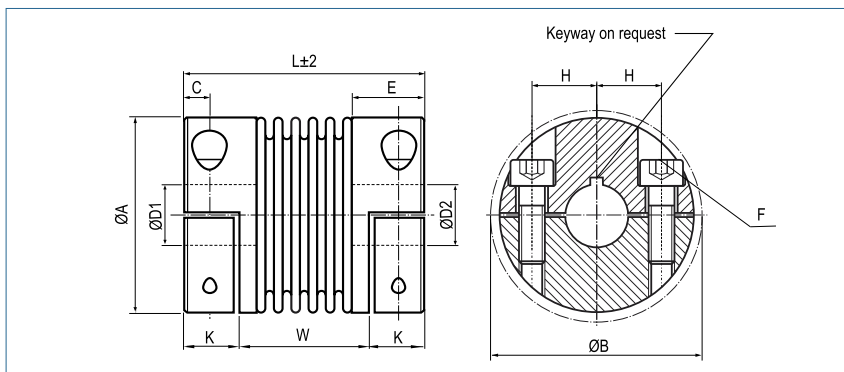
Size	Torque TKN (Nm)	Dimensions (mm)										Technical Data								
		L	Ø A	D1/D2	H	C	E	W	K	B	F	Mass (kg)	Moment of Inertia J (g m ²)	Spring Stiffness			Misalignment			max. speed (min-1)
		Length (±2)	Outer Ø	Bore Sizes (H7) min-max							Screw (ISO4762) TA (Nm)			torsional CT 10 ³ (Nm/rad)	radial CR (N/mm)	axial CA (N/mm)	radial ΔKr (mm)	axial ΔKa (mm)	angular ΔKw (°)	
18	18	63	45	10-25.4	17	5.5	19.5	37	13	47.4	M5	0.1	0.04	20	205	50	0.2	0.5	1.5	12800
		71						45												
30	30	69	56	10-32 30#	20	7.5	27	35	17	56.4	M6	0.3	0.14	38	720	50	0.15	0.6	1.5	10300
		77						43												
60	60	83	66	12-35	23	9.5	31	41	21	66.2	M8	0.5	0.28	75	1150	90	0.15	0.6	1.5	8700
		93						51												
80	80	94	82	12-44	28	11	36	47	23.5	82.9	M10	0.9	0.65	128	1200	80	0.2	0.5	1.5	6900
		106						59												
150	150	95	82	14-44	28	11	36	48	23.5	82.9	M10	0.9	0.82	155	2020	145	0.2	0.5	1.5	6900
		107						60												
200	200	105	90	16-47	31	12.5	41	51	27	90.8	M12	1.3	2.2	175	2500	145	0.2	0.5	1.5	6400
		117						63												
300	300	111	110	20-60	40	13	41	55	28	110	M12	1.8	4.2	502	6300	280	0.2	0.5	1.5	6000
		125						69												
500	500	133	122	25-70	42	15	51	62	35.5	122	M12	2.50	8.6	690	7790	100	0.2	0.5	1.5	5000
		146						75												
800	800	168	157	40-80	55	22.5	66.5	77	45.5	168	M20	14.8	57.65	1270	700	275	0.2	0.8	1.8	5000
											400									
1400	1400	168	157	50-80	55	22.5	66.5	77	45.5	168	M20	15.3	58.70	1270	700	275	0.2	0.8	1.8	5000
											400									

Material	bellows - stainless steel hub - to size 500: aluminium hub - from size 800: steel
Hub	bore tolerance: H7
Temperature Range	-30 °C ~ 120 °C size 800/1400: -30 °C ~ 250 °C
Keyway	optional acc. DIN 6885 biggest bore marked with a #

Metal Bellows Coupling

with split hubs, compact

optional
laserwelded
optional full stainless
steel version



Order Code

KB4HC / 60 - 67 - 20 - 20 - (S)

Type / Size

Length
L

ØD1
(H7)

ØD2
(H7)

Options

Size	Torque TKN (Nm)	Dimensions (mm)										Technical Data								
		L Length	Ø A Outer Ø	D1/D2 Bore Sizes (H7) min~max	H	C	E	W	K	B	F Screw (ISO4762) TA (Nm)	Mass (kg)	Moment of Inertia J (g m ²)	Spring Stiffness			Misalignment			max. speed (min ⁻¹)
													torsional CT 10 ³ (Nm/rad)	radial CR (N/mm)	axial CA (N/mm)	radial ΔKr (mm)	axial ΔKa (mm)	angular ΔKw (°)		
18	18	58	45	10-25.4	17	5.5	17.5	36	11	47.4	M5	0.07	0.03	20	205	50	0.2	0.5	1.5	12800
		66						44				8	0.12	0.04	15	82	36	0.25	0.5	2
30	30	58	56	10-32	20	7.3	21	31	13.5	56.4	M6	0.26	0.13	38	720	50	0.15	0.6	1.5	10300
		66		39				15			0.27	0.14	28	225	28	0.25	1	2	10300	
60	60	67	66	12-35	23	8.6	24	33	17	66.2	M8	0.38	0.28	75	1150	90	0.15	0.6	1.5	8700
		77						43			40	0.42	0.31	50	340	50	0.25	1	2	8700
80	80	78	82	12-44	28	9.8	27	42	18	82.9	M10	0.70	0.78	128	1200	80	0.2	0.5	1.5	6900
		89						53			84	0.76	0.85	75	400	50	0.25	0.8	2	6900
150	150	78	82	14-44	28	9.8	27	42	18	82.9	M10	0.73	0.82	155	2020	145	0.2	0.5	1.5	6900
		89						53			84	0.80	0.89	105	595	85	0.25	0.8	2	6900
200	200	83	90	16-47	31	10.8	29	43	20	90.8	M12	0.89	1.19	175	2500	145	0.2	0.5	1.5	6400
		94						54			125	0.95	1.27	120	460	82	0.25	0.8	2	6400
300	300	94	110	20-60	40	11.8	32.5	50	22	110	M12	1.37	2.74	502	6300	280	0.2	0.5	1.5	6000
		105						61			145	1.43	2.86	285	1400	145	0.25	0.8	2	6000
500	500	100	122	25-70	42	13.3	36	48	26	122	M12	1.81	4.45	690	7790	100	0.2	0.5	1.5	5000
		111						59			145	1.91	4.69	320	970	85	0.25	1	2	5000

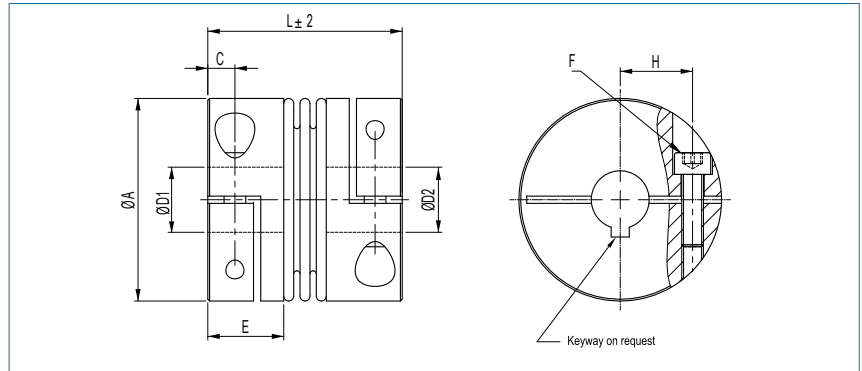
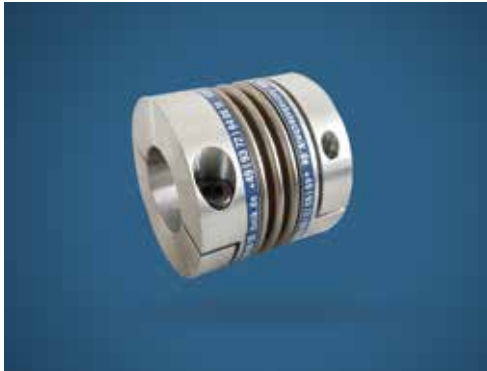


Material	bellows - stainless steel hub - aluminium
Hub	bore tolerance: H7
Temperature Range	-30 °C ~ 120 °C
Keyway	optional acc. DIN 6885 biggest bore marked with a #

Metal Bellows Coupling

with collet clamps

optional
laserwelded
optional full stainless
steel version



Order Code

KB4K / 400 - 75 - 44 - 40 - (S)

Type / Size

Length
L

ØD1
(H7)

ØD2
(H7)

Options

Size	Torque TKN (Nm)	Dimensions (mm)						Technical Data									
		L Length	Ø A Outer	D1/D2 Bore Sizes (H7) min-max	H	C	E	F Screw (ISO4762) TA (Nm)	Mass (kg)	Moment of Inertia J (g m²)	Spring Stiffness			Misalignment			max. speed min-1
										torsional CT 10³ (Nm/rad)	radial CR (N/mm)	axial CA (N/mm)	radial ΔKr (mm)	axial ΔKa (mm)	angula ΔKw (°)		
10	10	35	32.5	6-18	12	5	13	M4 3.5	0.06	0.008	9	1518	63	0.05	0.5	0.5	15000
20	20	39	40.5	6-25	15.5	5	13.5	M4 4.5	0.09	0.02	15	1208	65	0.05	0.5	0.5	15000
40	40	46	45	10-25.4	17	5.5	17.5	M5 8	0.07	0.04	35	3350	97	0.05	0.5	0.5	12800
80	80	55	56	12-32 30#	20	7.3	21	M6 15	0.26	0.14	53	6436	165	0.05	0.5	0.5	10300
200	200	60	66	16-35	23	8.6	23	M8 40	0.38	0.28	138*	12442	287	0.1	1	0.5	8700
400	400	75	82	32-44	28	9.8	27	M10 84	0.70	0.82	176	6815	338	0.1	1	0.5	6900
650	650	78	90	37-47	31	10.8	29	M12 125	0.89	1.19	230	7910	386	0.1	1.5	1	6400
1000	1000	84	110	42-60	40	11.8	32.5	M12 145	1.37	2.74	579	29096	756	0.1	1.5	1	6000
1500	1500	96	122	50-70	42	13.3	36	M12 145	1.81	4.45	693	20694	639	0.1	1.5	1	5000

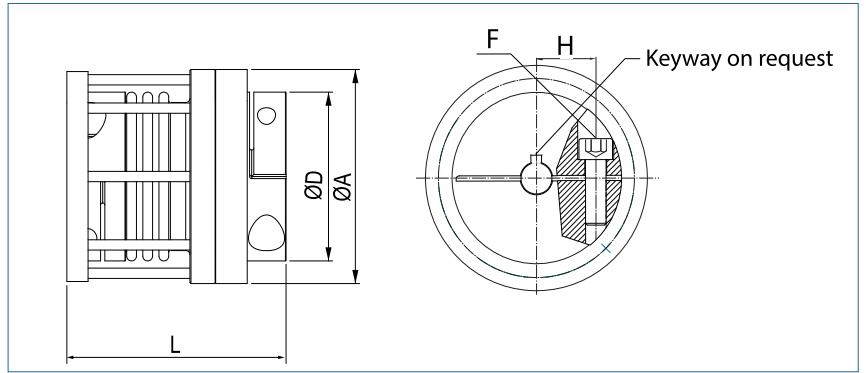
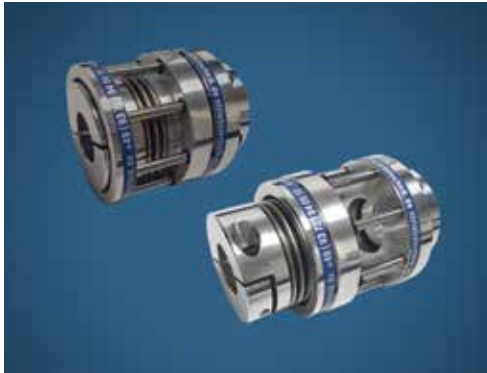


Material	bellows - stainless steel hub - aluminium
Hub	bore tolerance: H7
Temperature Range	-30 °C ~ 120 °C
Keyway	optional acc. DIN 6885 biggest bore marked with a # *2-convolution bellows

optional
laserwelded
optional full stainless
steel version

Metal Bellows Coupling

length adjustable execution



Order Code

KB4LV / 60 - 87 - 12 - 32 - (S)

Type / Size

Length
L

ØD1
(H7)

ØD2
(H7)

Options

Size	Torque TKN (Nm)	Dimensions (mm)									Technical Data								
		L Length	L1 max. Length	Ø D Hub diameter	Ø A Outer Ø	D1/D2 Bore Sizes (H7) min~max	H	C	E	F Screw ISO4762 TA (Nm)	Mass (kg)	Moment of Inertia J (g m²)	Spring Stiffness			Misalignment			max speed min-1
												torsional CT 10³ (Nm/rad)	radial CR (N/mm)	axial CA (N/mm)	radial ΔKr (mm)	axial ΔKa (mm)	angular ΔKw (°)		
18	18	69.5	100	45	63	10-25.4	17	5.5	17.5	M5 8	0.25	0.15	35	3350	97	0.1	0.5	0.5	12800
30	30	82.5	115	56	74	10-32 30#	20	7.3	21	M6 15	0.5	0.37	53	6436	165	0.1	0.5	0.5	10300
60	60	87	120	66	86	12-35	24	8.6	24	M8 40	0.78	3.88	138*	12442	287	0.15	1	0.5	8700
150	150	102	150	82	104	14-44	28	9.8	27	M10 84	1.1	1.56	176	6815	338	0.15	1	0.5	6900
300	300	119	179	110	132	20-60	40	11.8	32.5	M12 145	2.2	5.32	579	29096	756	0.15	1.5	1	6000
500	500	129.5	190	122	155	25-70	42	13.3	36	M12 145	3.25	10.14	693	20694	639	0.15	1.5	1	5000



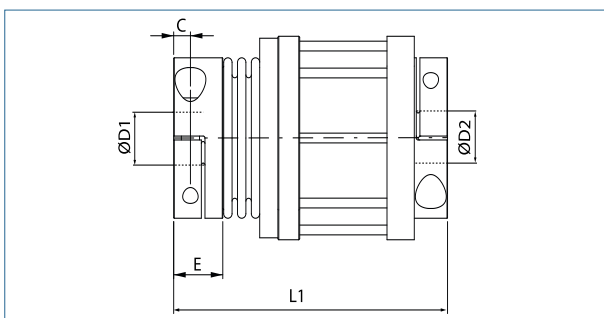
Material bellows - stainless steel
hub - aluminium

Hub bore tolerance: H7

Temperature Range -30 °C ~ 120 °C

Keyway optional acc. DIN 6885
biggest bore marked with a #

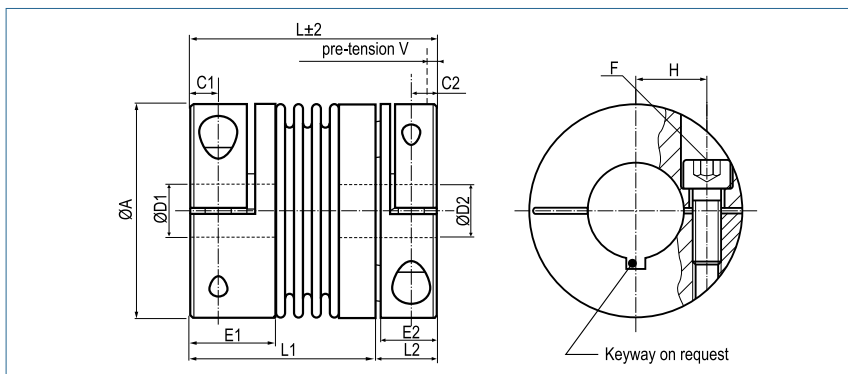
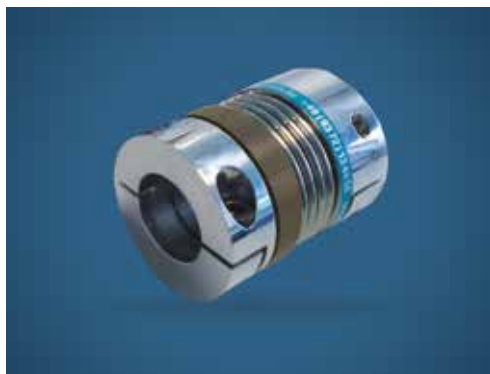
* *2-convolution bellows



Metal Bellows Coupling

axial pluggable, with collet clamps

optional
laserwelded
optional full stainless
steel version



Order Code

KB4P / 150 - 95 - 44 - 28 - D - (S)

Type / Size

Length
L

ØD1
(H7)

ØD2
(H7)

Plug System

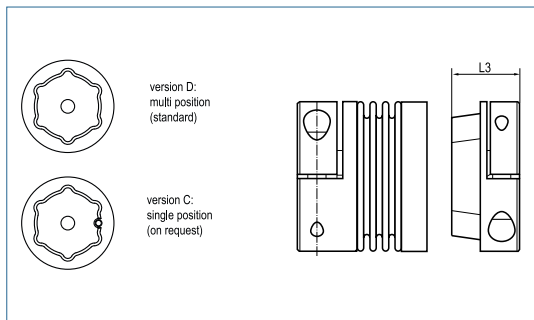
Options

Size	Torque TKN (Nm)	Dimensions (mm)										Technical Data								
		L Length	Ø A Outer Ø	D1/D2 Bore Sizes (H7) min-max	H	C1	C2	E1	E2	B	F	Screw (ISO4762) TA (Nm)	Mass (kg)	Moment of Inertia J (g m ²)	Spring Stiffness			Misalignment		
													torsional CT 10° (Nm/rad)	radial CR (N/mm)	axial CA (N/mm)	radial ΔKr (mm)	axial ΔKa (mm)	angular ΔKw (°)		
18	18	62	45	10-24	17	5.5	5.5	17.5	12	47.4	M5	0.14	0.05	20	205	50	0.2	0.5	1.5	12800
		70									8	0.19	0.06	15	82	36	0.25	0.5	2	
30	30	73	56	10-30	20	7.5	7.3	24.5	17	56.4	M6	0.29	0.14	38	720	50	0.15	0.6	1.5	10300
		81									15	0.31	0.15	28	225	28	0.25	1.0	2	
60	60	85	66	12-35	23	10	8.6	29	21	66	M8	0.47	0.33	75	1150	90	0.15	0.6	1.5	8700
		95									40	0.57	0.36	50	340	50	0.25	1.0	2	
80	80	95	82	12-44	28	11	9.8	33.5	21.5	82.9	M10	0.81	0.89	128	1200	80	0.2	0.5	1.5	6900
		106									84	0.90	0.99	75	400	50	0.25	0.8	2	
150	150	95	82	14-44	28	11	9.8	33.5	21.5	82.9	M10	0.91	1.08	155	2020	145	0.2	0.5	1.5	6900
		106									84	1.00	1.18	105	595	85	0.25	0.8	2	
200	200	105	90	16-47	31	13	10.8	38	24	90.8	M12	1.16	1.47	175	2500	145	0.2	0.5	1.5	6400
		117									125	1.26	1.67	120	460	82	0.25	0.8	2	
300	300	114	110	20-60	40	13	10.8	38	27	110	M12	1.68	3.33	502	6300	280	0.2	0.5	1.5	6000
		125									145	1.78	3.53	285	1400	145	0.25	0.8	2	
500	500	136	122	25-70	42	15	13.3	42	42	122	M12	2.50	6.21	690	7790	100	0.2	0.5	1.5	5000
		147									145	2.60	6.41	320	970	85	0.25	1.0	2	



Material	bellows – stainless steel hub - high-tensile aluminium
Hub	bore tolerance: H7
Keyway	optional acc. DIN 6885
Temperature Range	-30 °C ~ 120 °C

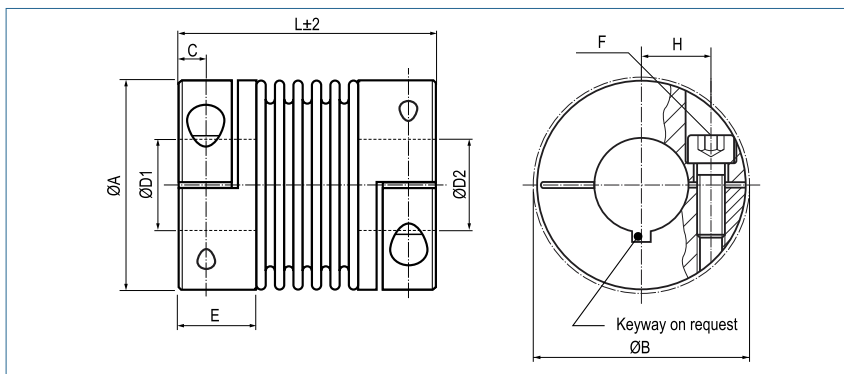
Size	Dimensions (mm)			
	L1	L2	L3	V
18	48	14	22	0.5-1.0
	56			
30	54	19	31	0.5-1.0
	62			
60	62	23	35	0.5-1.5
	72			
80	71.5	23.5	37.5	0.5-1.5
	82.5			
150	71.5	23.5	37.5	0.5-1.5
	82.5			
200	79	26	42	0.5-1.5
	91			
300	85	29	47	0.5-1.5
	96			
500	92	44	66	0.5-2.0
	103			



Metal Bellows Coupling

with stainless steel collet clamps

optional
laserwelded



Order Code

KB4 / 60 - 89 - 12 - 32 - VA/VAW

Type / Size Length L ØD1 (H7) ØD2 (H7) Stainless Steel glued / laserwelded

Size	Torque TKN (Nm)	Dimensions (mm)								Technical Data								
		L	Ø A	D1/D2	H	C	E	B	F	Mass (kg)	Moment of Inertia J (g m²)	Spring Stiffness			Misalignment			max speed min-1
		Length	Outer Ø	Bore Sizes (H7) min-max					Screw (ISO4762) TA (Nm)			torsional CT 10³ (Nm/rad)	radial CR (N/mm)	axial CA (N/mm)	radial ΔKr (mm)	axial ΔKa (mm)	angular ΔKw (°)	
18	18	63	45	10-25.4	17	5.5	19.5	47.4	M5	0.27	0.11	20	205	50	0.2	0.5	1.5	12800
		71							8	0.41	0.14	15	82	36	0.25	0.5	2	12800
30	30	65	56	10-32	20	7.5	24.5	56.4	M6	0.83	0.41	38	720	50	0.15	0.6	1.5	10300
		73		#30					15	0.89	0.44	28	225	28	0.25	1	2	10300
60	60	79	66	12-35	23	10	29	66	M8	1.4	0.91	75	1150	90	0.15	0.6	1.5	8700
		89							40	1.7	1.00	50	340	50	0.25	1	2	8700
80	80	91	82	14-44	28	11	33.5	82.9	M10	2.3	2	128	1200	80	0.2	0.5	1.5	6900
		102							84	2.4	2.1	75	400	50	0.25	0.8	2	6900
150	150	91	82	19-44	28	11	33.5	82.9	M10	2.3	2	155	2020	145	0.2	0.5	1.5	6900
		102							84	2.4	2.1	105	595	85	0.25	0.8	2	6900
200	200	101	90	22-47	31	13	38	90.8	M12	2.6	3.3	175	2500	145	0.2	0.5	1.5	6400
		113							125	2.7	3.5	120	460	82	0.25	0.8	2	6400
300	300	105	110	30-60	40	13	38	110	M12	3.6	7.3	502	6300	280	0.2	0.5	1.5	6000
		116							145	3.7	7.5	285	1400	145	0.25	0.8	2	6000
500	500	112	122	35-70	42	15	42	122	M12	5.1	12.4	690	7790	100	0.2	0.5	1.5	5000
		123							145	5.2	12.7	320	970	85	0.25	1	2	5000

+

Material bellows - stainless steel
 hub - stainless steel

Hub bore tolerance: H7

Temperature Range VA -30 °C ~ 120 °C (glued)
 VAW -30 °C ~ 250 °C (laserwelded)

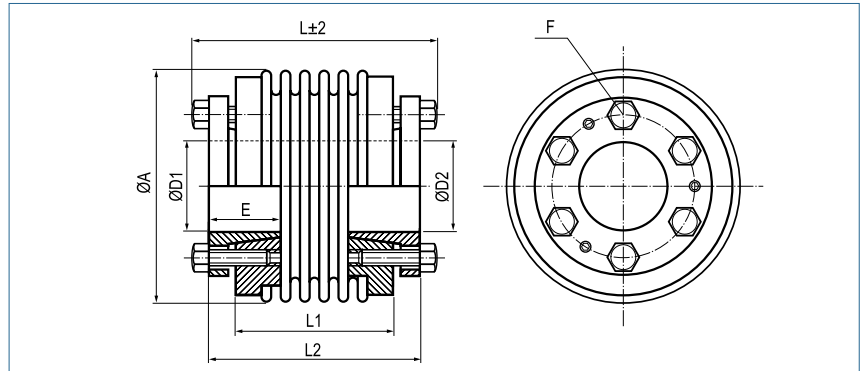
Keyway optional acc. DIN 6885
 biggest bore marked with a #

Metal Bellows Coupling

with inner conical hubs

optional
laserwelded
optional full stainless
steel version

optional chem.
nickel-plated



Order Code

KB5 / 60 - 73 - 20 - 25 - (S)

Type / Size

Length
L

ØD1
(H7)

ØD2
(H7)

Options

Size	Torque TKN (Nm)	Dimensions (mm)							Technical Data								
		L	Ø A	D1/D2	E	L1	L2	F	Mass (kg)	Moment of Inertia J (g m ²)	Spring Stiffness			Misalignment			max. speed (min-1)
		Length (±2)	Outer Ø	Bore Sizes (H7) min~max	Hub- length			Screw (ISO4017) TA (Nm)			torsional CT 10 ³ (Nm/rad)	radial CR (N/mm)	axial CA (N/mm)	radial ΔKr (mm)	axial ΔKa (mm)	angular ΔKw (°)	
18	18	63	45	10-18	20	38	56	4xM5	0.36	0.075	20	205	50	0.2	0.5	1.5	11500
		71				46	64	4.5	0.37	0.078	15	82	36	0.25	0.5	2	
30	30	53	56	12-20	20	30	46	6xM5	0.4	0.11	38	720	50	0.15	0.6	1.5	11000
		61				38	54	4.5	0.42	0.12	28	225	25	0.25	1	2	
60	60	62	66	15-25	25	36	54	6xM6	0.77	0.32	75	1150	90	0.15	0.6	1.5	9100
		73				47	65	8.5	0.79	0.34	50	340	50	0.25	1	2	
80	80	78	82	20-35	30	50	70	6xM6	1.34	1.05	128	1200	80	0.2	0.5	1.5	7000
		90				62	82	10	1.39	1.11	75	400	50	0.25	0.8	2	
150	150	78	82	20-35	30	50	70	6xM6	1.36	1.15	155	2020	145	0.2	0.5	1.5	7000
		90				62	82	15	1.41	1.21	105	595	85	0.25	0.8	2	
200	200	78	90	20-40	30	50	70	6xM6	1.59	1.39	175	2500	145	0.2	0.5	1.5	6700
		91				63	83	15	1.66	1.49	120	460	82	0.25	1	2	
300	300	90	110	25-50	37	56	80	6xM8	3.26	4.66	502	6300	280	0.2	0.5	1.5	5200
		102				67	91	17	3.32	4.81	285	1400	145	0.25	1	2	
500	500	101	122	35-55	40	66	90	6xM8	3.78	6.11	690	7790	100	0.2	0.5	1.5	4600
		112				77	101	25	3.87	6.38	320	970	85	0.25	1	2	
800	800	170	157	50-70	60	110	150	6xM16 45	9.05	24.05	760	500	185	0.2	0.8	1.8	3700
1400	1400	170	157	50-70	60	110	150	6xM16 80	9.15	24.2	1270	700	275	0.2	0.8	1.8	3700
3000	3000	206	157	55-85	60	150	190	6xM12 85	9.43	25.7	2810	29450	1300	0.2	0.8	1.5	2800
5000	5000	206	208	60-95	80	146	186	6xM16 210	19.9	96.7	4810	4915	505	0.2	0.8	1.5	2800

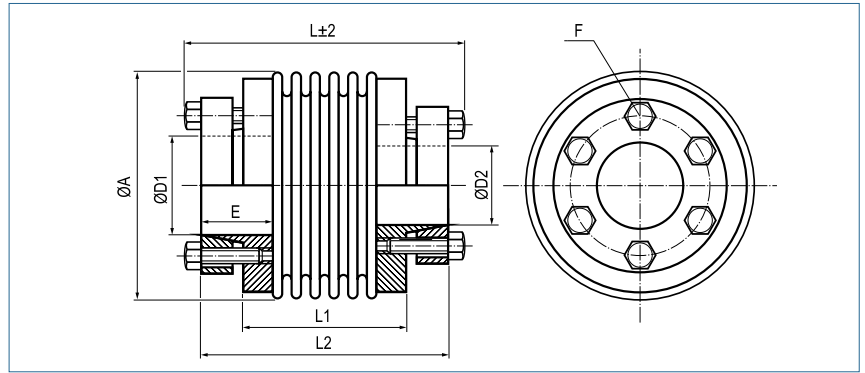
Material	bellows – stainless steel hub - steel
Hub	bore tolerance: H7
Temperature Range	-30 °C ~ 120 °C size 800/1400: -30 °C ~ 250 °C

Metal Bellows Coupling

with outer conical hubs

optional
laserwelded
optional full stainless
steel version

optional chem.
nickel-plated



Order Code

KB6 / 60 - 78 - 20 - 32 - (S)

Type / Size

Length
L

ØD1
(H7)

ØD2
(H7)

Options

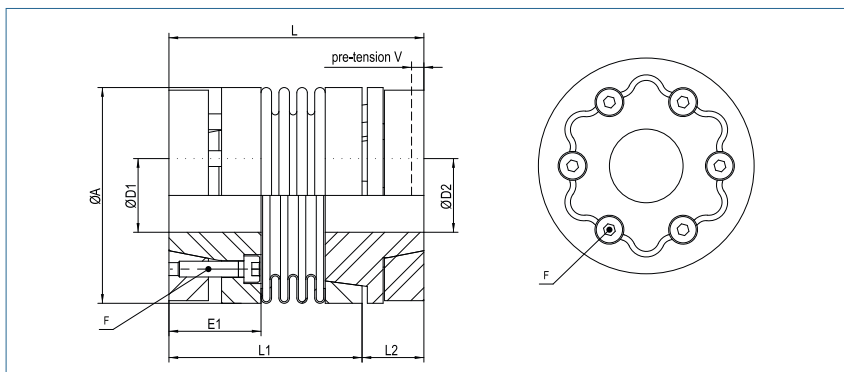
Size	Torque TKN (Nm)	Dimensions (mm)							Technical Data								
		L	Ø A	D1/D2	E	L1	L2	F	Mass (kg)	Moment of Inertia J (g m ²)	Spring Stiffness			Misalignment			max. speed (min-1)
		Length	Outer Ø	Bore Sizes (H7) min-max	Hub- length			Screw (ISO4017) TA (Nm)			torsional CT 10 ³ (Nm/rad)	radial CR (N/mm)	axial CA (N/mm)	radial ΔKr (mm)	axial ΔKa (mm)	angular ΔKw (°)	
18	18	65	45	8-15	16.5	37	58	4x M5	0.3	0.081	20	205	50	0.2	0.5	1.5	11500
		73				45	66	5.9	0.31	0.084	15	82	36	0.25	0.5	2	
30	30	60	56	12-20	18	31	53	6x M5	0.37	0.13	38	720	50	0.15	0.6	1.5	11000
		68				39	61	5.9	0.39	0.14	28	225	25	0.25	1	2	
60	60	78	66	15-32	25	36	71	6x M5	0.76	0.46	75	1150	90	0.15	0.6	1.5	9100
		89				47	82	8.7	0.79	0.49	50	340	50	0.25	1	2	
80	80	95	82	20-35	31	50	87	6x M6	1.57	1.37	128	1200	80	0.2	0.5	1.5	7000
		107				62	99	15	1.62	1.43	75	400	50	0.25	0.8	2	
150	150	95	82	20-35	31	50	87	6x M6	1.59	1.39	155	2020	145	0.2	0.5	1.5	7000
		107				62	99	15	1.64	1.45	105	595	85	0.25	0.8	2	
200	200	95	90	20-42	31	50	87	6x M6	1.6	1.64	175	2500	145	0.2	0.5	1.5	6700
		108				63	100	15	1.67	1.74	120	460	82	0.25	1	2	
300	300	108	110	25-50	34	57	98	6x M8	2.83	4.52	502	6300	280	0.2	0.5	1.5	5200
		120				68	109	25	2.89	4.68	285	1400	145	0.25	1	2	
500	500	122	122	35-55	41	59	112	6x M8	3.89	7.04	690	7790	100	0.2	0.5	1.5	4600
		134				70	123	36	3.98	7.31	320	970	85	0.25	1	2	
800	800	184	157	50-70	50	108	169	6x M12 85	8.87	24.9	760	500	185	0.2	0.8	1.8	3700
1400	1400	184	157	50-70	50	108	169	6x M12 115	8.92	25.2	1270	700	275	0.2	0.8	1.8	3700
3000	3000	220	157	55-75	60	146	204	6x M12 125	10.9	30.9	2810	2945	305	0.2	0.8	1.5	2800
5000	5000	245	208	60-90	55	146	225	6x M16 210	27.7	144.4	4810	4915	505	0.2	0.8	1.5	2800

Material	bellows – stainless steel hub - steel
Hub	bore tolerance: H7
Temperature Range	-30 °C ~ 120 °C size 800/1400: -30 °C ~ 250 °C

Metal Bellows Coupling

axial pluggable, with outer conical hubs

optional
laserwelded
optional full stainless
steel version



Order Code

KB6P / 60 - 79 - 20 - 15 - D - (S)

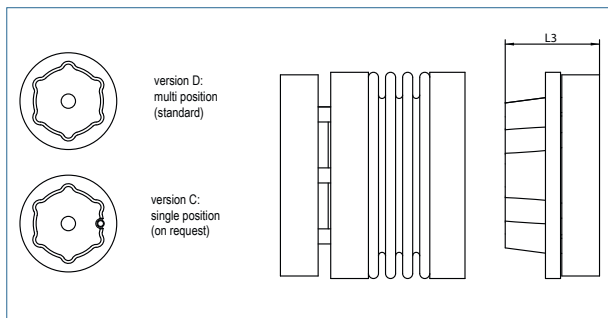
Type / Size Length L ØD1 (H7) ØD2 (H7) Plug System Options

Size	Torque TKN (Nm)	Dimensions (mm)						Technical Data								
		L	Ø A	D1	D2	E1	F	Mass (kg)	Moment of Inertia J (g m²)	Spring Stiffness			Misalignment			max. speed (min-1)
		Length	Outer Ø	Bore Size (H7) min~max	Bore Size (H7) min~max		Screw (ISO4762) TA (Nm)			torsional CT 10³ (Nm/rad)	radial CR (N/mm)	axial CA (N/mm)	radial ΔKr (mm)	axial ΔKa (mm)	angular ΔKw (°)	
18	18	67	45	8-14	10-22	20.5	M4	0.4	0.1	20	205	50	0.2	0.5	1.5	12800
		75					4.3	0.45	0.11	15	82	36	0.25	0.5	2	
30	30	68	56	10-24	10-24	22	M5	0.48	0.16	38	720	50	0.15	0.6	1.5	10300
		76					6.5	0.5	0.18	28	225	28	0.25	1.0	2	
60	60	79	66	12-32	12-32	24	M5	0.88	0.38	75	1150	90	0.15	0.6	1.5	8700
		89					8	0.98	0.41	50	340	50	0.25	1.0	2	
150	150	97	82	15-40	15-40	35	M6	1.6	1.8	155	2020	145	0.2	0.5	1.5	6900
		108					12	1.69	1.85	105	595	85	0.25	0.8	2	
300	300	113	110	24-56	24-56	35	M8	2.28	4.05	502	6300	280	0.2	0.5	1.5	6000
		125					30	2.38	4.25	285	1400	145	0.25	0.8	2	
500	500	133	122	30-60	30-60	40	M8	3.8	7.55	690	7790	100	0.2	0.5	1.5	5000
		144					32	3.9	7.75	320	970	85	0.25	1.0	2	



Material	bellows - stainless steel hubs - aluminium outer conical hub - steel
Hub	bore tolerance: H7
Temperature Range	-30 °C ~ 120 °C

Size	Dimensions (mm)			
	L1	L2	L3	V
18	52	15	22	0.5-1.0
	60			
30	51.5	16.5	31	0.5-1.0
	59.5			
60	57	22	35	0.5-1.5
	67			
150	73	24	37.5	0.5-1.5
	84			
300	82	31	48	0.5-1.5
	93			
500	90	43	64	0.5-2.0
	101			

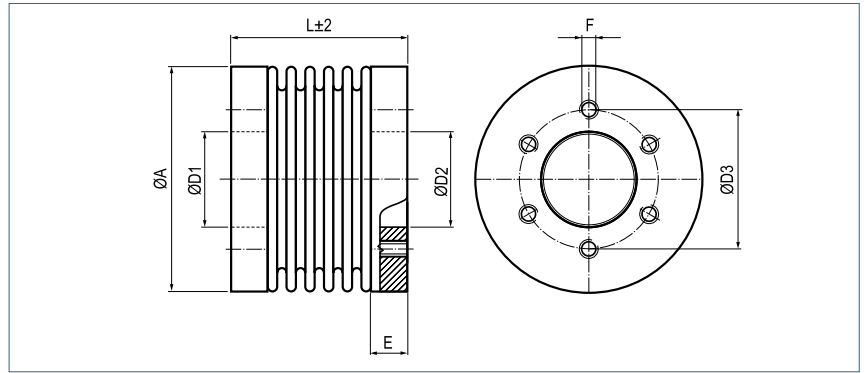
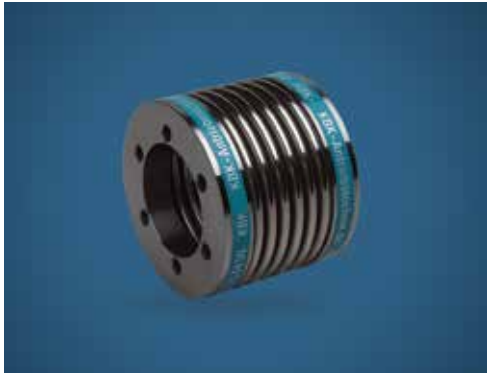


Metal Bellows Coupling

for flange mounting

optional
laserwelded
optional full stainless
steel version

optional chem.
nickel-plated



Order Code

KB7 / 60 - 41 - 38 - (S)

Type / Size

Length
L

ØD1/ØD2
(H7)

Options

Size	Torque TKN (Nm)	Dimensions (mm)						Technical Data								
		L	Ø A	Ø D1/D2	Ø D3	E	F	Mass (kg)	Moment of Inertia J (g m ²)	Spring Stiffness			Misalignment			max. speed (min-1)
		Length	Outer Ø	Bore Sizes (H7) min-max			Thread 6x			torsional CT 10 ³ (Nm/rad)	radial CR (N/mm)	axial CA (N/mm)	radial ΔKr (mm)	axial ΔKa (mm)	angular ΔKw (°)	
18	18	36	45	22	31	6	M5	0.11	0.04	20	205	50	0.2	0.5	1.5	11500
		44						0.115	0.04	15	82	36	0.25	0.5	2	
30	30	30	56	28	37	7	M5	0.16	0.09	38	720	50	0.15	0.6	1.5	11000
		38						0.17	0.09	28	225	25	0.25	1	2	
60	60	41	66	38	46	10.5	M6	0.33	0.25	75	1150	90	0.15	0.6	1.5	9100
		51						0.37	0.29	50	340	50	0.25	1	2	
80	80	50	82	50	62	13	M6	0.69	0.83	128	1200	80	0.2	0.5	1.5	7000
		62						0.75	0.92	75	400	50	0.25	1	2	
150	150	50	82	50	62	13	M6	0.69	0.83	155	2020	145	0.2	0.5	1.5	7000
		62						0.75	0.92	105	595	85	0.25	1	2	
200	200	50	90	50	62	13	M6	0.74	1.0	175	2500	145	0.2	0.5	1.5	6700
		63						0.80	1.1	120	460	82	0.25	1	2	
300	300	55	110	65	80	13	M8	1.18	2.5	502	6300	280	0.2	0.5	1.5	5200
		66						1.24	2.7	285	1400	145	0.25	1	2	
500	500	61	122	70	94	16	M8	1.95	5.0	690	7790	100	0.2	0.5	1.5	4600
		72						2.05	5.3	320	970	85	0.25	1	2	
800	800	131	157	85	110	23	M16	3.55	15	760	500	185	0.2	0.8	1.8	3700
1400	1400	131	157	85	110	23	M16	3.55	15	1270	700	275	0.2	0.8	1.8	3700
3000	3000	131	157	85	110	23	M16	3.70	16	2810	2945	305	0.2	0.8	1.5	2800
5000	5000	146	208	100	130	36.5	M16	8.22	61	4810	4915	505	0.2	0.8	1.5	2800

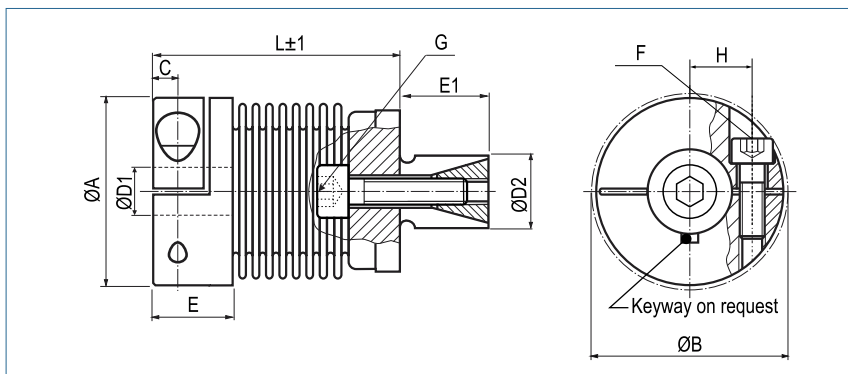
Material	bellows – stainless steel hub - steel
Hub	bore tolerance: H7
Temperature Range	-30 °C ~ 120 °C

Metal Bellows Coupling

with expanding clamps

optional
laserwelded
optional full stainless
steel version

optional chem.
nickel-plated



Order Code

KB8 / 30 - 53 - 15 - 20 - S
 Type / Size Length L ØD1 (H7) ØD2 (f7) Options

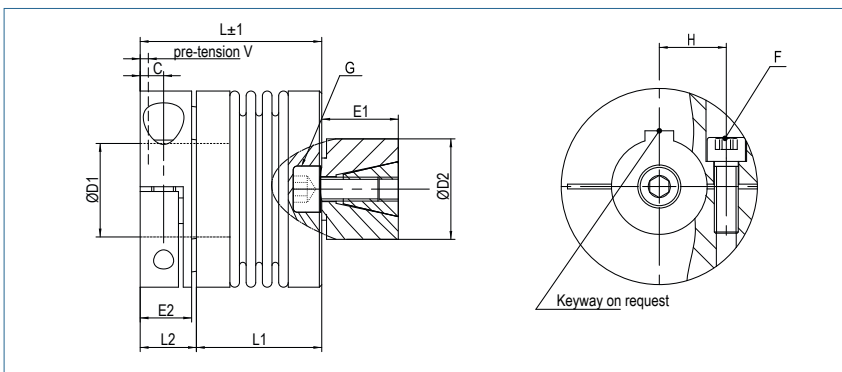
Size	Torque TKN (Nm)	Dimensions (mm)										Technical Data								
		L	Ø A	D1	D2	H	C	E	E1	B	F/G	Mass (kg)	Moment of Inertia J (g m ²)	Spring Stiffness			Misalignment			max. speed (min ⁻¹)
		Length	Outer Ø	Bore Size (H7) min~max	(f7) min~max						Screw (ISO4762) TA (Nm)			torsional CT 10 ³ (Nm/rad)	radial CR (N/mm)	axial CA (N/mm)	radial ΔKr (mm)	axial ΔKa (mm)	angular ΔKw (°)	
18	18	45	45	10-25.4	13-25	17	5.5	17.5	20	47.4	M5	0.14	0.04	20	205	50	0.2	0.5	1.5	12800
		8									0.15	0.05	15	82	35	0.25	0.5	2	12800	
30	30	53	56	10-32	14-30	20	7.5	24.5	25	56.4	M6	0.30	0.15	38	720	50	0.15	0.6	1.5	10300
		15		0.31							0.16	28	225	28	0.25	1.0	2	10300		
60	60	62	66	12-35	23-38	23	10	29	27	66	M8	0.40	0.28	75	1150	90	0.15	0.6	1.5	8700
		40									0.42	0.31	50	340	50	0.25	1.0	2	8700	
150	150	71	82	14-44	26-42	28	11	33.5	32	82.9	M10	0.80	0.90	155	2020	145	0.2	0.5	1.5	6900
		84									0.85	0.95	105	595	85	0.25	0.5	2	6900	
300	300	84	110	20-60	38-60	39	13	38	45	110	M12	1.62	3.28	502	6300	280	0.2	0.5	1.5	6000
		145									1.66	3.37	285	1400	145	0.25	0.8	2	6000	
500	500	87.5	122	25-70	58-80	42	15	42	50	122	M12	3.33	5.32	690	7790	100	0.2	0.5	1.5	5000
		98.5									3.43	5.43	320	970	85	0.25	1	2	5000	

Material	bellows – stainless steel collet clamps - aluminium expanding clamps - steel
Hub and Hollow Shaft	bore tolerance: H7
Keyway	optional acc. DIN 6885 biggest bore marked with a #
Temperature Range	-30 °C ~ 120 °C

Metal Bellows Coupling

axial pluggable, with expanding clamps

optional
laserwelded
optional full stainless
steel version



Order Code

KB8P / 60 - 78 - 15 - 30 - D - (S)

Type / Size

Length
L

ØD1
(H7)

ØD2
(f7)

Plug System

Options

Size	Torque TKN (Nm)	Dimensions (mm)									Technical Data								
		L Length	Ø A Outer Ø	D1 Bore Size (H7) min~max	D2 (f7) min~max	H	C	E2	E1	F/G Screw (ISO4762) TA (Nm)	Mass (kg)	Moment of Inertia J (g m ²)	Spring Stiffness			Misalignment			max. speed (min ⁻¹)
												torsional CT 10 ³ (Nm/rad)	radial CR (N/mm)	axial CA (N/mm)	radial ΔKr (mm)	axial ΔKa (mm)	angular ΔKw (°)		
18	18	52	45	10-24	13-25	17	5.5	12	20	M5	0.18	0.04	20	205	50	0.2	0.5	1.5	12800
		60																	
30	30	59.5	56	10 32	14-30	20	7.3	17	25	M6	0.33	0.15	38	720	50	0.15	0.6	1.5	10300
		67.5		#30															
60	60	68	66	12-35	23-38	23	8.6	21	27	M8	0.49	0.28	75	1150	90	0.15	0.6	1.5	8700
		78																	
150	150	75	82	14-44	26-42	28	9.8	21.5	32	M10	0.87	0.90	155	2020	145	0.2	0.5	1.5	6900
		87																	
300	300	93	110	20-60	38-60	39	10.8	27	45	M12	1.87	3.28	502	6300	280	0.2	0.5	1.5	6000
		107																	
500	500	112	122	25-70	58-80	42	15	42	50	M12	3.83	6.52	690	7790	100	0.2	0.5	1.5	5000
		123																	

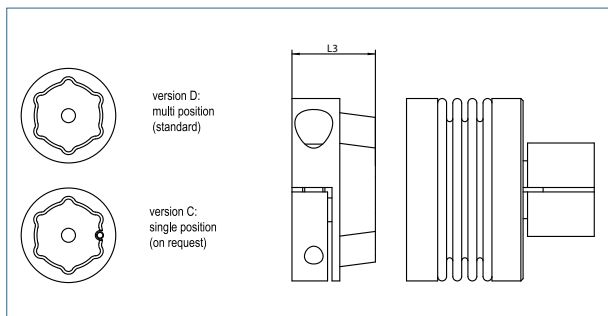
Material bellows - stainless steel
collet clamps - aluminium
expanding clamps - steel

Hub bore tolerance: H7

Temperature Range -30 °C ~ 120 °C

Keyway optional acc. DIN 6885
biggest bore marked with a #

Size	Dimensions (mm)			
	L1	L2	L3	V
18	33.5	14	22	0.5-1.0
	40.5			
30	40.5	19	31	0.5-1.0
	48.5			
60	45	23	35	0.5-1.5
	55			
150	51.5	23.5	37.5	0.5-1.5
	63.5			
300	64	29	47	0.5-1.5
	78			
500	68	44	66	0.5-2.0
	79			



SERVO INSERT COUPLINGS

KBE1 | 5 ~ 55

Servo Insert Coupling
with set screws



P. 34

KBE2 | 5 ~ 19

Servo Insert Coupling
with collet clamps



P. 35

KBE2 | 24 ~ 55

Servo Insert Coupling
with collet clamps



P. 36

KBE2C | 7 ~ 48

Servo Insert Coupling
with collet clamps, compact



P. 37

KBE2H | 14 ~ 55

Servo Insert Coupling
with split hubs



P. 38

KBE2HC | 14 ~ 48

Servo Insert Coupling
with split hubs



P. 39

KBE2D | 7 ~ 48

Servo Insert Coupling
doublecardanic with collet clamps



P. 40

KBE3 | 14 ~ 55

Servo Insert Coupling
with outer conical hubs



P. 41

KBE3C | 14 ~ 55

Servo Insert Coupling
with outer conical hubs, compact



P. 42

KBE4 | 14 ~ 48

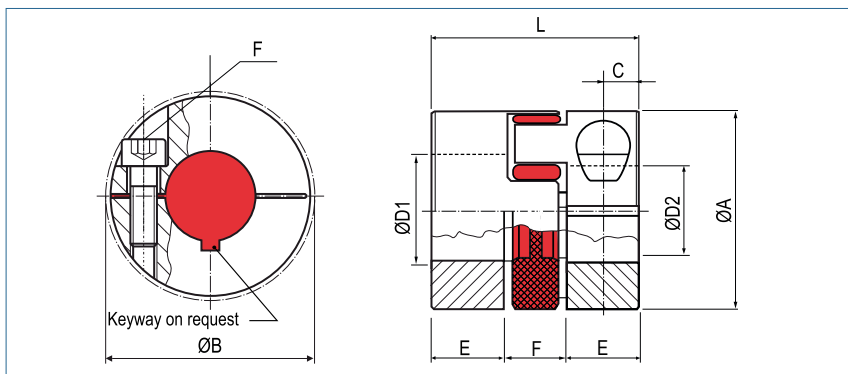
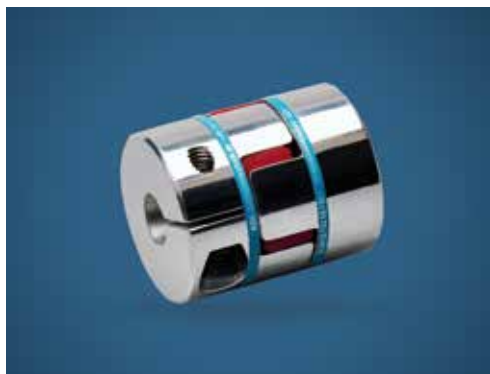
Servo Insert Coupling
with expanding clamps



P. 43

Servo Insert Coupling compact

optional full stainless steel version



Order Code

KBE2C - 38 - 20 - 40 - 98Sh

Type Size ØD1 (H7) ØD2 (H7) Shore-hardness

Size	Dimensions (mm)								Technical Data			Torque (Nm)			
	Ø A	L	Ø D1-D2	E	F	C	B	G	max. speed rpm. (1/min)	Mass (per coupling) (g)	Moment of Inertia J (per coupling) (g m²)	64 ShoreD (green)	98 ShoreA (red)	92 ShoreA (yellow)	80 ShoreA (blue)
7	14	18	3 - 7	5	8	2.5	16.6	M2 0.43	27000	6	0.00018	2.4	2	1.2	0.7
9	20	24	4 - 11	7	10	3.5	21.3	M2.5 0.85	19000	15	0.00085	6	5	3	1.8
12	25	26	4 - 12	7	12	3.5	27.2	M3 2	16000	23	0.00220	12	9	5	3
14	30	32	4 - 16	9.5	13	5	32.5	M4 4.5	13000	45	0.0166	16	12.5	7.5	4
19	40	50	8 - 21	17	16	8.5	45.7	M6 15	10000	139	0.0311	26	21	12	6
24	55	58	10 - 32	20	18	10	56.4	M6 15	7000	271	0.119	75	60	35	17
28	65	62	14 - 37	21	20	11	72.6	M8 40	6000	429	0.254	200	160	95	46
38	80	86	15 - 48	31	24	15	83.3	M10 84	5000	888	0.828	405	325	190	x
42	95	94	20 - 50	34	26	17.5	97.6	M12 145	4000	1425	1.866	560	450	265	x
48	105	110	20 - 57	41	28	23	105	M12 145	3750	2019	3.221	655	525	310	x

Transmittable torque (Nm) depending on shaft diameter (mm)

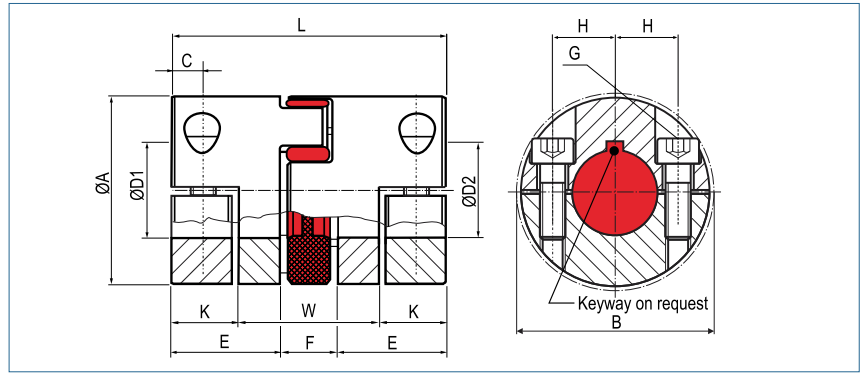
Size	3	4	6	8	10	12	14	15	16	18	19	20	24	25	28	30	32	35	38	40	42	45	48	50	55	
7	1.2	1.3	1.5																							
9		2.3	2.5	2.8	3.0																					
12			6.6	6.9	7.4	8.0	8.6																			
14				14	14.7	15.7	16.7	17.7	18.3	18.8																
19					42	44	47	49	50	51	54	55	56													
24						58	61	63	64	65	67	69	70	74	76	79	81	84								
28								105	107	109	112	114	116	123	124	130	133	137	142	147						
38									241	244	251	254	258	271	274	284	291	297	307	317	324	330	340	350		
42													433	452	457	471	481	491	505	519	529	539	553	568	577	
48														452	471	476	491	500	510	524	539	548	558	572	587	620

+ **Material** hub - aluminium
 spider element - polyurethane
Hub bore tolerance: H7
Keyway optional acc. DIN 6885
 Further spider elements and technical data are available on page 44 and 45.
 All series are available with loose-fit spiders (see page 45).

Servo Insert Coupling

with split hubs

optional full stainless steel version



Order Code

KBE2H - 19 - 10 - 12 - 98Sh

Type Size ØD1 (H7) ØD2 (H7) Shore-hardness

Size	Dimensions (mm)										Technical Data				Torque (Nm)			
	Ø A	L	Ø D1/D2	E	W	F	C	B	H	K	G Screw (ISO4762) TA (Nm)	max. speed rpm. (1/min)	Mass (per coupling) (g)	Moment of Inertia J (per coupling) (g m²)	64 ShoreD (green)	98 ShoreA (red)	92 ShoreA (yellow)	80 ShoreA (blue)
9	20	30	4 - 11	10	14	10	5	23.5	7	8	M2.5 0.85	19000	20	0.00121	6	5	3	1.8
12	25	34	4 - 12	11	18	12	5	27.2	8.25	8	M3 2	16000	36	0.00354	12	9	5	3
14	30	35	4 - 16	11	19	13	5.0	35	10.5	8	M4 5	13000	50	0,007	16	12.5	7.5	4
19	40	66	8 - 21	25	27	16	8.0	46	14.5	19.5	M6 15	10000	182	0,042	26	21	12	6
24	55	78	10 - 32	30	34	18	10.5	57.5	20	22.0	M6 15	7000	391	0,171	75	60	35	17
28	65	90	14 - 37	35	40	20	11.5	73	25	25.0	M8 40	6000	643	0,402	200	160	95	46
38	80	114	18 - 48	45	48	24	15.5	83.5	30	33.0	M8 40	5000	1167	1,096	405	325	190	x
42	95	126	22 - 50	50	53	26	18.0	93.5	32	36.5	M10 84	4000	1943	2,522	560	450	265	x
48	105	140	22 - 57	56	61	28	18.5	105	36	39.5	M12 145	3750	2592	4,076	655	525	310	x
55	120	160	25 - 74	65	70	30	26	122.8	45	45	M12 145	3500	3260	7.349	825	685	410	x

Transmittable torque (Nm) depending on shaft diameter (mm)

Size	4	6	8	10	14	15	16	18	20	22	24	25	28	30	32	35	38	40	42	45	48	50	55	58	60	65	70	74
9	3	4	6	7																								
12	6	9	12	15	21	22	24																					
14	11	16	21	26	37	39	42																					
19			47	59	83	89	95	107	119																			
24				59	83	89	95	107	119	130	142	148	166	178	190													
28					123	132	141	159	176	194	211	220	247	264	282	308												
38								159	176	194	211	220	247	264	282	308	335	352	370	396	423							
42										370	404	420	471	505	538	589	639	673	706	757	807	841						
48											539	588	612	686	735	784	857	931	980	1029	1102	1176	1225	1347				
55												612	686	735	784	857	931	980	1029	1102	1176	1225	1347	1421	1470	1592	1715	1813

+ **Material** hub - aluminium
 spider element - polyurethane

Hub bore tolerance: H7

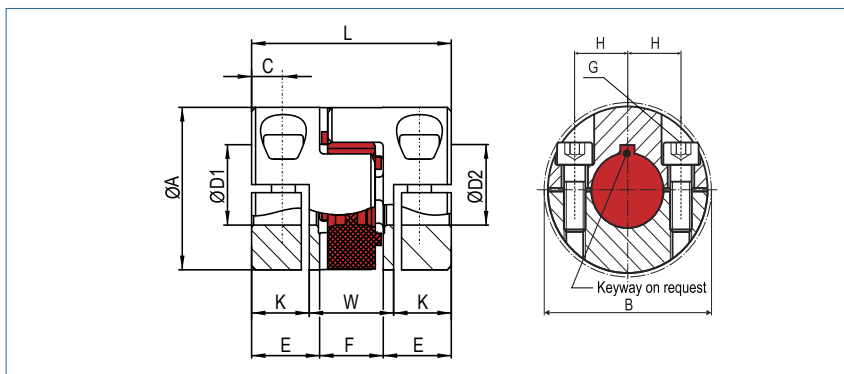
Keyway optional acc. DIN 6885

Further spider elements and technical data are available on page 44 and 45.
 All series are available with loose-fit spiders (see page 45).

Servo Insert Coupling

with split hubs

optional full stainless steel version



Order Code

KBE2HC - 19 - 10 - 12 - 98Sh

Type Size ØD1 (H7) ØD2 (H7) Shore-hardness

Size	Dimensions (mm)										Technical Data			Torque (Nm)				
	Ø A	L	Ø D1/D2	E	W	F	K	C	B	H	G	max. speed rpm. (1/min)	Mass (per coupling) (g)	Moment of Inertia J (per coupling) (g m ²)	64 ShoreD (green)	98 ShoreA (red)	92 ShoreA (yellow)	80 ShoreA (blue)
14	30	32	4 - 16	9.5	16.4	13	7.8	4,5	35	10.5	M4 4.5	13000	47	0.006	16	12.5	7.5	4
19	40	50	8 - 21	17	21	16	14.5	8.0	46	14.5	M6 15	10000	79	0.019	26	21	12	6
24	55	58	10 - 32	20	26	18	16	8	57.5	20	M6 15	7000	280	0.121	75	60	35	17
28	65	62	14 - 37	21	28	20	17	9	73	25	M8 40	6000	421	0.266	200	160	95	46
38	80	86	18 - 48	31	38	24	24	12	83.5	30	M8 40	5000	840	0.790	405	325	190	x
42	95	94	22 - 50	34.5	44	25	25	12,5	93.5	32	M10 84	4000	1416	1.832	560	450	265	x
48	105	110	22 - 57	41	50	28	30	14	105	36	M12 145	3750	1956	3.101	655	525	310	x

Size	Transmittable torque (Nm) depending on shaft diameter (mm)																										
	4	6	8	10	11	14	15	16	18	19	20	22	24	25	28	30	32	35	38	40	42	45	46	48	50	55	
14	10.3	15.5	20.7	25.8	28.4	36.1	38.7	41.3																			
19			47	59	65	83	89	95	107	113	119																
24				59	65	83	89	95	107	113	119	130	142	148	166	178	190										
28						123	132	141	159	167	176	194	211	220	247	264	282	308	335								
38									159	167	176	194	211	220	247	264	282	308	335	352	370	396	405	423			
42												370	404	420	471	505	538	589	639	673	706	757	774	807	841		
48												539	588	612	686	735	784	857	931	980	1029	1102	1127	1176	1225	1347	

+ **Material** hub - aluminium
 spider element - polyurethane

Hub bore tolerance: H7

Keyway optional acc. DIN 6885

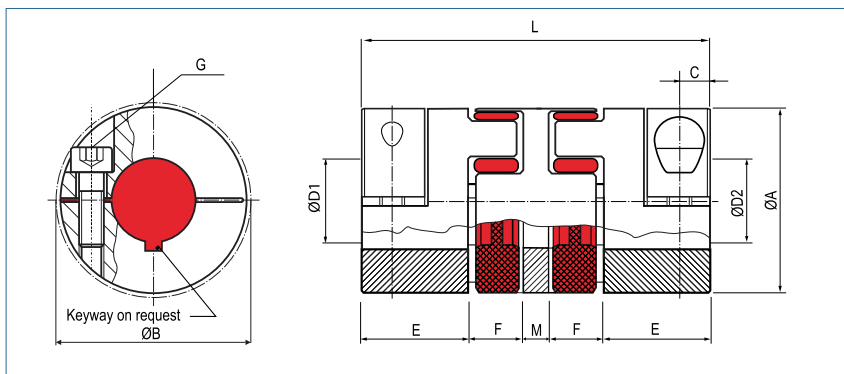
Further spider elements and technical rates are available on page 44 and 45.

All series are available with loose-fit spiders (see page 45).

Servo Insert Coupling

doublecardanic with collet clamps

optional full stainless steel version



Order Code

KBE2D - 14 - 10 - 12 - 98Sh

Type Size ØD1 (H7) ØD2 (H7) Shore-hardness

Size	Dimensions (mm)									Technical Data			Torque (Nm)			
	ØA Outer Ø	L Length	Ø D1-D2 Bore Sizes (H7) min-max	E	F	C	B	G	M	max. speed rpm. (1/min)	Mass (per coupling) (g)	Moment of Inertia J (per coupling) (g m²)	64 ShoreD (green)	98 ShoreA (red)	92 ShoreA (yellow)	80 ShoreA (blue)
7	14	34	4 - 7	7	8	3.5	15	M2 0.43	4	27000	5	0002	2.4	2	1.2	0.7
9	20	45	4 - 11	10	10	5	23.4	M2.5 0.85	5	19000	32	0.002	6	5	3	1.8
12	25	52	4 - 12	11	12	8	27.2	M3 2	6	16000	51	0.00459	12	9	5	3
14	30	56	4 - 16	11	13	5	32.2	M3 2	8	13000	77	0.010	16	12.5	7.5	4
19	40	92	10 - 22/24*	25	16	12	45.7	M6 15	10	10000	232	0.056	26	21	12	6
24	55	112	15 - 32	30	18	14	56.6	M6 15	16	7000	534	0.188	75	60	35	17
28	65	128	19 - 37	35	20	15	70.2	M8 40	18	6000	844	0.507	200	160	95	46
38	80	158	20 - 48	45	24	20	82.5	M8 40	20	5000	1580	1.489	405	325	190	x
42	95	174	25 - 50	50.5	26	18	95	M10 84	21	4000	2270	3.144	560	450	265	x
48	105	192	25 - 62	55	28	20	107.2	M12 145	26.5	3000	2970	5.117	655	525	310	x

Transmittable torque (Nm) depending on shaft diameter (mm)

Size	4	5	6	7	8	9	10	11	12	14	15	16	19	20	22	24	25	28	30	32	35	38	40	42	45
7	1.3	1.4	1.5	1.6																					
9	2.3	2.4	2.5	2.7	2.8	2.9	3.0	3.2																	
12	6.3	6.6	6.9	7.2	7.4	7.7	8.0	8.3	8.6																
14	7.7	8.0	8.3	8.6	8.9	9.2	9.4	9.7	10	10.6	10.9	11.2													
19													44	45	47	49	50	51	55	56	58				
24																									
28																									
38																									
42																									
48																									

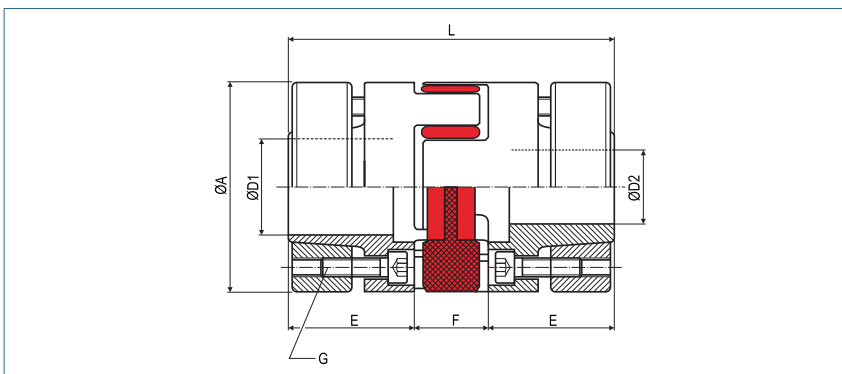
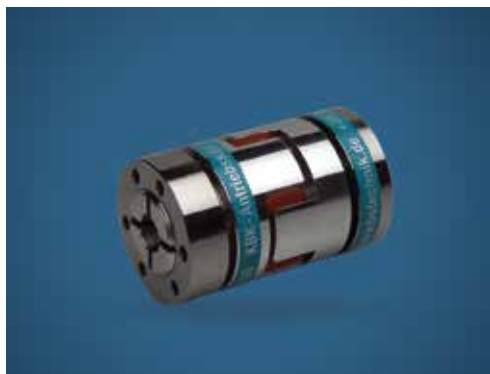
+ Material Hub hub - aluminium
 spider element - polyurethane
 bore tolerance: H7
 Keyway optional acc. DIN 6885
 * Hubs for bores > 22H7 to 24H7 will be supplied with 2 x M4 screws.

Further spider elements and technical rates are available on page 44 and 45. All series are available with loose-fit spiders (see page 45).

Servo Insert Coupling

with outer conical hubs

optional full stainless steel version



Order Code

KBE3 - 48 - 40 - 35 - 98Sh

Type Size ØD1 (H7) ØD2 (H7) Shore-hardness

Size	Dimensions (mm)						Technical Data			Torque (Nm)			
	Ø A Outer Ø	L Length	Ø D1-D2 Bore Sizes (H7) min-max	E	F	G Screw (ISO4762) TA (Nm)	max. speed rpm. (1/min)	Mass (per coupling) (g)	Moment of Inertia (per coupling) J (g m ²)	64 ShoreD (green)	98 ShoreA (red)	92 ShoreA (yellow)	80 ShoreA (blue)
14	30	50	6 - 14 12	18.5	13	M3 1.34	25000	105	0.014	16	12.5	7.5	4
19	40	66	10 - 20 17	25	16	M4 2.9	19000	277	0.066	26	21	12	6
24	55	78	15 - 28 25	30	18	M5 6	14000	612	0.282	75	60	35	17
28	65	90	19 - 38 34	35	20	M5 6	12000	937	0.650	200	160	95	46
38	80	114	20 - 45 40	45	24	M6 10	10000	1961	2.005	405	325	190	x
42	95	126	28 - 50 43	50	26	M8 35	8000	3069	4.322	560	450	265	x
48	105	140	35 - 60 54	56	28	M8 35	7000	3855	6.851	655	525	310	x
55	120	160	40 - 70 60	65	30	M10 84	5000	4145	10.252	825	685	410	x

Size	Transmittable torque (Nm) depending on shaft diameter (mm)																							
	6	10	11	14	15	16	19	20	24	25	28	30	32	35	38	40	42	45	48	50	55	60	65	70
14	8.6	13.8	14.7	22.7																				
19		41	45	62	68	67	83	90																
24					74	72	90	97	112	120	143													
28							189	188	237	250	280	307	310	353	389									
38								269	337	356	398	436	424	501	533	572	585	644						
42											445	506	470	566	581	647	630	728	836	858				
48														955	999	1092	1091	1230	1381	1334	1540			
55																1262	1325	1422	1464	1582	1630	1975	1994	2352

+ **Material** hub - aluminium
 outer conical hub - Steel
 spider element - polyurethane

Hub bore tolerance: H7

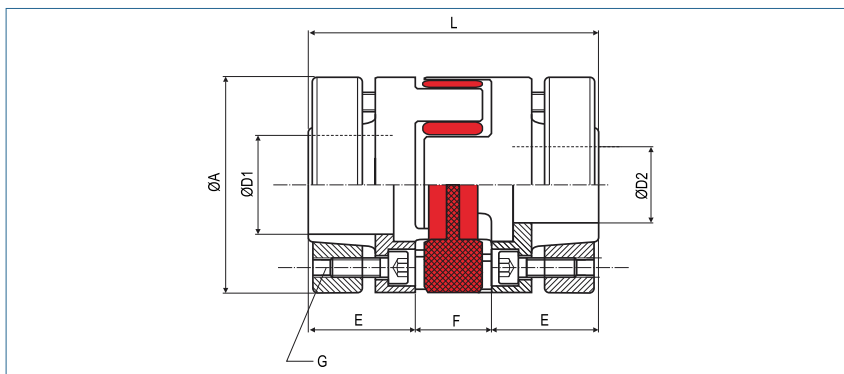
Keyway optional acc. DIN 6885
 biggest bore marked with a #

**Further spider elements and technical data are available on page 44 and 45.
 All series are available with loose-fit spiders (see page 45).**

Servo Insert Coupling

with outer conical hubs, compact

optional full stainless steel version



Order Code	KBE3C	-	48	-	40	-	35	-	98Sh
	Type		Size		ØD1 (H7)		ØD2 (H7)		Shore-hardness

Size	Dimensions (mm)						Technical Data			Torque (Nm)			
	Ø A Outer Ø	L Length	Ø D1-D2 Bore Sizes (H7) min-max	E	F	G Screw (ISO4762) TA (Nm)	max. speed rpm. (1/min)	Mass (per coupling) (g)	Moment of Inertia (per coupling) J (g m²)	64 ShoreD (green)	98 ShoreA (red)	92 ShoreA (yellow)	80 ShoreA (blue)
14	30	42	6 - 14 12	14.5	13	M3 1.34	25000	91	0.012	16	12.5	7.5	4
19	40	56	10 - 20 17	20	16	M4 3	19000	252	0.063	26	21	12	6
24	55	64	14 - 28 25	23	18	M5 6	14000	492	0.236	75	60	35	17
28	65	76	19 - 38 34	28	20	M5 6	12000	776	0.535	200	160	95	46
38	80	96	20 - 45 40	36	24	M6 10	10000	1639	1.686	405	325	190	x
42	95	103	28 - 50 43	38.5	26	M8 35	8000	2612	3.621	560	450	265	x
48	105	110	30 - 55 54	41	28	M8 35	7000	3105	5.465	655	525	310	x
55	120	136	40 - 70 60	53	30	M10 84	5000	4145	10.252	825	685	410	x

Size	Transmittable torque (Nm) depending on shaft diameter (mm)																							
	6	10	11	14	15	16	19	20	24	25	28	30	32	35	38	40	42	45	48	50	55	60	65	70
14	5.4	7.5	11.3	24.7																				
19		17	20	41	49	52	56	64																
24				47	57	67	98	110	127	139	175													
28							121	133	201	219	248	285	253	307	329									
38								203	304	331	394	452	453	543	550	609	669	634						
42											444	508	535	638	692	763	754	858	964	976				
48												572	638	762	842	929	943	1074	1208	1136	1336			
55																1073	1126	1209	1244	1345	1386	1679	1695	1998

Material hub - aluminium
outer conical hub - Steel
spider element - polyurethane

Hub bore tolerance: H7

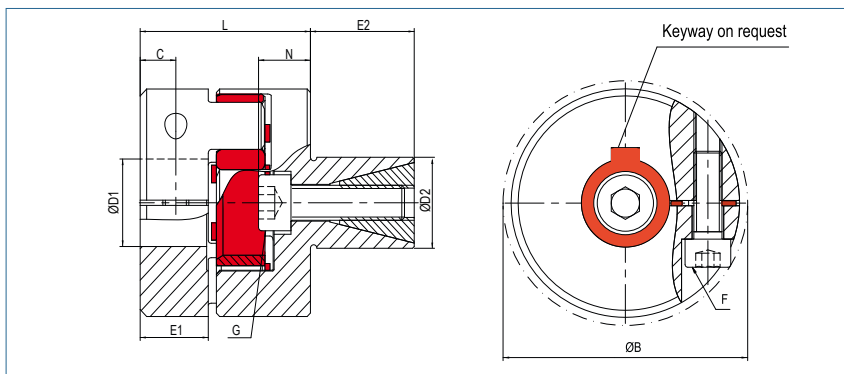
Keyway optional acc. DIN 6885
biggest bore marked with a #

Further spider elements and technical data are available on page 44 and 45.
All series are available with loose-fit spiders (see page 45).

Servo Insert Coupling

with expanding clamps

optional full stainless steel version



Order Code	KBE4	-	38	-	40	-	35	-	98Sh
	Type		Size		ØD1 (H7)		ØD2 (h7)		Shore-hardness

Size	Dimensions (mm)											Technical Data			Torque (Nm)			
	ØA Outer Ø	L Length	Ø D1 Bore Size (H7) min~max	Ø D2 (h7) min~max	E1	E2	N	C	B	F Screw (ISO4762) TA (Nm)	G Screw (ISO4762) TA (Nm)	max. speed upm. (1/min)	Mass (per coupling) (g)	Moment of Inertia (per coupling) J (g m²)	64 ShoreD (green)	98 ShoreA (red)	92 ShoreA (yellow)	80 ShoreA (blue)
14	30	28	4-16	13 - 25	11	20	7	5	32.2	M3 2	M5 9	20000	98	0.010	16	12.5	7.5	4
19	40	40	10-22/24*	14 - 30	17	25	10	9	45.7	M6 15	M6 15	19000	240	0.042	26	21	12	6
24	55	46	12 - 32	23 - 36	20	27	11	10	56.4	M6 15	M8 40	14000	463	0.158	75	60	35	17
28	65	51	19 - 37	26 - 42	21	32	16	11	72.6	M8 40	M10 84	11500	799	0.375	200	160	95	46
38	80	68	20 - 48	38 - 60	31	45	20	15	83.3	M8 40	M12 145	9500	1754	1.213	405	325	190	x
42	95	92.5	25 - 50	42 - 80	51	55	21	18	95	M10 84	M16 310	6031	3966	4.180	560	450	265	x
48	105	102	25 - 62	42 - 90	55	60	24.5	20	108	M12 145	M16 310	5457	5392	7030	655	525	310	x

Size	4	6	8	9	10	11	12	14	15	16	18	19	20	24	25	28	30	32	35	38	40	42	45
14	7.7	8.3	8.9	9.2	9.4	9.7	10	10.6	10.9	11.2													
19					44	45	47	49	50	51	54	55	56										
24							61	63	64	65	67	69	70	74	76	79	81	84					
28												114	116	123	124	130	133	137	142				
38													135	142	144	149	152	156	161	166	169	173	178
42															294	304	310	317	327	337	343	350	360
48															476	491	500	510	524	539	548	558	572

+ **Material** hub - aluminium
expanding clamps - steel
spider element - polyurethane

Hub bore tolerance: H7

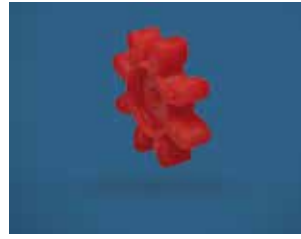
Keyway optional acc. DIN 6885

* Hubs for bores > 22H7 to 24H7 will be supplied with M5 screws.

Further spider elements and technical data are available on page 44 and 45. All series are available with loose-fit spiders (see page 45).

Spider Elements for Couplings Type KBE

Type KBE series



80 ShoreA
operating temperature:
-50 to +80
peak temperature: -60 to +120

92 ShoreA
operating temperature:
-30 to +90
peak temperature: -50 bis +120

98 ShoreA
operating temperature:
-30 to +90
peak temperature: -40 bis +120

64 ShoreD
operating temperature:
-20 to +110
peak temperature: -30 bis +120

Order Code

ZK19 - 98Sh

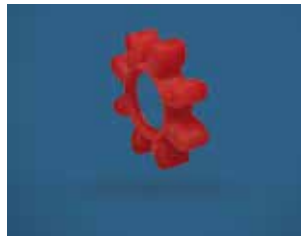
Type / Size

Shore-
hardness

Size	Hardness	Torque [Nm]		Torsional Stiffness Static [Nm/rad]	Torsional Stiffness Dynamic [Nm/rad]	Spring Stiffness radial [N/mm]	Misalignment			max. Bore [mm]
		TK nom.	TK max				axial [mm]	radial [mm]	angular [Grad]	
5	92 ShA	0.5	0.6	5.16	16	154	+0.4 / -0.2	0.06	1.0°	3
	80 ShA	0.7	1.4	8.6	26	114	+0.6 / -0.3	0.15	1.1°	
7	92 ShA	1.2	2.4	14.3	43	219	+0.6 / -0.3	0.10	1.0°	3
	98 ShA	2	4	22.9	69	421	+0.6 / -0.3	0.10	1.0°	
	64 ShD	2.4	4.8	34.3	103	630	+0.6 / -0.3	0.04	0.8°	
9	80 ShA	1.8	3.6	17.2	52	125	+0.8 / -0.4	0.2	1.1°	7
	92 ShA	3	6	31.5	95	262	+0.8 / -0.4	0.15	1.0°	
	98 ShA	5	10	51.6	155	518	+0.8 / -0.4	0.1	0.9°	
12	64 ShD	6	12	74.6	224	739	+0.8 / -0.4	0.05	0.8°	8
	80 ShA	3	6	84.3	252	274	+0.9 / -0.4	0.20	1.1°	
	92 ShA	5	10	160.4	482	470	+0.9 / -0.4	0.14	1.0°	
	98 ShA	9	18	240.7	718	846	+0.9 / -0.4	0.08	0.9°	
14	64 ShD	12	24	327.9	982	1198	+0.9 / -0.4	0.05	0.8°	10
	80 ShA	4	8	60.2	180	153	+1.0 / -0.5	0.21	1.1°	
	92 ShA	7.5	15	114.6	344	336	+1.0 / -0.5	0.15	1.0°	
	98 ShA	12.5	25	171.9	513	654	+1.0 / -0.5	0.09	0.9°	
19	64 ShD	16	32	234.2	702	856	+1.0 / -0.5	0.06	0.8°	18
	80 ShA	6	12	618	1065	582	+1.2 / -0.5	0.15	1.1°	
	92 ShA	12	24	1090	1815	1120	+1.2 / -0.5	0.10	1.0°	
	98 ShA	21	42	1512	2540	2010	+1.2 / -0.5	0.06	0.9°	
24	64 ShD	26	52	2560	3810	2930	+1.2 / -0.5	0.04	0.8°	27
	80 ShA	17	34	860	1390	840	+1.4 / -0.5	0.2	1.0°	
	92 ShA	35	70	2300	5130	1900	+1.4 / -0.5	0.15	1.0°	
	98 ShA	60	120	3700	8130	2940	+1.4 / -0.5	0.11	0.9°	
28	64 ShD	75	150	5030	11500	4200	+1.4 / -0.5	0.08	0.8°	30
	80 ShA	46	92	1370	2350	990	+1.5 / -0.7	0.2	1.3°	
	92 ShA	95	190	4080	6745	1780	+1.5 / -0.7	0.15	1.0°	
	98 ShA	160	320	6410	9920	3200	+1.5 / -0.7	0.11	0.9°	
38	64 ShD	200	400	10260	20177	4348	+1.5 / -0.7	0.08	0.8°	38
	92 ShA	190	380	6525	12000	2350	+ 1.8 / -0.7	0.17	1.0°	
	98 ShA	325	650	11800	21850	4400	+1.8 / -0.7	0.12	0.9°	
42	64 ShD	405	810	26300	40335	6474	+1.8 / -0.7	0.09	0.8°	46
	92 ShA	265	530	10870	20500	4100	+ 2.0 / -1.0	0.19	1.0°	
	98 ShA	450	900	21594	37692	5940	+ 2.0 / -1.0	0.14	0.9°	
48	64 ShD	560	1120	36860	71400	7590	+ 2.0 / -1.0	0.10	0.8°	51
	92 ShA	310	620	12968	22800	4500	+ 2.1 / -1.0	0.23	1.0°	
	98 ShA	525	1050	25759	49400	6820	+ 2.1 / -1.0	0.16	0.9°	
55	64 ShD	655	1310	57630	102800	9000	+ 2.1 / -1.0	0.11	0.8°	58
	92 ShA	410	820	15482	21375	2980	+ 2.2 / -1.0	0.24	1.0°	
	98 ShA	685	1370	42117	61550	6686	+ 2.2 / -1.0	0.17	0.9°	
	64 ShD	825	1650	105730	130200	9248	+ 2.2 / -1.0	0.12	0.8°	

Loose - fit Spider Elements for Couplings Type KBE

Type KBE series



92 ShoreA

operating temperature:
-30 to +90

peak temperature: -50 bis +120

98 ShoreA

operating temperature:
- 30 to +90

peak temperature: -40 bis +120

Order Code

ZKES24 - 92Sh

Type / Size

Shore-
hardness

Size	Hardness	Torque [Nm]		Torsional Stiffness Static [Nm/rad]	Torsional Stiffness Dynamic [Nm/rad]	Spring Stiffness radial [N/mm]	Misalignment			max. Bore [mm]
		TK nom.	TK max				axial [mm]	radial [mm]	angular [Grad]	
5	92 ShA	0.5	0.6	5.16	16	154	+0.4 / -0.2	0.06	1.0°	3
7	92 ShA	1.2	2.4	14.3	43	219	+0.6 / -0.3	0.10	1.0°	3
	98 ShA	2	4	22.9	69	421	+0.6 / -0.3	0.10	1.0°	
9	92 ShA	3	6	31.5	95	262	+0.8 / -0.4	0.15	1.0°	7
	98 ShA	5	10	51.6	155	518	+0.8 / -0.4	0.1	0.9°	
12	92 ShA	5	10	160.4	482	470	+0.9 / -0.4	0.14	1.0°	8
	98 ShA	9	18	240.7	718	846	+0.9 / -0.4	0.08	0.9°	
14	92 ShA	7.5	15	114.6	344	336	+1.0 / -0.5	0.15	1.0°	10
	98 ShA	12.5	25	171.9	513	654	+1.0 / -0.5	0.09	0.9°	
19	92 ShA	12	24	1090	1815	1120	+1.2 / -0.5	0.10	1.0°	18
	98 ShA	21	42	1512	2540	2010	+1.2 / -0.5	0.06	0.9°	
24	92 ShA	35	70	2300	5130	1900	+1.4 / -0.5	0.15	1.0°	27
	98 ShA	60	120	3700	8130	2940	+1.4 / -0.5	0.11	0.9°	
28	92 ShA	95	190	4080	6745	1780	+1.5 / -0.7	0.15	1.0°	30
	98 ShA	160	320	6410	9920	3200	+1.5 / -0.7	0.11	0.9°	
38	92 ShA	190	380	6525	12000	2350	+ 1.8 / -0.7	0.17	1.0°	38
	98 ShA	325	650	11800	21850	4400	+1.8 / -0.7	0.12	0.9°	
42	92 ShA	265	530	10870	20500	4100	+ 2.0 / -1.0	0.19	1.0°	46
	98 ShA	450	900	21594	37692	5940	+2.0 / -1.0	0.14	0.9°	
48	92 ShA	310	620	12968	22800	4500	+2.1 / -1.0	0.23	1.0°	51
	98 ShA	525	1050	25759	49400	6820	+2.1 / -1.0	0.16	0.9°	
55	92 ShA	410	820	15482	21375	2980	+ 2.2 / -1.0	0.24	1.0°	58
	98 ShA	685	1370	42117	61550	6686	+ 2.2 / -1.0	0.17	0.9°	

Bestellbeispiele für Elastomerkupplungen mit spielbehafteten Zahnkränzen

KBES1 - 28 - N24 - N30 - 92 Sh

instead of KBE1

Size

Bore Size 1 w. keyway

Bore Size 2 w. keyway

Shorehardness

KBES2 - 42 - 30 - 45 - 98 Sh

instead of KBE2

Size

Bore Size1

Bore Size 2

Shorehardness

KBES2D - 19 - 10 - 22 - 98 Sh

instead of KBE2D

Size

Bore Size1

Bore Size 2

Shorehardness

CARDAN COUPLINGS

GK | 18 ~ 100

Linear Coupling
with threads



P. 47

GK-T | 18 ~ 100

Cardan Coupling
with collet clamps



P. 48

GK-TH | 27 ~ 100

Cardan Coupling
with split hubs

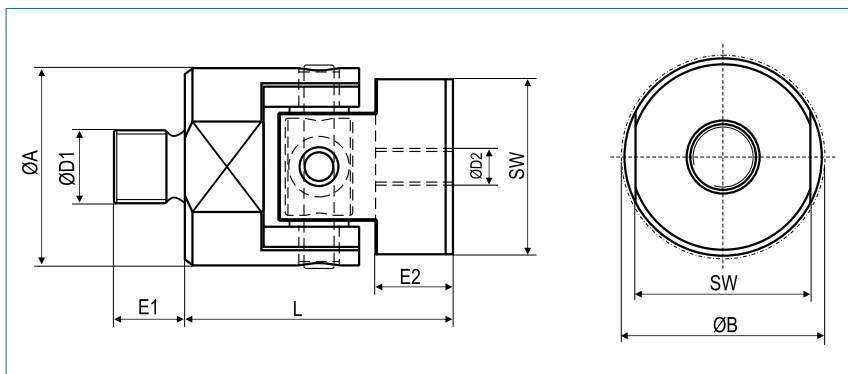


P. 49

Cardan Coupling

Linear Coupling with threads

optional full stainless steel version



Order Code

GK / 27 - M5 - M6

Type / Size

Thread
Ø D1

Thread
Ø D2

Size	axial force F _{KA} (N)	Dimensions (mm)					Technical Data					
		L Length	Ø A Outer Ø	SW wrench Size	E2 max. thread depth	B	Mass (kg)	Moment of Inertia J (kg mm ²)	Spring Stiffness axial CA (N/mm)	Misalignment		max. speed rpm
									radial Δ Kr (mm)	angular Δ Kw (°)		
18	200	24	18	16	5.5	19	0.013	0.52	8500	1	6	10000
27	800	36	27	24	10.5	30	0.046	4.25	14800	1	6	7500
35	1000	37	35	32	11	39	0.082	12.37	19000	1.5	6	6000
56	4000	53	56	50	15	61	0.31	121	33000	2	6	3750
75	7500	83	74.5	65	25	80	0.87	594	42800	2	6	2850
100	13000	78	100	90	27	106	1.83	2194	62000	2.5	6	2100

Size	Hub Style	Thread Size (transmittable axial force in N)													
		M3	M4	M5	M6	M8	M10	M12	M16	M20	M24	M30	M36	M42	M48
18	Thread D1	510	670	857	1017	1380									
	Thread Length E1	5	6	8	8	10									
	Thread D2	634	1105	1788	2531	4631									
27	Thread D1		670	857	1017	1380	1740								
	Thread Length E1		6	8	8	10	12								
	Thread D2	634	1105	1788	2531	4631	7313								
35	Thread D1					1380	1740	1970	2710						
	Thread Length E1					10	12	15	20						
	Thread D2			1788	2531	4631	7313	10603	9800						
56	Thread D1							1970	2710	3386	4064	5142			
	Thread Length E1							15	20	25	30	36			
	Thread D2					4631	7313	10603	9800	15400	22140	35344			
75	Thread D1									3386	4064	5142	6218		
	Thread Length E1									25	30	36	40		
	Thread D2						7313	10603	9800	15400	22140	35344	51390		
100	Thread D1											5142	6218	7296	8374
	Thread Length E1											36	40	48	55
	Thread D2							10603	9800	15400	22140	35344	51390	70484	92625

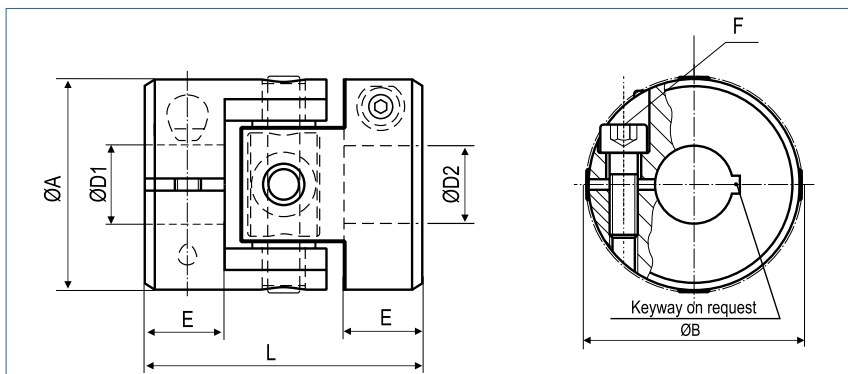
+ **Material** inner ring - aluminium
hub - aluminium
pin - steel

Temperature Range -100 °C ~ 250 °C

Cardan Coupling

with collet clamps

optional full stainless steel version



Order Code

GK-T / 27 - 6 - 10

Type / Size

ØD1 (H7)

ØD2 (H1)

Size	Torque T_{KN} (Nm)	Torque T_{kmax} (Nm)	Dimensions (mm)					Technical Data						
			L Length	Ø A Outer Ø	D1/D2 Bore Sizes (H7)	B	E Hub-Length	F Screw (ISO 4762) TA (Nm)	Mass (kg)	Moment of Inertia J (kg mm ²)	Torsional Stiffness CT (Nm/rad)	Misalignment		max. speed rpm
												radial ΔKr (mm)	angular ΔKw (°)	
18	2	3	24	18	3-10	19	5.5	M2 0.54	0.011	0.526	458	0.6	6	10000
27	5	10	36	27	4-14	30	10.5	M3 1.9	0.040	4.30	802	1	6	7500
35	10	18	37	35	5-20	39	11	M4 4.6	0.069	12.19	1701	1.5	6	6000
56	35	100	53	56	8-32	61	15	M6 15.7	0.278	124	20630	2	6	3750
75	100	250	83	74.5	10-41	80	25	M8 38	0.76	609	51575	2	6	2850
100	250	580	97	100	20-55	106	27	M12 130	1.60	2246	85943	2.5	6	2100

Transmittable torque (Nm) depending on shaft diameter (mm)																									
Size	3	4	6	8	10	14	15	16	18	20	22	24	25	28	30	32	35	38	40	42	45	48	50	55	
18	1.9	2	2.3	2.5	2.8																				
27		6.9	7.4	8.0	8.6																				
35			16.4	17.4	18.5	20.5	20.9	21.6	22.6	23.6															
56				57	59	64	65	66	69	72	73	76	78	80	83	85									
75					143	151	153	156	160	164	166	173	175	181	186	190	196	199	207						
100										475	485	495	504	515	525	530	550	560	575	580	600	615	625	650	



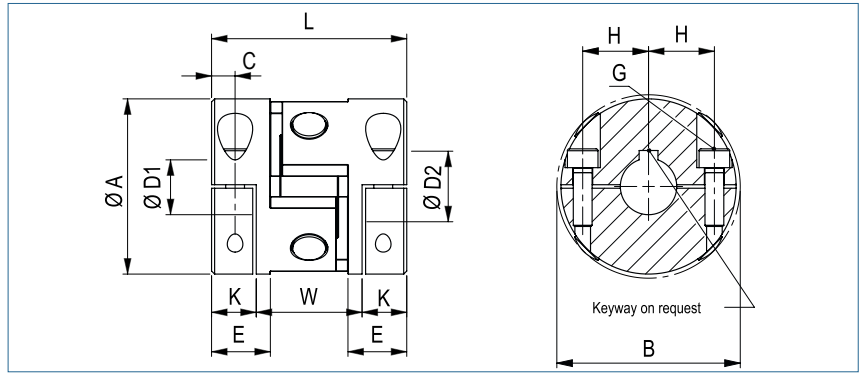
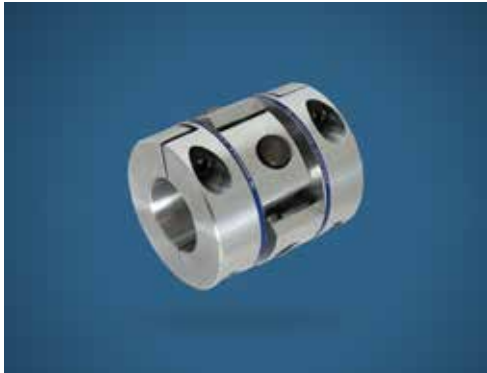
Material inner ring - aluminium
hub - aluminium
pin - steel

Temperature Range -100 °C ~ 250 °C

Cardan Coupling

with split hubs

optional full stainless steel version



Order Code

GK-TH / 27 - 6 - 10

Type / Size

ØD1 (H7)

ØD2 (H1)

Size	Torque T_{KN} (Nm)	Torque T_{Kmax} (Nm)	Dimensions (mm)									Technical Data						
			L Length	Ø A Outer Ø	D1/D2 Bore Sizes (H7)	B	C	K	W	H	E Hub-Length	F Screw (ISO 4762) TA (Nm)	Mass (kg)	Moment of Inertia J (kg mm ²)	Torsional Stiffness CT (Nm/rad)	Misalignment radial Δ Kr (mm)	angular Δ Kw (°)	max. speed rpm
27	5	10	36	27	4-14	30	3.5	7.5	21	10	10.5	M3 1.9	0.040	4.30	802	1	6	7500
35	10	18	37	35	5-20	39	4.5	8.5	20	13	11	M4 4.6	0.069	12.19	1701	1.5	6	6000
56	35	100	53	56	8-32	61	6.5	12	29	20	15	M6 15.7	0.278	124	20630	2	6	3750
75	100	250	83	74.5	10-41	80	10	19	45	28	25	M8 38	0.76	609	51575	2	6	2850
100	250	580	97	100	20-55	106	12	21.5	54	37.5	27	M12 130	1.60	2246	85943	2.5	6	2100

Transmittable torque (Nm) depending on shaft diameter (mm)																							
Size	4	6	8	10	14	15	16	18	20	22	24	25	28	30	32	35	38	40	42	45	48	50	55
27	5.8	8.7	11.5	14.4	20.2																		
35		15.5	20.7	25.8	36.1	38.7	41.3	46.5	51.6														
56			47.4	59.3	83	88.9	94.8	106.7	118.5	130.4	142.2	148.1	165.9	177.8	189.6								
75				109	152	163	174	195	217	239	261	271	304	326	347	380	413	434					
100									503	553	603	628	704	754	804	879	955	1005	1055	1131	1206	1256	1382

+ **Material** inner ring - aluminium
hub - aluminium
pin - steel

Temperature Range -100 °C ~ 250 °C

LINE SHAFTS

DRE | 9 ~ 48

Line Shaft
split hubs and servo inserts



P. 51

DRB | 4.5 ~ 500

Line Shaft
with split hubs and metal bellows



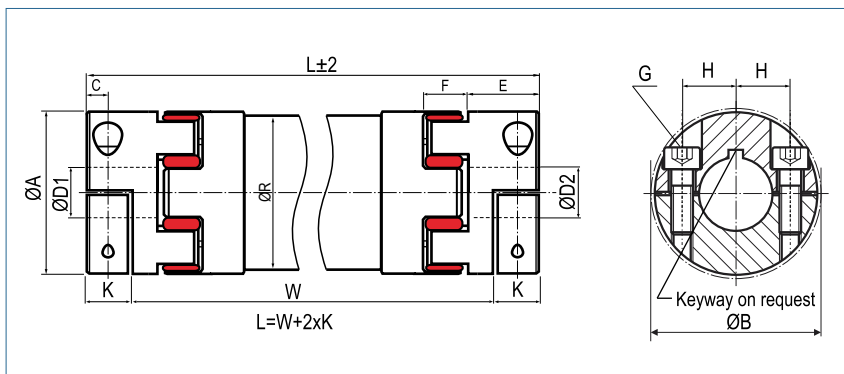
P. 52

Line Shaft

with split hubs and servo inserts

optional laserwelded
optional full stainless steel version

optional with carbon tube



Order Code

DRE / 19 - 2000 - 10 - 16 - 98Sh

Type / Size Length ØD1 (H7) ØD2 (H7) Shore-hardness

Size	Dimensions (mm)											Technical Data		Torque (Nm)				
	Ø D1/D2		Ø A	E	K	F	L		R	B	C	H	G ISO4762	CT/m (Nm/rad)	64 ShoreD (green)	98 ShoreA (red)	92 ShoreA (yellow)	80 ShoreA (blue)
	min	max					min	max										
9	4	11	20	10	8	10	90	3000	20	23.5	5	7	M2.5 0.85	300	6	5	3	1.8
12	4	12	25	11	8	12	95	3000	25	27.2	5	8.25	M3 2	550	12	9	5	3
14	4	16	30	11	8	13	102	3000	30	34	5	10.5	M4 5	500	16	12.5	7.5	4
19	8	21	40	25	19.5	16	133	3000	35	46	8.0	14.5	M6 15	1770	26	21	12	6
24	10	32	55	30	22.0	18	157	3000	50	57.5	10.5	20	M6 15	6400	75	60	35	17
28	14	37	65	35	25.0	20	181	3000	60	73	11.5	25	M8 40	11400	200	160	95	46
38	18	48	80	45	33.0	24	229	3000	75	83.5	15.5	30	M8 40	23000	405	325	190	x
42	22	50	95	50	36.5	26	253	3000	100	93.5	18.0	32	M10 84	194000	560	450	265	x
48	22	57	105	56	39.5	28	281	3000	100	105	18.5	36	M12 145	194000	655	525	310	x

Size	Transmittable torque (Nm) depending on shaft diameter (mm)																									
	4	6	8	10	14	15	16	18	19	20	22	24	25	28	30	32	35	38	40	42	45	46	48	50	55	
9	2.6	3.9	5.2	6.5																						
12	5.8	8.7	11.7	14.6	20.4	21.8	23.3																			
14	10.3	15.5	20.7	25.8	36.1	38.7	41.3																			
19			47	59	83	89	95	107	113	119																
24				59	83	89	95	107	113	119	130	142	148	166	178	190										
28					123	132	141	159	167	176	194	211	220	247	264	282	308	335								
38								159	167	176	194	211	220	247	264	282	308	335	352	370	396					
42											370	404	420	471	505	538	589	639	673	706	757	774	807	841		
48											539	588	612	686	735	784	857	931	980	1029	1102	1127	1176	1225	1347	



Material hub: aluminium
spider element: polyurethane
tube: aluminium

Hub bore tolerance: H7

Keyway optional acc. DIN 6885

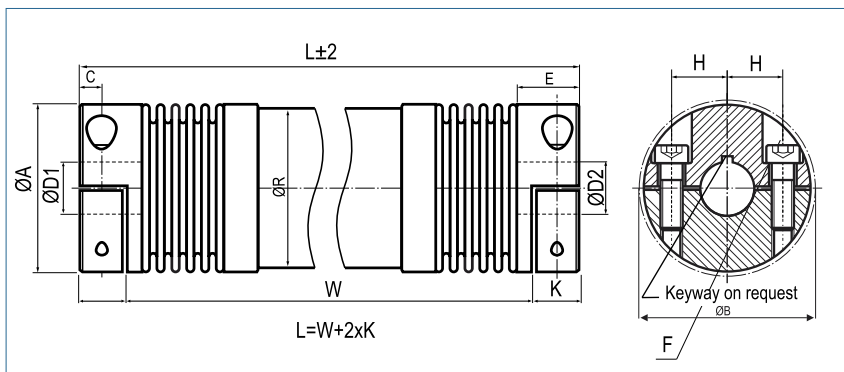
Longer versions up to 6m on request!
Information about permissible misalignments and maximum speeds are available in our assembly - instructions.
Further spider elements and technical data are available on page 44 and 45.
All series are available with loose-fit spiders (see page 45).

Line Shaft

with split hubs and metal bellows

optional laserwelded
optional full stainless steel version

optional with carbon tube



Order Code

DRB / 60 - 2000 - 15 - 20 - (S)

Type / Size

Length

ØD1 (H7)

ØD2 (H7)

Options

Size	Torque TKN (Nm)	Dimensions (mm)										Technical Data		
		L		Ø A	D1/D2	H	C	E	K	F	R	B	Spring Stiffness	
		min	max	Outer Ø	Bore Sizes (H7)					Screw (ISO4762) TA (Nm)	Tube Ø	Ø	Torsion Bellows $C_t \cdot 10^3$ (Nm/rad)	Torsion Shaft $C_s \cdot 10^3$ (Nm/rad)
4.5	4.5	68	3000	32.5	6-16	12	5	14	8.5	M4 3,5	30	34	3.2	0.5
10	10	82	3000	40.5	6-25	15.5	5	14	9	M4 4,5	35	41.5	4.1	1.8
18	18	108	3000	45	10-25.4	17	5.5	19.5	13	M5 8	35	47.4	10	1.8
30	30	111	3500	56	10-30	20	7.5	27	17	M6 15	50	56.4	19	6.5
60	60	135	4000	66	12-35	23	9.5	31	21	M8 40	60	66	37.5	11.5
150	150	154	4000	82	14-44	28	11	36	23.5	M10 84	75	82.9	77.5	23
200	200	169	4000	90	16-48	31	12.5	41	27	M12 125	90	90.8	87.5	73
300	300	179	4000	110	20-60	40	13	43	28	M12 145	100	110	251	194
500	500	215	4000	122	25-65	42	15	51	35.5	M12 145	100	122	345	194



Material bellows - stainless steel
hub - aluminium
tube - aluminium

Keyway optional acc. DIN 6885

Temperature Range -30 °C ~ 120°C

Longer versions up to 6m on request!

Bellows fail protect system is automatically integrated.

Information about permissible misalignments and maximum speeds are available in our assembly - instructions.

Slit Couplings

KBFK | 16 ~ 80

Slit Coupling
with collet clamps



P. 54

KBFH | 30 ~ 80

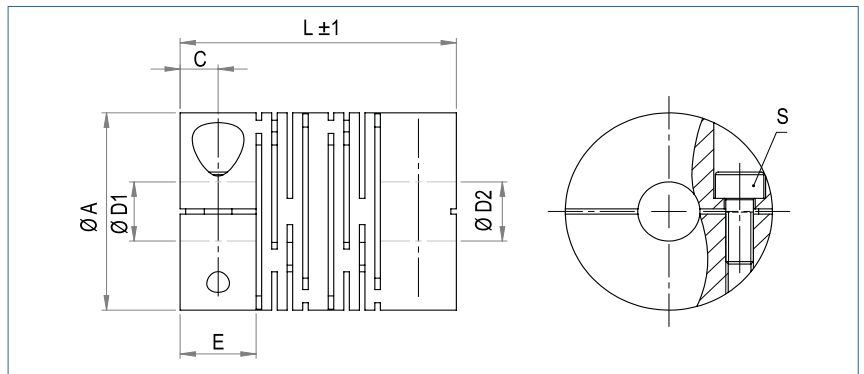
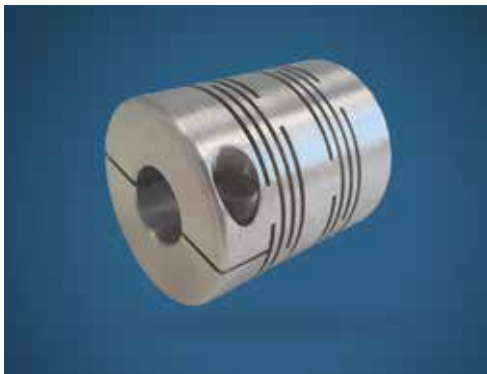
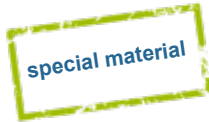
Slit Coupling
with split hubs



P. 55

Slit Coupling

with collet clamps



Order Code

KBFK / 30 - 8 - 12 - AL

Type / Size

ØD1
(H7)

ØD2
(H7)

Material

Size	Torque TKN (Nm) AL	Torque TKN (Nm) VA	Dimensions (mm)						Technical Data										
			L	Ø A	D1/D2		E	C	S	Mass (g) AL	Mass (g) VA	Moment of Inertia J AL (g m ²)	Moment of Inertia J VA (g m ²)	Spring Stiffness		Misalignment			max speed min-1
			Length	Outer Ø	Bore Size (H7) min-max			Screw (ISO4762) TA (Nm)	torsional CT 10° (Nm/rad) AL					torsional CT 10° (Nm/rad) VA	radial ΔKr (mm)	axial ΔKa (mm)	angular ΔKw (°)		
16	3	6	23	16	3-6	7	3.5	M2.5x6 1	10	26	0.00028	0.00080	0.076	0.513	0.15	0.5	2.0	10000	
18	3	6	16.6	18	3-6	5	2.5	M2.5x8 1	10	24	0.00045	0.00099	0.103	0.752	0.15	0.5	2.0	10000	
20	5	12	28	20	3-8	8	4	M3x8 1.5	20	50	0.00095	0.00288	0.407	1.189	0.1	1	1.0	9500	
22	3	6	20	22	3-10	5.5	2.75	M2.5x8 1	18	40	0.00115	0.00260	0.690	1.372	0.15	1	1.0	9500	
25	7	16	28	25	6-12	8	4	M3x10 1.5	30	75	0.00239	0.00648	0.733	1.558	0.1	1	1.0	8000	
30	10	25	40	30	6-14	11	5.5	M4x10 3.4	60	160	0.00680	0.01920	0.868	2.530	0.1	0.85	1.0	6000	
40	19	36	48	40	6-19	11	5.5	M5x14 7	120	340	0.02790	0.07580	3.767	11.008	0.15	0.85	1.0	5000	
50	35	73	65	50	10-26	19	9.5	M6x16 14	250	710	0.08970	0.24600	7.196	20.995	0.15	0.7	1.5	5000	
60	70	110	80	60	10-30	25	12.5	M8x18 27	500	1340	0.23200	0.64800	12.750	37.165	0.15	0.7	1.5	4500	
70	130	190	95	70	15-35	25	12.5	M8x25 27	750	2050	0.50660	1.39200	66.768	196.024	0.1	0.33	1.0	4000	
80	180	240	100	80	20-40	25	12.5	M8x30 27	1000	2730	0.89010	2.48550	78.189	229.524	0.1	0.33	1.0	3500	



Material coupling: aluminium or stainless steel

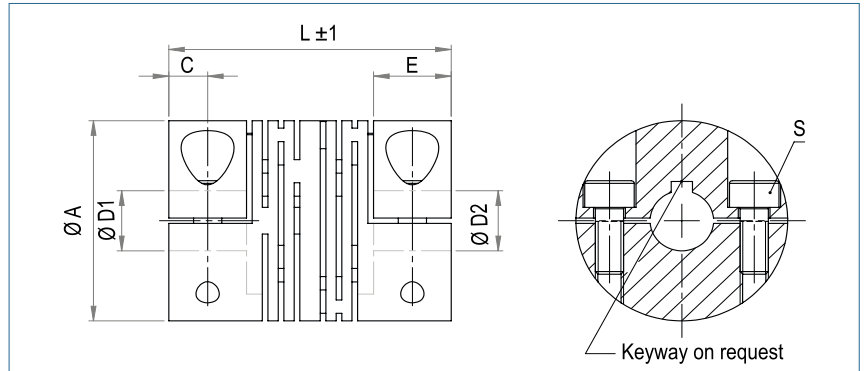
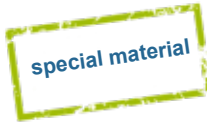
Hub bore tolerance: H7

Keyway Only available for equal bore diameters – please contact our technical department

Special material on request.

Slit Coupling

with split hubs



Order Code

KBFH / 40 - 10 - 16 - VA

Type / Size

ØD1
(H7)

ØD2
(H7)

Material

Size	Torque TKN (Nm) AL	Torque TKN (Nm) VA	Dimensions (mm)						Technical Data									
			L	Ø A	D1/D2	E	C	S	Mass (g) AL	Mass (g) VA	Moment of Intertia J AL (g m²)	Moment of Intertia J VA (g m²)	Spring Stiffness		Misalignment			max speed min-1
			Length	Outer Ø	Bore Size (H7) min-max	Screw (ISO4762) TA (Nm)	torsional CT 10³ (Nm/rad) AL	torsional CT 10³ (Nm/rad) VA					radial ΔKr (mm)	axial ΔKa (mm)	angular ΔKw (°)			
25	7	16	28	25	6-12	8	4	M3x10 1.5	27	74	0.00228	0.00631	0.733	1.558	0.1	1	1.0	8000
30	10	25	40	30	6-14	11	5.5	M4x10 3.4	55	160	0.00680	0.01860	0.868	2.530	0.1	0.85	1.0	6000
40	19	36	48	40	6-19	11	5.5	M5x14 7	118	340	0.02790	0.07580	3.767	11.008	0.15	0.85	1.0	5000
50	35	73	65	50	10-26	19	9.5	M6x16 14	250	685	0.08970	0.24600	7.196	20.995	0.15	0.7	1.5	5000
60	70	110	80	60	10-30	25	12.5	M8x18 27	500	1305	0.25370	0.69400	12.750	37.165	0.15	0.7	1.5	4500
70	130	190	95	70	15-35	25	12.5	M8x25 27	750	2075	0.50660	1.40700	66.768	196.024	0.1	0.33	1.0	4000
80	180	240	100	80	20-40	25	12.5	M8x30 27	1040	2755	0.96240	2.62000	78.189	229.524	0.1	0.33	1.0	3500



Material	coupling: aluminium or stainless steel
Hub	bore tolerance: H7
Keyway	optional acc. DIN 6885
Special material on request.	

RIGID SHAFT COUPLINGS

KBST

Rigid Shaft Coupling
single slit



57/58

KBST - VA

Rigid Shaft Coupling
single slit, in stainless steel



59/60

KBST - G

Rigid Shaft Coupling
split



61/62

KBST - G - VA

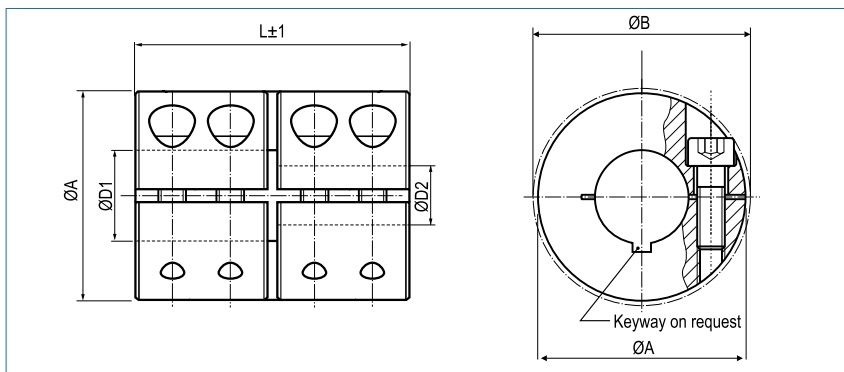
Rigid Shaft Coupling
split, in stainless steel



63/64

Rigid Shaft Coupling

single slit



Order Code for Standard Coupling

KBST - 50

This coupling will automatically be supplied with unique bore 50H7.

Type Size

Order Code for Coupling with different Bore Diameters

KBST - 50 - 45 - 48

This coupling will be supplied with the dimensions of type KBST-50 but with a bore combination 45H7 - 48H7.

Type Size D1 D2

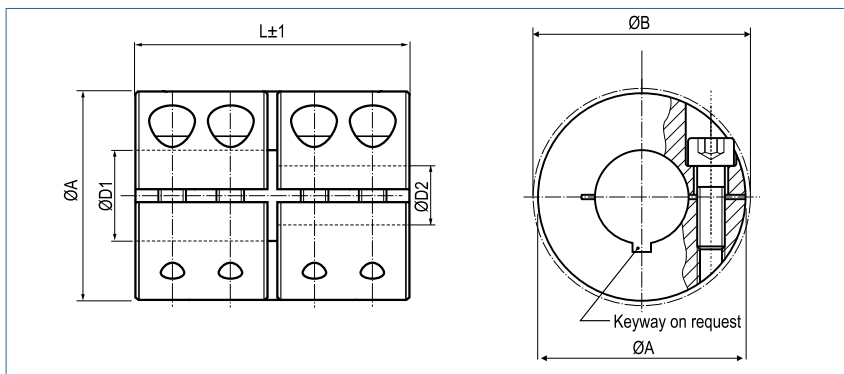
Rigid shaft coupling - Steel blackened									
Size	Torque Steel Nm	Dimensions					Screw (ISO4762)	Tightening Torque Screws Nm	Mass g
		Standard Bore D1 / D2 H7	different Bores min-max	A mm	B mm	L mm			
6	30	6	5-7	18	21.2	30	M3x8	2	47
8	50	8	5-12	24	26.8	35	M3x10	3	102
10	100	10	5-15	29	32.7	45	M4x12	4.5	185
12	100	12	5-15	29	32.7	45	M4x12	4.5	180
14	190	14	10-17	34	39.1	50	M5x16	9	272
15	190	15	10-17	34	39.1	50	M5x16	9	266
16	190	16	10-17	34	39.1	50	M5x16	9	261
20	350	20	10-24	42	48.2	65	M6x16	15	518
25	390	25	10-26	45	50.8	75	M6x16	15	623
30	475	30	20-32	53	58.1	83	M6x18	15	920
35	1100	35	20-40	67	74.1	95	M8x25	40	1880
40	1325	40	30-50	77	83.4	108	M8x25	40	2710
50	2250	50	40-52	85	93.2	124	M10x25	84	3520

Transmittable torque (Nm) depending on shaft diameter (mm)																							
Size	5	6	8	10	12	14	16	18	20	22	24	26	28	30	32	34	36	38	40	44	46	48	50
6	18	19																					
8	25	26	29	31	33																		
10	51	53	57	61	65	69																	
12	51	53	57	61	65	69																	
14				109	116	122	129																
15				109	116	122	129																
16				109	116	122	129																
20				195	205	214	223	233	242	251	261												
25				209	219	228	237	247	256	265	275	284											
30									284	293	303	312	321	330	340								
35									582	599	616	632	649	666	682	699	716	732	749				
40														749	765	782	799	815	832	865	882	899	915
50																			1400	1453	1479	1506	1532

+ Keyways according DIN 6885/1 are only possible in unique bore diameters.

Rigid Shaft Coupling

single slit



Order Code for Standard Coupling

KBST - 80

This coupling will automatically be supplied with unique bore 80H7.

Type Size

Order Code for Coupling with different Bore Diameters

KBST - 80 - 75 - 90

This coupling will be supplied with the dimensions of type KBST-80 but with a bore combination 75H7 - 90H7.

Type Size D1 D2

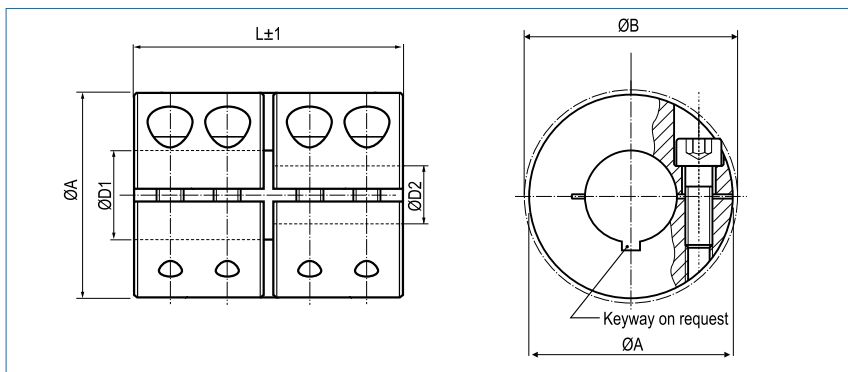
Rigid shaft coupling - Steel blackened									
Size	Torque Steel Nm	Dimensions					Screw(ISO4762)	Tightening Torque Screws Nm	Mass g
		Standard Bore D1 / D2 H7	different Bores min-max	A mm	B mm	L mm			
55	3000	55	45-58	93	99.5	140	M10x30	84	4240
60	3300	60	50-64	100	105	150	M10x30	84	5100
65	4000	65	60-72	115	120	200	M12x35	144	9350
70	4800	70	65-78	122	125.5	220	M12x40	144	11510
75	5500	75	70-88	133	136	220	M12x40	144	12550
80	6800	80	75-92	138	140	220	M12x45	144	13670
85	7500	85	75-92	148	155	250	M16x45	354	19550
90	8400	90	80-100	157	162	280	M16x50	354	23990
95	10000	95	80-100	167	176	300	M20x55	590	31080
100	12500	100	80-104	173	181	320	M20x55	590	35590

Transmittable torque (Nm) depending on shaft diameter (mm)																						
Size	45	48	50	52	55	58	60	64	65	70	72	75	78	80	85	88	90	95	100	104		
55	1572	1611	1638	1664	1704	1743																
60			1717	1743	1783	1823	1849	1902														
65							2886	2963	2982	3078	3117											
70									3098	3194	3232	3290	3348									
75										3425	3463	3521	3579	3617	3713	3771						
80												3598	3656	3694	3790	3848	3886					
85												6758	6867	6939	7120	7228	7300					
90														7228	7409	7517	7589	7770	7951			
95															9865	10107	10252	10349	10591	10833		
100																10156	10397	10542	10639	10881	11123	11316

+ **Keyways** according to DIN 6885/1 are only possible in unique bore diameters.

Rigid Shaft Coupling

single slit in stainless steel



Order Code for Standard Coupling

KBST-VA - 50

Type Size

This coupling will automatically be supplied with unique bore 50H7.

Order Code for Coupling with different Bore Diameters

KBST-VA - 50 - 45 - 48

Type Size D1 D2

This coupling will be supplied with the dimensions of type KBST-50 but with a bore combination 45H7 - 48H7.

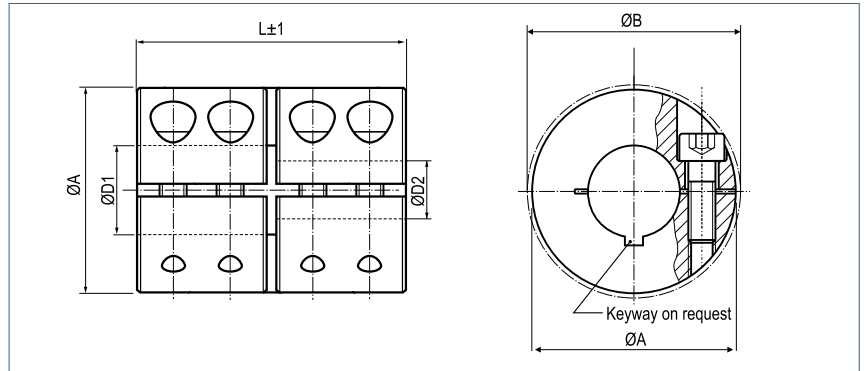
Rigid shaft coupling - Stainless Steel									
Size	Torque Stainless Steel Nm	Dimensions					Screw (ISO4762)	Tightening Torque Screws Nm	Mass g
		Standard Bore D1 / D2 H7	different Bores min-max	A mm	B mm	L mm			
6	25	6	5-7	18	21.2	30	M3x8	1.6	47
8	40	8	5-12	24	26.8	35	M3x10	1.6	102
10	90	10	5-15	29	32.7	45	M4x12	3.9	185
12	90	12	5-15	29	32.7	45	M4x12	3.9	180
14	160	14	10-17	34	39.1	50	M5x16	7.6	272
15	160	15	10-17	34	39.1	50	M5x16	7.6	266
16	160	16	10-17	34	39.1	50	M5x16	7.6	261
20	300	20	10-24	42	48.2	65	M6x16	13.2	518
25	325	25	10-26	45	50.8	75	M6x16	13.2	623
30	400	30	20-32	53	58.1	83	M6x18	13.2	920
35	925	35	20-40	67	74.1	95	M8x25	32	1880
40	1100	40	30-50	77	83.4	108	M8x25	32	2710
50	1875	50	40-52	85	93.2	124	M10x25	63	3520

Transmittable torque (Nm) depending on shaft diameter (mm)																					
Size	5	6	8	10	12	14	18	20	24	26	28	30	32	38	40	42	44	46	48	50	52
6	15	16																			
8	21	22	23	25	27																
10	44	45	49	52	56	59															
12	44	45	49	52	56	59															
14				93	98	104															
15				93	98	104															
16				93	98	104															
20				167	175	183	199	207	223												
25				179	187	195	211	219	235	243											
30								243	259	267	274	282	290								
35								510	539	553	568	582	597	641	655						
40												655	670	713	728	743	757	772	786	801	
50															1226	1250	1273	1296	1319	1342	1365

+ Keyways according DIN 6885/1 are only possible in unique bore diameters.

Rigid Shaft Coupling

single slit in stainless steel



Order Code for Standard Coupling

KBST-VA - 80

Type Size

This coupling will automatically be supplied with unique bore 80H7.

Order Code for Coupling with different Bore Diameters

KBST-VA - 80 - 75 - 90

Type Size D1 D2

This coupling will be supplied with the dimensions of type KBST-80 but with a bore combination 75H7 - 90H7.

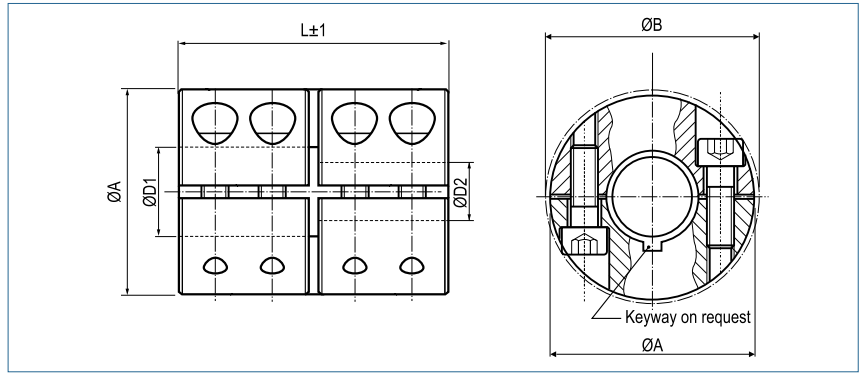
Rigid shaft coupling - Stainless Steel									
Size	Torque Stainless Steel Nm	Dimensions					Screw (ISO4762)	Tightening Torque Screws Nm	Mass g
		Standard Bore D1 / D2 H7	different Bores min-max	A mm	B mm	L mm			
55	2500	55	45-58	93	99.5	140	M10x30	63	4240
60	2750	60	50-64	100	105	150	M10x30	63	5100
65	3335	65	60-72	115	120	200	M12x35	108	9350
70	4000	70	65-78	122	125.5	220	M12x40	108	11510
75	4585	75	70-88	133	136	220	M12x40	108	12550
80	5660	80	75-92	138	140	220	M12x45	108	13670
85	6250	85	75-92	148	155	250	M16x45	264	19550
90	7000	90	80-100	157	162	280	M16x50	264	23990
95	8335	95	80-100	167	176	300	M20x55	363	31080
100	10400	100	80-104	173	181	320	M20x55	363	35590

Transmittable torque (Nm) depending on shaft diameter (mm)																				
Size	45	48	50	52	55	58	60	64	65	70	72	75	78	80	85	88	90	95	100	104
55	1392	1427	1451	1474	1509	1544														
60			1521	1544	1580	1615	1638	1685												
65							1755	1802	1814	1872	1895									
70									1884	1942	1966	2001	2036							
75										2083	2106	2141	2176	2200	2258	2293				
80												2188	2223	2246	2305	2340	2363			
85												5932	6027	6090	6249	6344	6407			
90														6344	6503	6598	6661	6820	6978	
95														7107	7282	7386	7456	7630	7804	
100														7316	7491	7595	7665	7839	8013	8153

+ **Keyways** according DIN 6885/1 are only possible in unique bore diameters.

Rigid Shaft Coupling

split



Order Code for Standard Coupling

KBST-G - 50

Type Size

This coupling will automatically be supplied with unique bore 50H7.

Order Code for Coupling with different Bore Diameters

KBST-G - 50 - 45 - 48

Type Size D1 D2

This coupling will be supplied with the dimensions of type KBST-50 but with a bore combination 45H7 - 48H7.

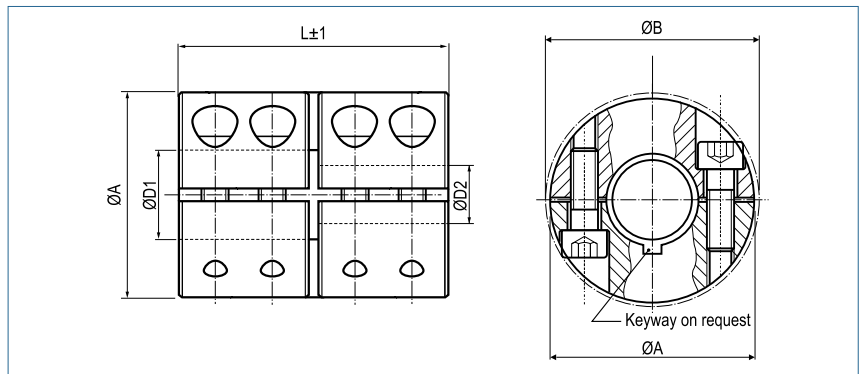
Rigid Shaft Coupling split - Steel blackened									
Size	Torque Steel Nm	Dimensions					Screws (ISO4762)	Tightening Torque Screws Nm	Mass g
		Standard Bore D1 / D2 H7	different Bores min-max	A mm	B mm	L mm			
6	30	6	5-7	18	21.2	30	M3x8	2	47
8	50	8	5-12	24	26.8	35	M3x10	3	102
10	100	10	5-15	29	32.7	45	M4x12	4.5	185
12	100	12	5-15	29	32.7	45	M4x12	4.5	180
14	190	14	10-17	34	39.1	50	M5x16	9	272
15	190	15	10-17	34	39.1	50	M5x16	9	266
16	190	16	10-17	34	39.1	50	M5x16	9	261
20	350	20	10-24	42	48.2	65	M6x16	15	518
25	390	25	10-26	45	50.8	75	M6x16	15	623
30	475	30	20-32	53	58.1	83	M6x18	15	920
35	1100	35	20-40	67	74.1	95	M8x25	40	1880
40	1325	40	30-50	77	83.4	108	M8x25	40	2710
50	2250	50	40-52	85	93.2	124	M10x25	84	3520

Transmittable torque (Nm) depending on shaft diameter (mm)																					
Size	5	6	8	10	12	14	16	18	20	22	26	28	30	32	34	38	42	44	48	50	52
6	29	35																			
8	29	35	47	58	70																
10	52	62	83	103	124	145															
12	52	62	83	103	124	145															
14				168	202	235	269														
15				168	202	235	269														
16				168	202	235	269														
20				237	284	332	379	427	474	521											
25				237	284	332	379	427	474	521	616										
30									474	521	616	664	711	758							
35									847	932	1102	1186	1271	1356	1441	1610					
40													1271	1356	1441	1610	1780	1864	2034	2119	
50																	2825	2960	3229	3363	3498

+ Keyways according DIN 6885/1 are possible for all bore combinations.

Rigid Shaft Coupling

split



Order Code for Standard Coupling

KBST-G - 80

Type Size

This coupling will automatically be supplied with unique bore 80H7.

Order Code for Coupling with different Bore Diameters

KBST-G - 80 - 75 - 90

Type Size D1 D2

This coupling will be supplied with the dimensions of type KBST-80 but with a bore combination 75H7 - 90H7.

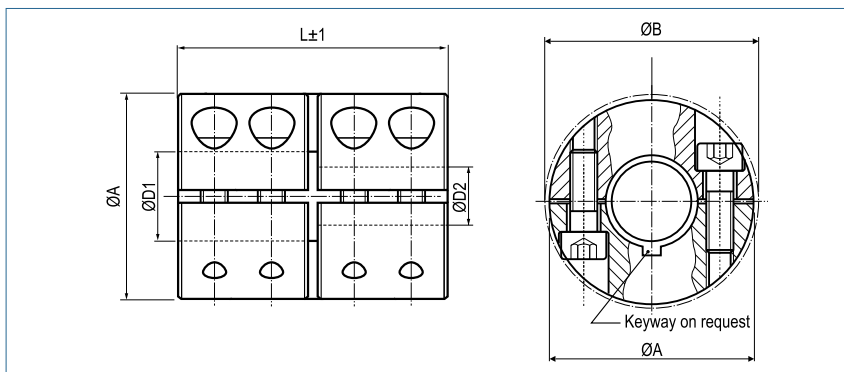
Rigid Shaft Coupling split - Steel blackened									
Size	Torque Steel Nm	Dimensions					Screws (ISO4762)	Tightening Torque Screws Nm	Mass g
		Standard Bore D1 / D2 H7	different Bores min~max	A mm	B mm	L mm			
55	3000	55	45-58	93	99.5	140	M10x30	84	4015
60	3300	60	50-64	100	105	150	M10x30	84	4860
65	4000	65	60-72	115	120	200	M12x35	144	8960
70	4800	70	65-78	122	125.5	220	M12x40	144	10900
75	5500	75	70-88	133	136	220	M12x40	144	12390
80	6800	80	75-92	138	140	220	M12x45	144	13170
85	7500	85	75-92	148	155	250	M16x45	354	18680
90	8400	90	80-100	157	162	280	M16x50	354	23080
95	10000	95	80-100	167	176	300	M20x55	590	29530
100	12500	100	80-104	173	181	320	M20x55	590	33990

Transmittable torque (Nm) depending on shaft diameter (mm)																				
Size	45	48	50	52	55	58	60	64	65	70	72	75	78	80	85	88	90	95	100	104
55	3144	3223	3276	3328	3408	3487														
60			3434	3487	3566	3645	3698	3804												
65							5772	5926	5964	6157	6234									
70									6195	6388	6465	6580	6696							
75										6849	6926	7042	7157	7234	7427	7542				
80												7196	7311	7388	7581	7696	7773			
85												13516	13733	13878	14239	14456	14601			
90														14456	14817	15034	15179	15540	15902	
95														19731	20214	20505	20698	21182	21665	
100														20311	20795	21085	21278	21762	22246	22632

+ Keyways according DIN 6885/1 are possible for all bore combinations.

Rigid Shaft Coupling

split, in stainless steel



Order Code for Standard Coupling

KBST-G-VA - 50

This coupling will automatically be supplied with unique bore 50H7.

Type Size

Order Code for Coupling with different Bore Diameters

KBST-G-VA - 50 - 45 - 48

This coupling will be supplied with the dimensions of type KBST-50 but with a bore combination 45H7 - 48H7.

Type Size D1 D2

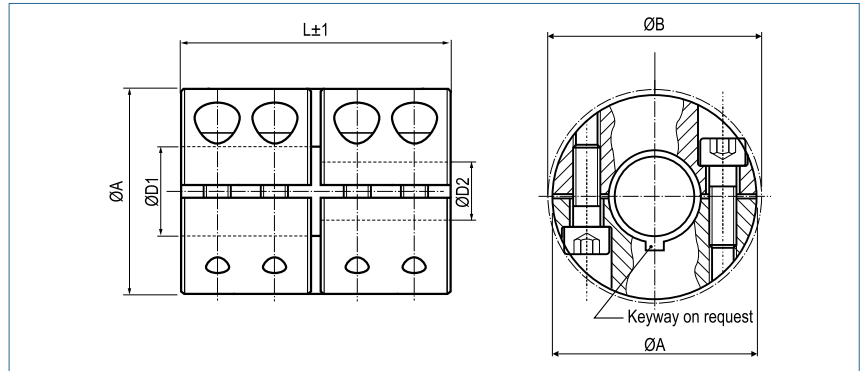
KBST - G - VA Rigid Shaft Coupling split - Stainless Steel									
Size	Torque Stainless Steel Nm	Dimensions					Screws (ISO4762)	Tightening Torque Screws Nm	Mass g
		Standard Bore D1 / D2 H7	different Bores min~max	A mm	B mm	L mm			
6	25	6	5-7	18	21.2	30	M3x8	1.6	47
8	40	8	5-12	24	26.8	35	M3x 10	1.6	102
10	90	10	5-15	29	32.7	45	M4x 12	3.9	185
12	90	12	5-15	29	32.7	45	M4x 12	3.9	180
14	160	14	10-17	34	39.1	50	M5x 16	7.6	272
15	160	15	10-17	34	39.1	50	M5x 16	7.6	266
16	160	16	10-17	34	39.1	50	M5x 16	7.6	261
20	300	20	10-24	42	48.2	65	M6x 16	13.2	518
25	325	25	10-26	45	50.8	75	M6x 16	13.2	623
30	400	30	20-32	53	58.1	83	M6x 18	13.2	920
35	925	35	20-40	67	74.1	95	M8x 25	32	1880
40	1100	40	30-50	77	83.4	108	M8x 25	32	2710
50	1875	50	40-52	85	93.2	124	M10x 25	63	3520

Transmittable torque (Nm) depending on shaft diameter (mm)																				
Size	5	6	12	14	16	18	20	22	24	28	30	32	34	36	38	40	44	46	50	52
6	24	29																		
8	24	29	57																	
10	44	53	106	124																
12	44	53	106	124																
14			172	200	229															
15			172	200	229															
16			172	200	229															
20			243	284	324	365	405	446	486											
25			243	284	324	365	405	446	486											
30							405	446	486	567	608	648								
35							742	816	890	1038	1112	1186	1261	1335	1409	1483				
40											1112	1186	1261	1335	1409	1483	1631	1706	1854	
50																2357	2593	2711	2946	3064

+ **Keyways** according to DIN 6885/1 are possible for all bore combinations.

Rigid Shaft Coupling

split, in stainless steel



Order Code for Standard Coupling

KBST-G-VA - 80

Type

Size

This coupling will automatically be supplied with unique bore 80H7.

Order Code for Coupling with different Bore Diameters

KBST-G-VA - 80 - 75 - 90

Type

Size

D1

D2

This coupling will be supplied with the dimensions of type KBST-80 but with a bore combination 75H7 - 90H7.

KBST - G - VA Rigid Shaft Coupling split - Stainless Steel									
Size	Torque Stainless Steel Nm	Dimensions					Screws (ISO4762)	Tightening Torque Screws Nm	Mass g
		Standard Bore D1 / D2 H7	different Bores min-max	A mm	B mm	L mm			
55	2500	55	45-58	93	99.5	140	M10x30	63	4015
60	2750	60	50-64	100	105	150	M10x30	63	4860
65	3335	65	60-72	115	120	200	M12x35	108	8960
70	4000	70	65-78	122	125.5	220	M12x40	108	10900
75	4585	75	70-88	133	136	220	M12x40	108	12390
80	5660	80	75-92	138	140	220	M12x45	108	13170
85	6250	85	75-92	148	155	250	M16x45	264	18680
90	7000	90	80-100	157	162	280	M16x50	264	23080
95	8335	95	80-100	167	176	300	M20x55	363	29530
100	10400	100	80-104	173	181	320	M20x55	363	33990

Transmittable torque (Nm) depending on shaft diameter (mm)																				
Size	45	48	50	52	55	58	60	64	65	70	72	75	78	80	85	88	90	95	100	104
55	2785	2855	2902	2948	3019	3089														
60			3042	3089	3159	3229	3276	3370												
65							3510	3604	3627	3744	3791									
70									3767	3884	3931	4001	4072							
75										4165	4212	4282	4352	4399	4516	4586				
80												4376	4446	4493	4610	4680	4727			
85												11863	12054	12180	12498	12688	12815			
90														12688	13005	13196	13322	13640	13957	
95														14215	14563	14772	14912	15260	15608	
100														14633	14981	15190	15330	15678	16026	16305



Keyways

according DIN 6885/1 are possible for all bore combinations.

Collars

KR | 4 ~ 50

Collar
single slit



P. 66

KR-G | 4 ~ 50

Collar
split

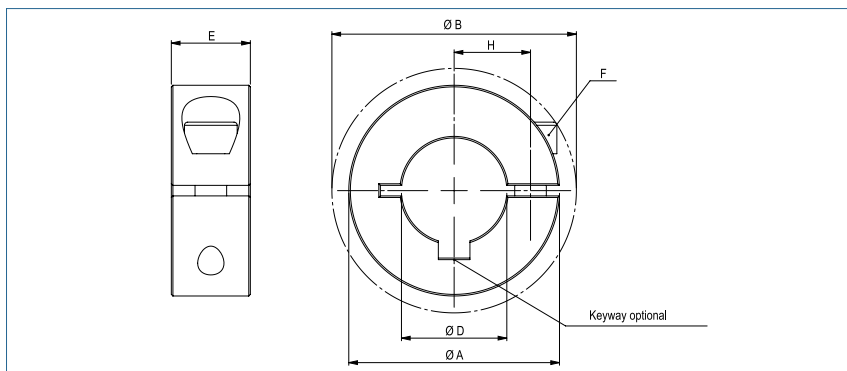
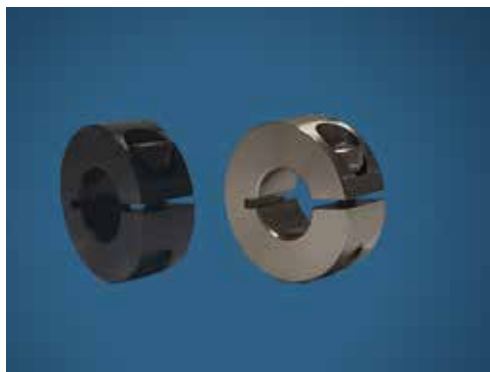


P. 67

Collar

single slit

optional full stainless steel version



Order Code **KR** - **28** **steel blackened**
Type Size

Order Code **KR-VA** - **28** **stainless steel**
Type Size

Collar single slit											
Size	axial force N		Dimensions					F Screw (ISO4762)	Tightening Torque Screws Nm		Mass kg
	steel	stainless steel (VA)	Standard Bore D / H7	A mm	H mm	E mm	B mm		steel	stainless steel (VA)	
4	1525	867	4	16	5	9	20.7	M3x8	2	1.3	0.010
5	1525	867	5	16	5	9	20.7	M3x8	2	1.3	0.011
6	1525	867	6	16	5	9	20.7	M3x8	2	1.3	0.011
8	1525	867	8	18	6	9	22.4	M3x8	2	1.3	0.012
10	1335	758	10	24	8	9	26	M3x10	2	1.3	0.022
12	2415	1398	12	28	9.5	11	31.8	M4x12	5	3	0.039
15	3940	2288	15	34	12	13	39.4	M5x16	10	6	0.065
16	3940	2288	16	34	12	13	39.4	M5x16	10	6	0.063
18	3803	2208	18	36	13	13	41.1	M5x16	10	6	0.069
20	5540	4612	20	40	14.5	15	46.4	M6x18	15	10	0.097
22	5378	4477	22	42	15.5	15	48.1	M6x18	15	10	0.103
25	5236	4358	25	45	16.5	15	50.8	M6x18	15	10	0.144
28	5053	4206	28	48	18	15	53.7	M6x18	15	10	0.123
30	4809	4003	30	54	21	15	58.6	M6x18	15	10	0.163
40	4468	3719	40	60	25	15	65	M6x18	15	10	0.163
50	8135	4729	50	78	32	19	87	M8x25	42	25	0.386

Bore tolerance	H7
Material	steel blackened stainless steel blank
Keyway	optional acc. DIN 6885
Temperature Range	-40 °C ~ 175 °C



Hannelore Foré
ZAAKVOERDER
hannelore@vicoparts.be
T +32 56 49 75 58



Lynda Decroix
COMMERCIELE ASSISTENTE
lynda@vicoparts.be
T +32 56 49 75 58

VICO PARTS BV

Het Lindeke 4 | 18880 Sint-Eloois-Winkel | T + 32 56 49 75 58 | www.vicoparts.be | info@vicoparts.be