

# UMBROSA

UNIQUE SHADE DESIGN



# INFINA

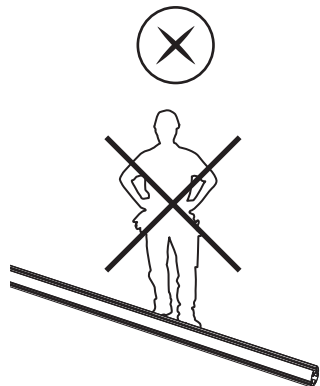
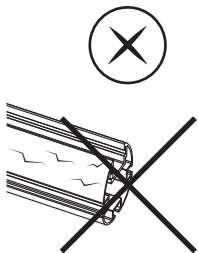
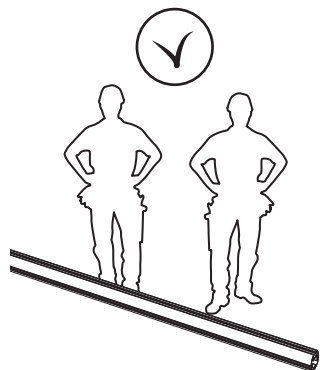
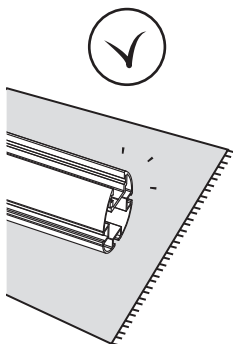
# UMBROSA

UNIQUE SHADE DESIGN

- ENG** Congratulations with your purchase! Please completely read and follow all the instructions.
- NL** Proficiat met uw aankoop! Gelieve alle instructies te lezen en op te volgen.
- FR** Félicitations avec votre achat. Lisez svp les instructions complètes.
- DE** Herzlichen Glückwunsch zu Ihrem Kauf! Bitte vollständig lesen und befolgen Sie alle Anweisungen.
- ES** Felicidades con su compra! Por favor lea y siga todas las instrucciones.
- IT** Congratulazioni con il Vs. acquisto! Vi preghiamo di leggere bene le istruzioni e di seguirne scrupolosamente le indicazioni.

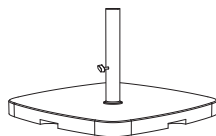
UMBROSA.COM

# BEFORE YOU START

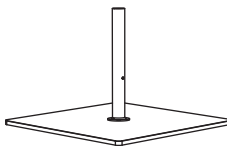


# INDEX

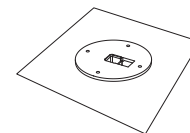
## BASE AND ANCHOR OPTIONS



p4



p6



p9

---

## INFINA



INSTALLATION

p13



USER INSTRUCTIONS

p16



TIPS AND MAINTENANCE

p18

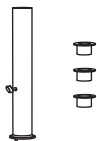
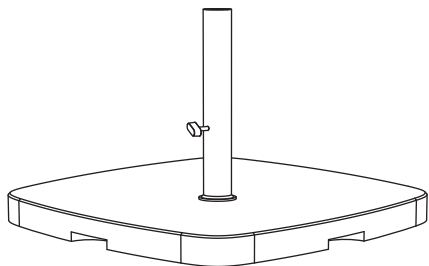


WARRANTY AND  
SPARE PARTS

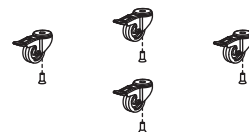
p20

# GRANITE BASE 50 / 80 INSTALLATION

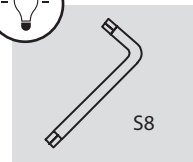
UMBASG0500000000 / UMBASG0800000000



## OPTIONS



UMBASEWHEELH00

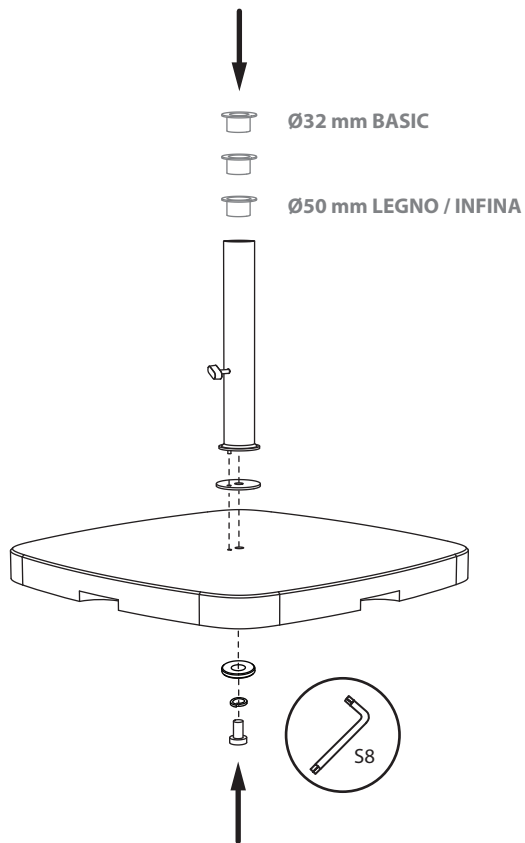


UMBROSA / 4

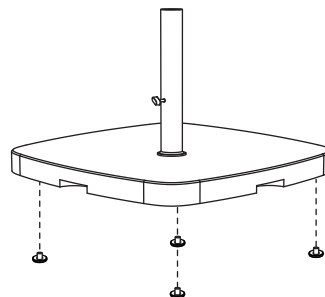
# GRANITE BASE 50 / 80 INSTALLATION



1

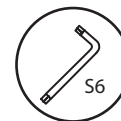
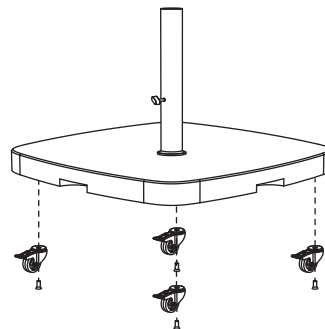
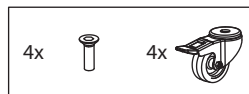


2



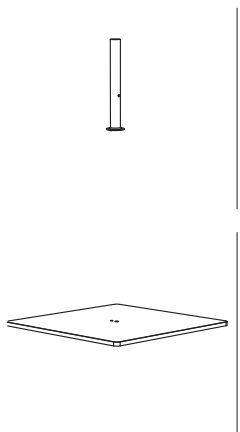
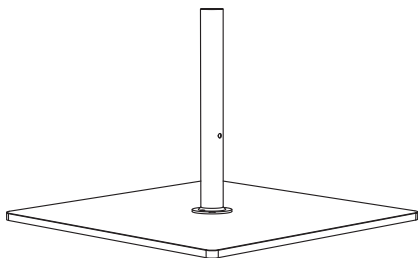
OR OPTION : UMBASEWHEELH00

2'

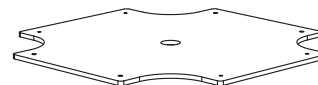


# INFINA BASE INSTALLATION

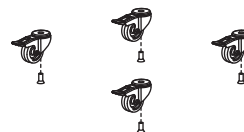
FIBASE0002015000



## OPTIONS



**FIBASEEXTRA00000**



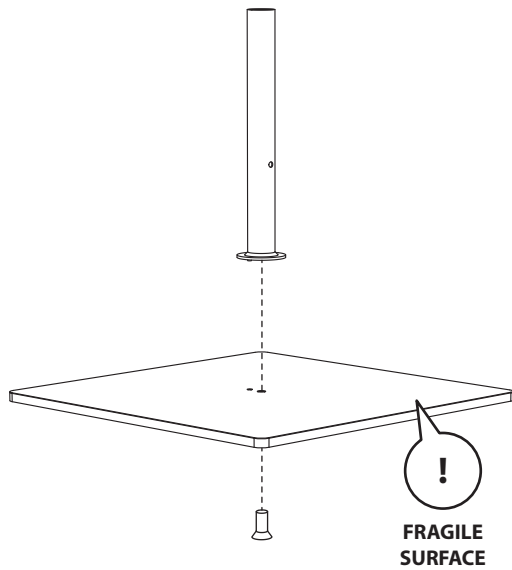
**UMBASEWHEELH00**



**UMBROSA / 6**

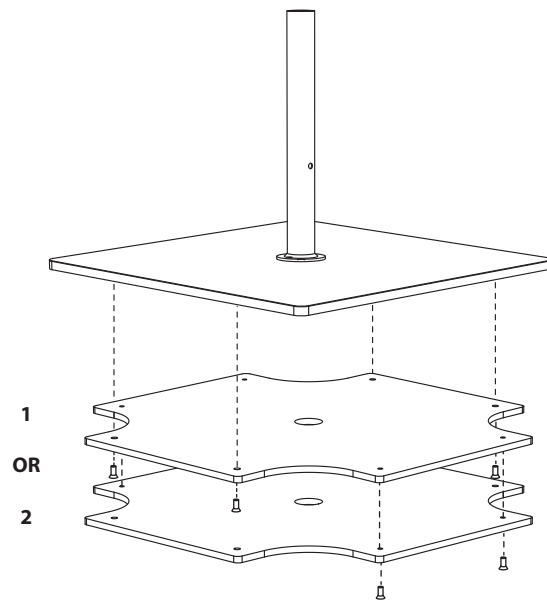
## INFINA BASE INSTALLATION

1



OPTION : FIBASEEXTRA00000

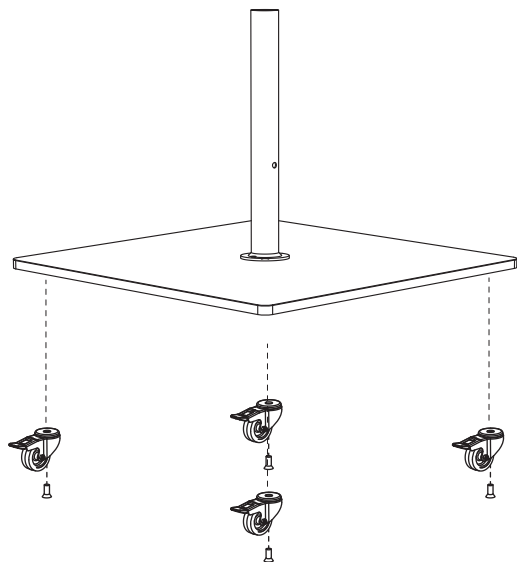
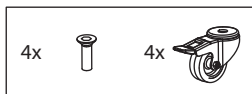
2



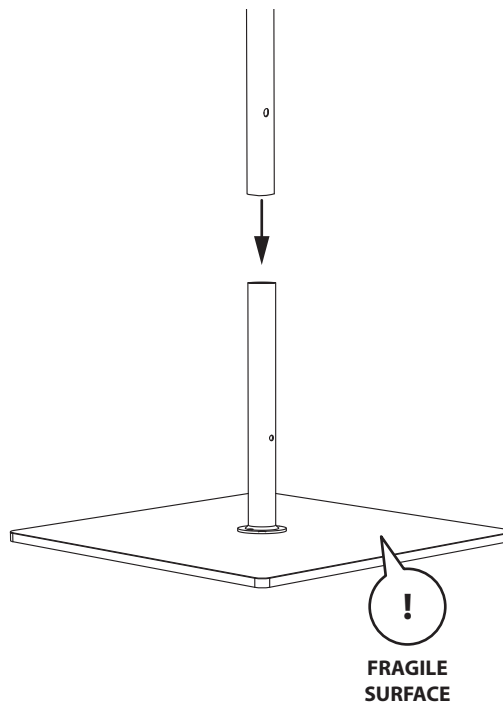
## INFINA BASE INSTALLATION

OPTION : UMBASEWHEELH00

3

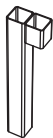
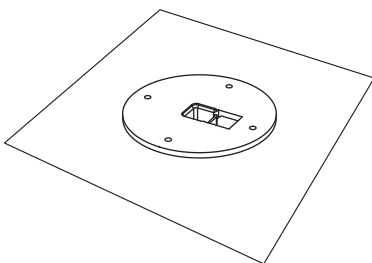


4

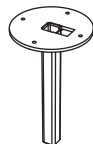


# CONCRETE ANCHOR INSTALLATION

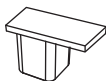
UMFIXCROTG000000



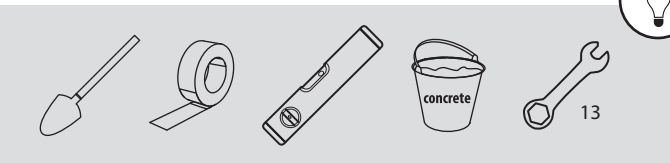
HITUBG0000



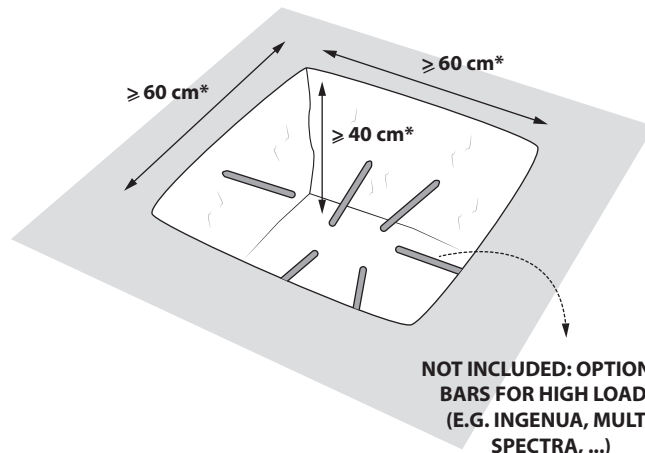
MAFIXCROTG000000



MAPLAI0060



1



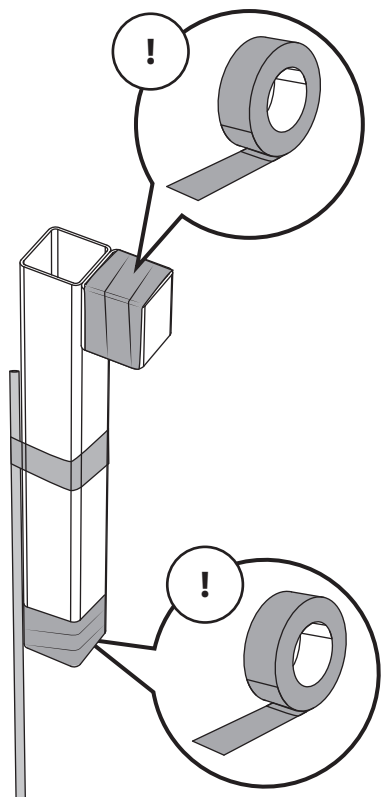
**NOT INCLUDED: OPTIONAL BARS FOR HIGH LOADS (E.G. INGENUA, MULTI SPECTRA, ...)**

- ENG** Dimensions are indicative. Final responsibility always lies with the installer.
- NL** Maten zijn informatief. Eindverantwoordelijkheid ligt bij installateur.
- FR** Les dimensions indiquées sont seulement à titre informatif. La responsabilité finale incombe à l'installateur.
- DE** Die Maße sind nur informativ. Der Installateur trägt die Verantwortung für die Ausführung.
- ES** Los tamaños son solamente informativos. El instalador es responsable del acabado final.
- IT** Dimensioni sono indicative. La responsabilità finale spetta sempre all'installatore.

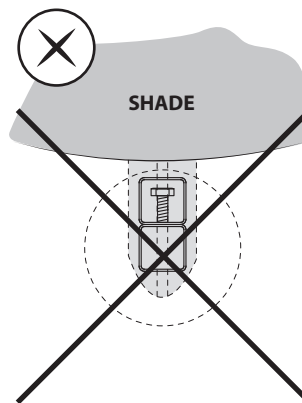
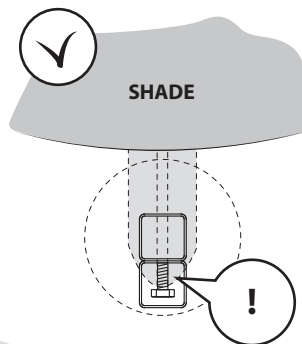
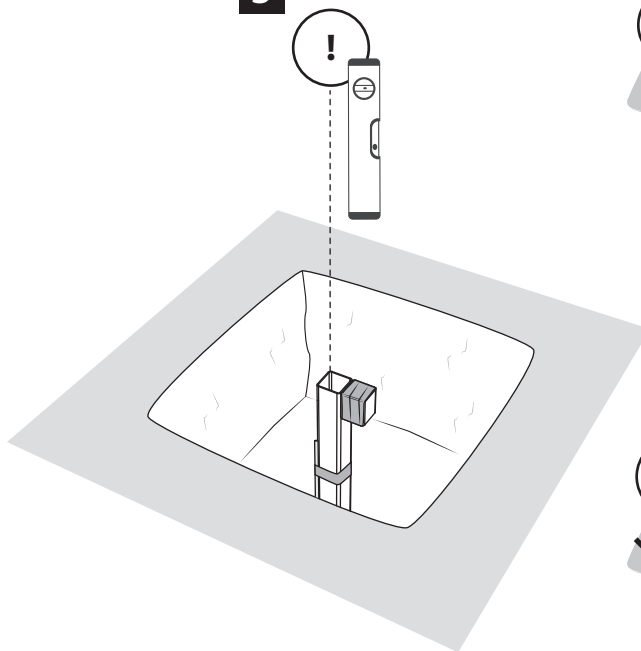
## CONCRETE ANCHOR INSTALLATION



2



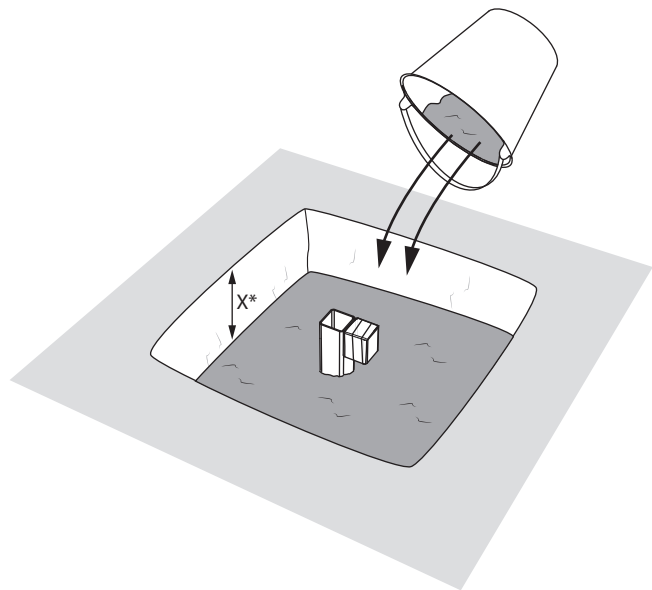
3



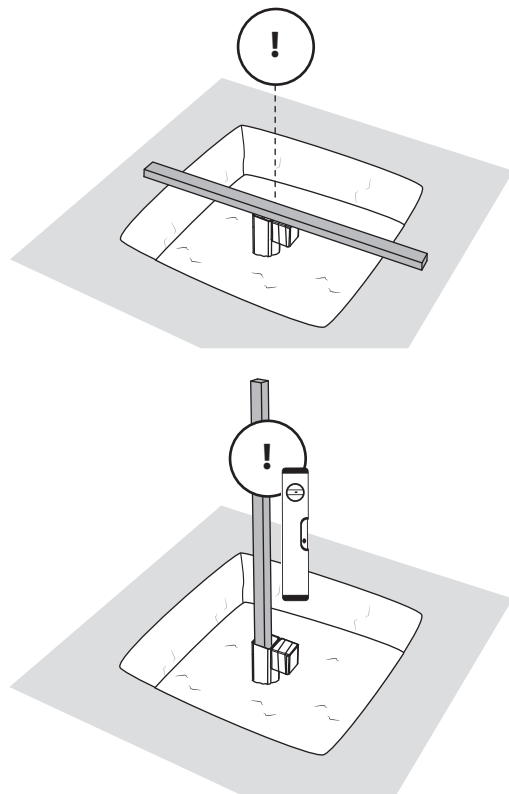
# CONCRETE ANCHOR INSTALLATION




4



5

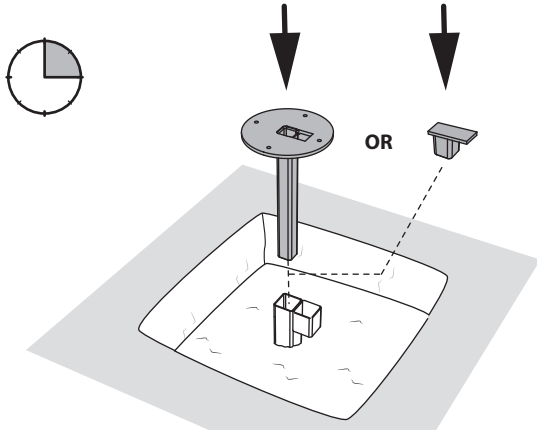


	 GRASS	 GRAVEL	 H# TILES
 X*	10 cm	4 cm	= H

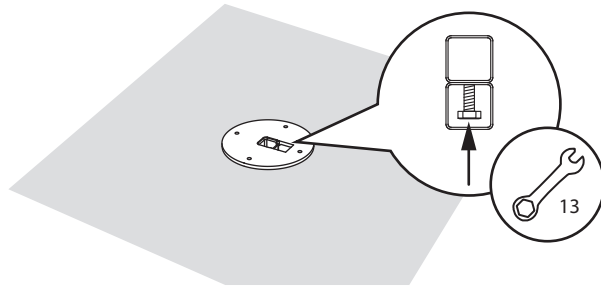
# CONCRETE ANCHOR INSTALLATION



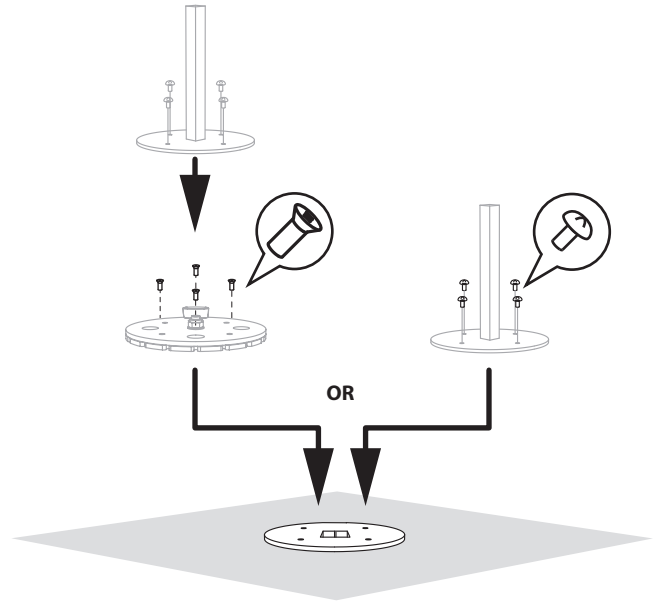
6



7



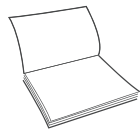
8



# INFINA INSTALLATION



**FICOV**



**UMSTRAP**



**FIFRA**



**FIPRO**

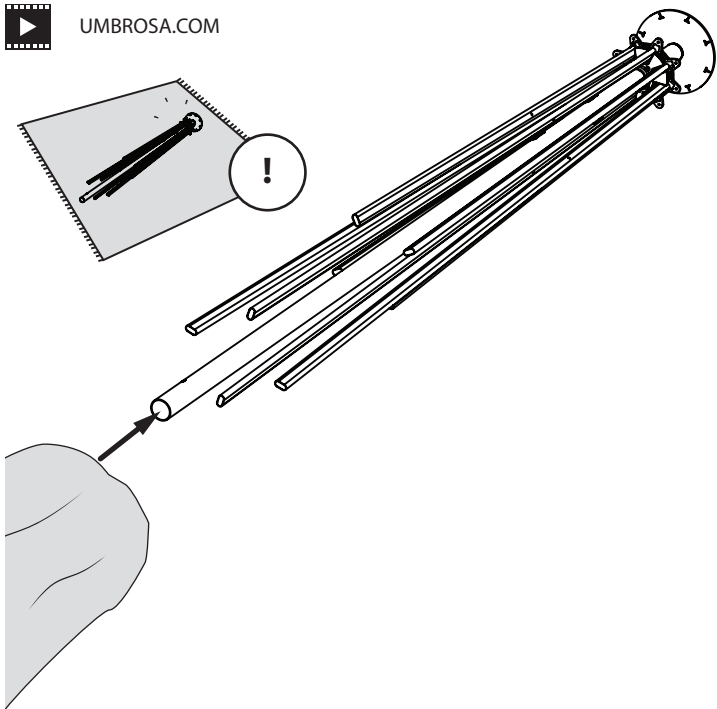
# INFINA INSTALLATION



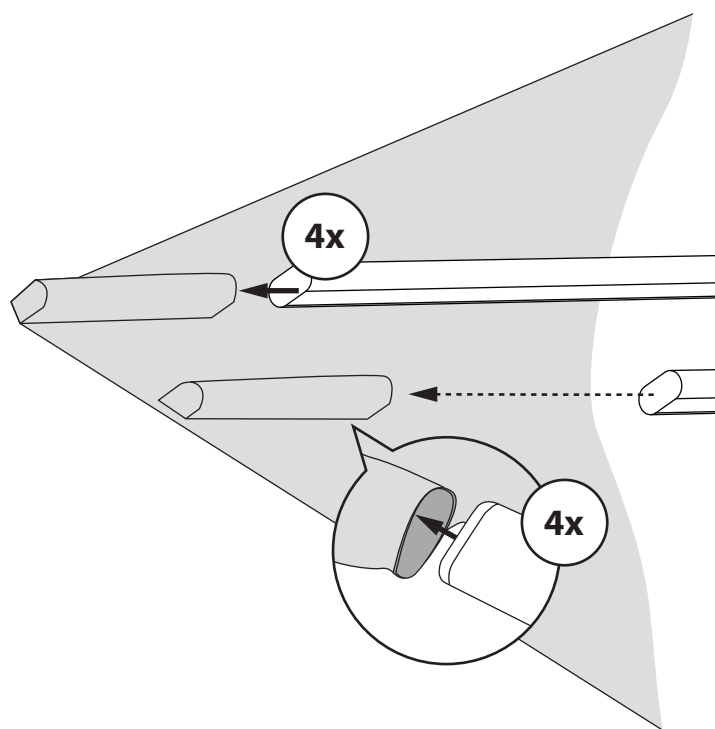
1



UMBROSA.COM

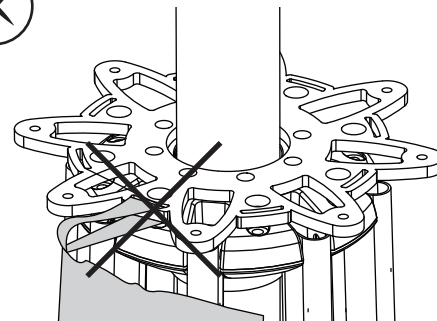
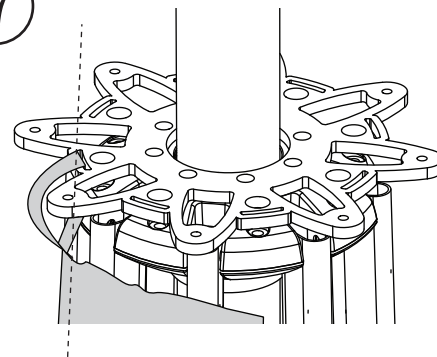
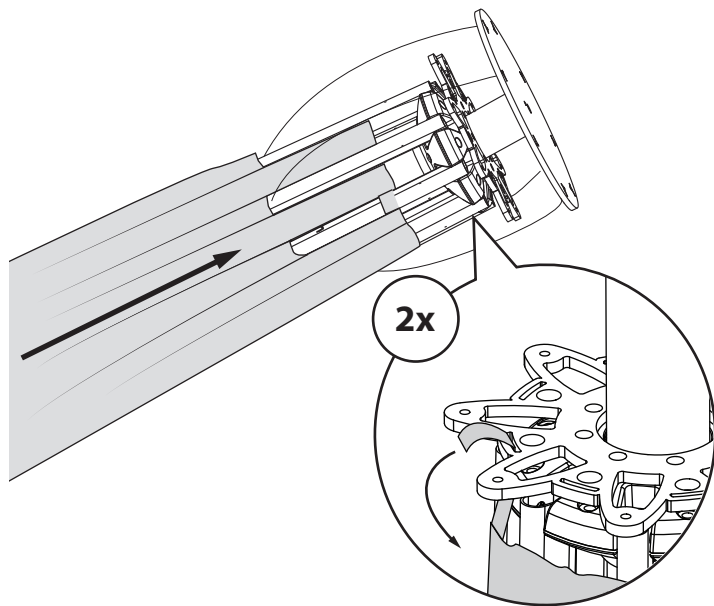


2





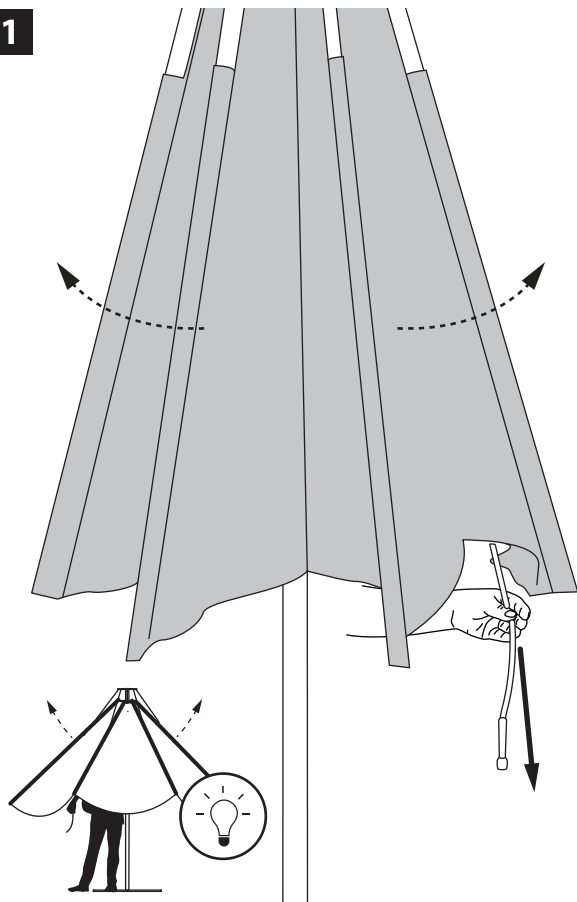
4



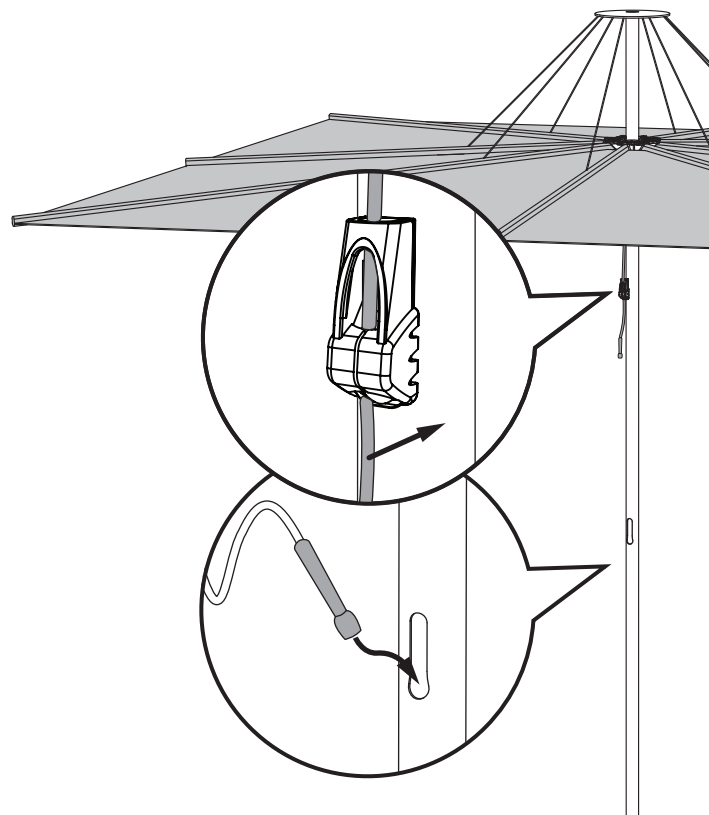
# INFINA USER INSTRUCTIONS



1

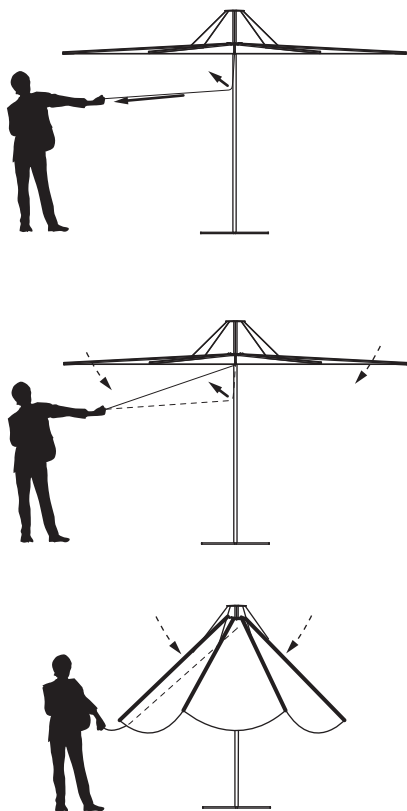


2

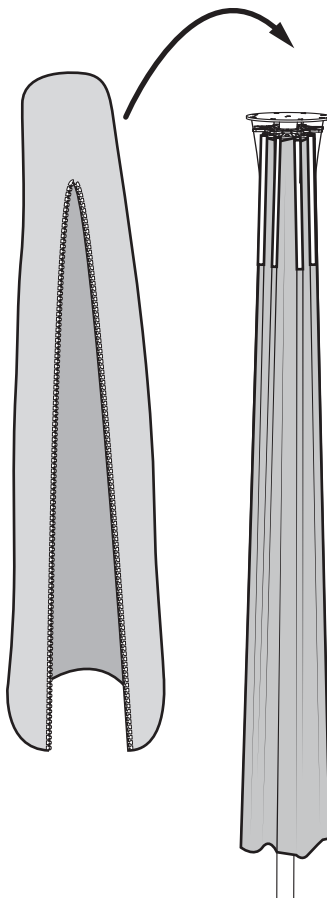




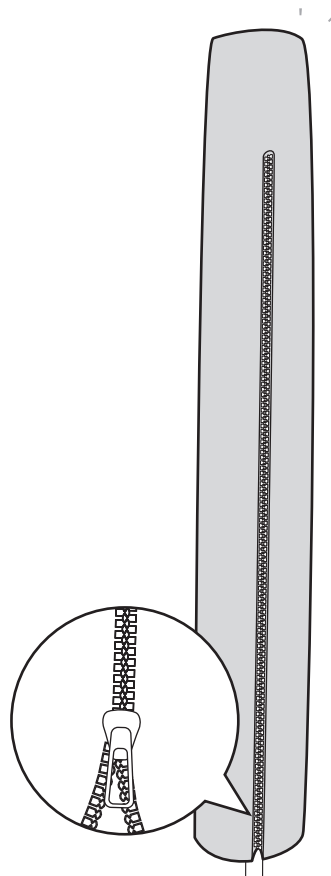
3



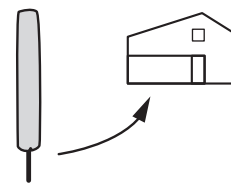
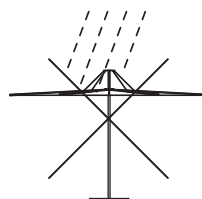
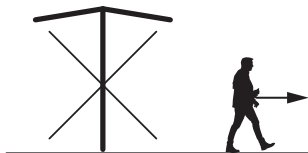
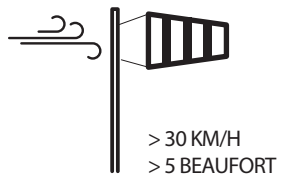
4



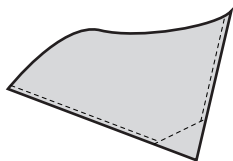
5



# TIPS



# MAINTENANCE



UMBROSA  
WATER REPELLENT SPRAY



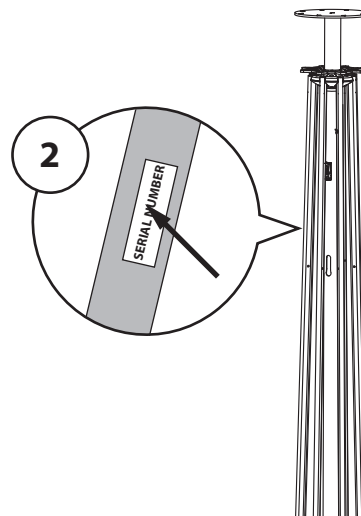
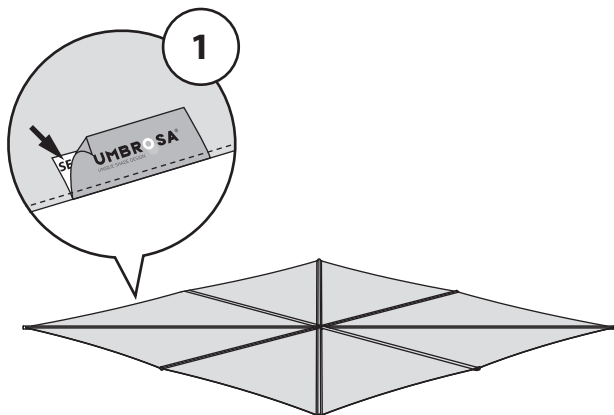
UMBROSA  
MAINTENANCE KIT

# WARRANTY

KEEP THIS AVAILABLE

1 PROOF OF PURCHASE / AANKOOP BEWIJS / PREUVE D'ACHAT /  
KAUFBELEG / JUSTIFICANTE DE COMPRA / PROVA D'ACQUISTO

2 SERIAL NUMBER / SERIENUMMER / NUMÉRO DE SÉRIE /  
SERIENUMMER / NÚMERO DE SERIE / NUMERO DI SERIE

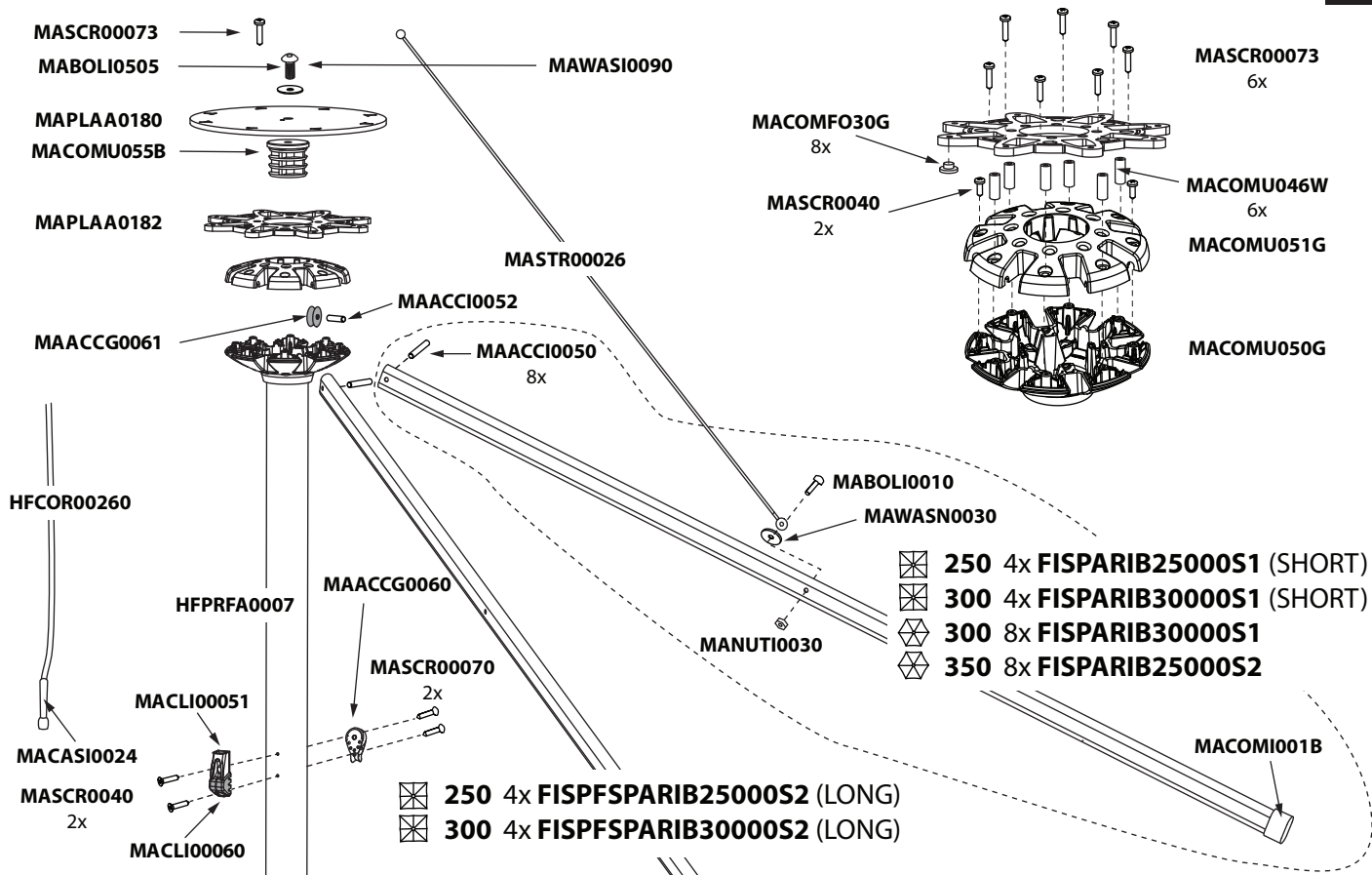


**WWW.UMBROSA.COM**

- |            |   |
|------------|---|
| <b>ENG</b> | Warranty conditions on website          |
| <b>NL</b>  | Garantievoorwaarden op webpagina        |
| <b>FR</b>  | Conditions de garantie sur le site Web  |
| <b>DE</b>  | Garantiebedingungen auf der Webseite    |
| <b>ES</b>  | Condiciones de garantía en el sitio web |
| <b>IT</b>  | Condizioni di garanzia sulla pagina web |

# SPARE PARTS

INFINA





**UMBROSA**

UNIQUE SHADE DESIGN

The content of this document, in particular the mentioned models, is protected by copyrights and/or design rights. The present document and its content is communicated to you for information purposes only. Any partial or total reproduction or any other use without our prior written permission is strictly prohibited. This technical sheet remains subject to possible changes. Of course we do our best to eliminate all mistakes, but Umbrosa is not responsible for the errors in the documentation of products. All measurements are approximate and are provided for informational purposes only.

Beversesteenweg 565 B, 8800 Roeselare, Belgium.  
T: +32 51 30.22.60 | F: +32 51 30.22.62 | E: [info@umbrosa.com](mailto:info@umbrosa.com) | [www.umbrosa.com](http://www.umbrosa.com)

Version 18-0319