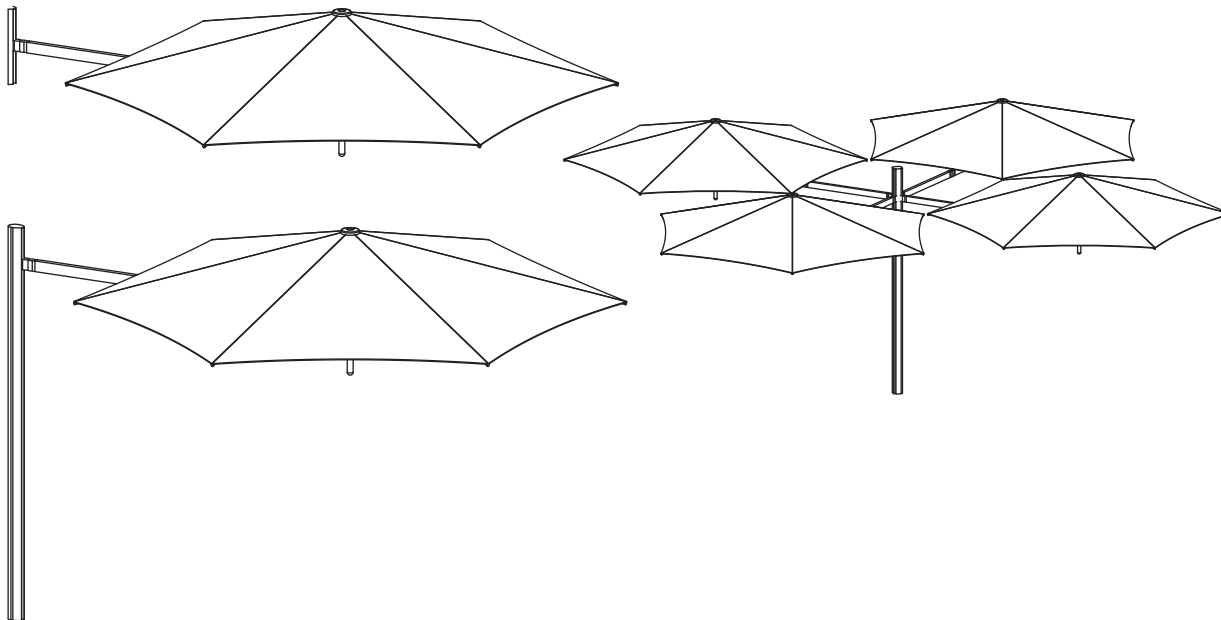


UMBROSA

UNIQUE SHADE DESIGN



PARAFLEX

NEO / MONO POLE / MULTI POLE



INSTALLATION MOVIES



PARAFLEX DEMO MOVIE

UMBROSA.COM

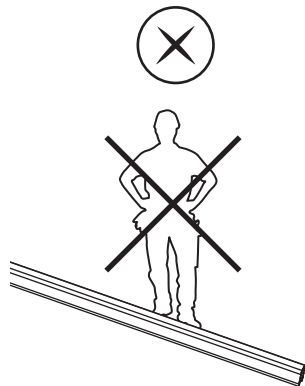
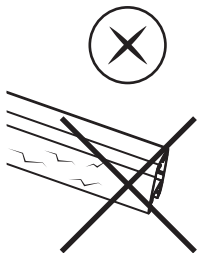
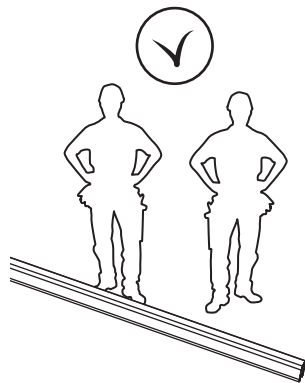
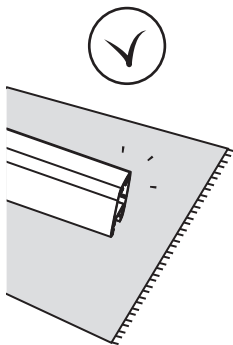
- ENG** Congratulations with your purchase! Please completely read and follow all the instructions.
- NL** Proficiat met uw aankoop! Gelieve alle instructies te lezen en op te volgen.
- FR** Félicitations avec votre achat. Lisez svp les instructions complètes.
- DE** Herzlichen Glückwunsch zu Ihrem Kauf! Bitte vollständig lesen und befolgen Sie alle Anweisungen.
- ES** Felicidades con su compra! Por favor lea y siga todas las instrucciones.
- IT** Congratulazioni con il Vs. acquisto! Vi preghiamo di leggere bene le istruzioni e di seguirne scrupolosamente le indicazioni.

IMPORTANT:

Please read this entire manual before installing or operating your umbrella, to reduce risk of personal injury in which a person is injured or harmed, and/or damage to personal property. Prior to assembly it is important to decide on the location of the umbrella and to respect the following instructions:

- Choose a location that is level and sturdy.
- Avoid any sloping of soft ground.
- Consider a location that will maximize the umbrella's 360° rotating function (if available)
- Two-person team is recommended for assembly

BEFORE YOU START



SAFETY STATEMENTS & WARNINGS



- Product is suitable for light wind and/or light rain only.
- Position product in direction of wind as recommended in user manual.
- Do not use product in inclement weather, such as strong wind, thunderstorms, heavy rain or snow, and make sure that the umbrella is closed and stored in advance.
- Never allow the umbrella to flap in the wind. This could cause personal injury, damage to personal property, damage to umbrella and/or umbrella canopy.
- Close product and secure strap when not in use.
- Do not use product without its base or unless attached to building structure, and keep umbrella secured to umbrella base or mount at all times.
- Do not use product over or near harsh chemicals or open flames.
- Place product on stable and level surface.
- Do not allow children to assemble or operate product.
- Do not leave product unattended.
- Store product indoors during winter and extreme weather conditions.
- When adjusting or assembling the umbrella or umbrella base, make sure fingers, toes or any other parts of the body are clear from moving parts. Failing to do so may result in serious injury.
- Only use Umbrosa replacement parts.
- Read owner's manual.
- Any modifications to the product or failure to follow recommended care will void the warranty.
- Wind damage is not covered under our limited warranty.

DISCLAIMER:

All mounting kits and supports for inground fitting and installation on hard surfaces should only be installed by a licensed contractor duly qualified to perform the installation. Umbrosa assumes no liabilities and expressly disclaims any responsibilities for injuries or damages arising from or related to the failure of buyer to have any kit or fitting installed by a licensed professional contractor.

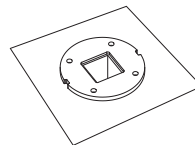
INDEX

BASE AND MOUNTING OPTIONS



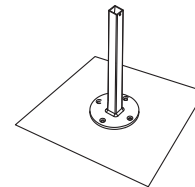
LARGE TILE BASE

p7



CONCRETE ANCHOR

p14



GROUND MOUNTING

p19

PARAFLEX OPTIONS



PARAFLEX WALL MOUNT p21

PARAFLEX NEO HOLDER p24

PARAFLEX SINGLE POLE p26

PARAFLEX MULTI POLE p28

PARAFLEX 4+1 p30

PARAFLEX CANOPY p32



USER INSTRUCTIONS

p34



TIPS AND MAINTENANCE

p40

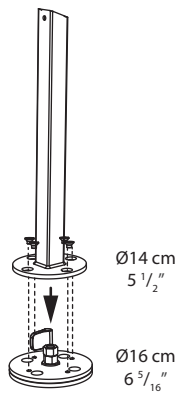
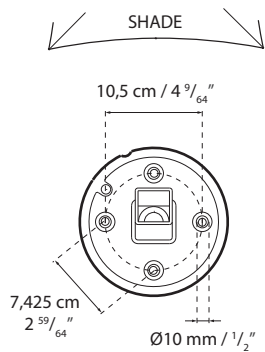


WARRANTY
AND SPARE PARTS

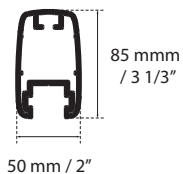
p43

INSTALLATION DIMENSIONS

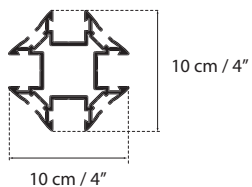
POLE - BASE PLATE



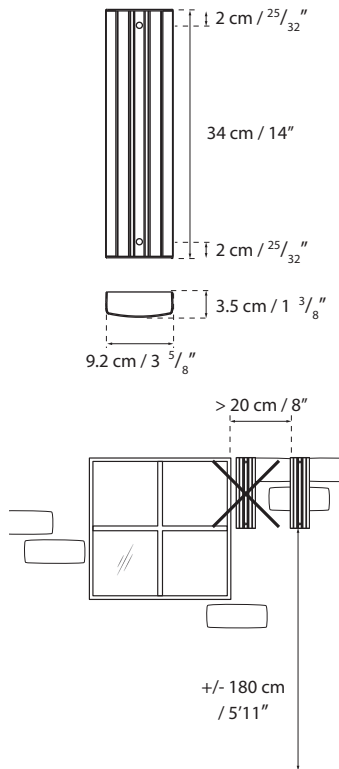
SINGLE POLE (220 cm / 86 1/2'')



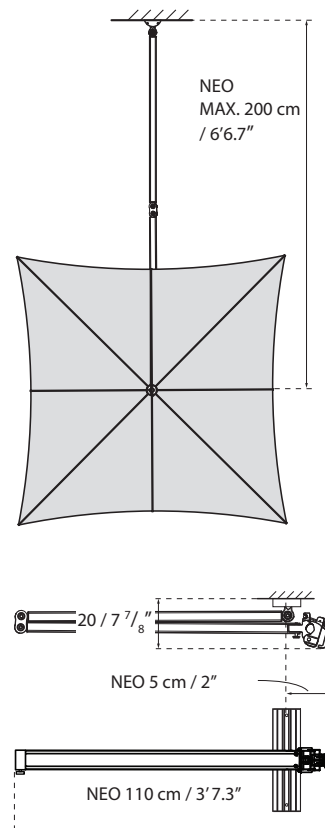
MULTI POLE (230 cm / 90 1/2'')



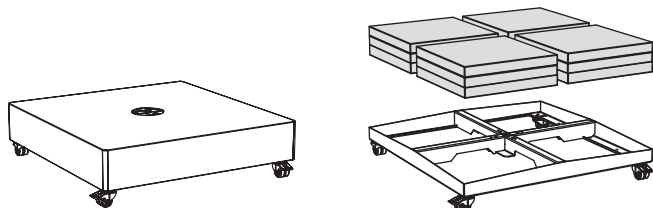
WALL



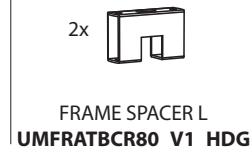
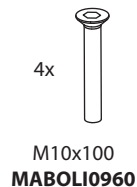
HOLDER



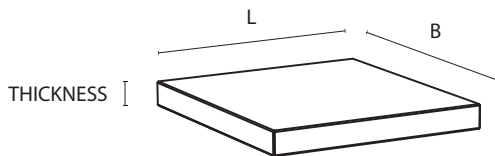
LARGE STANDARD TILE BASE INSTALLATION



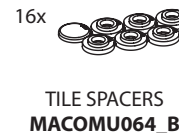
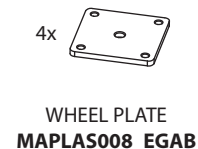
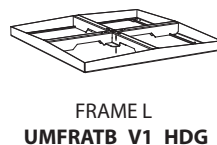
12 TILES
(MIN. WEIGHT 165 KG / 363 Lbs)



BASE TILE DIMENSIONS



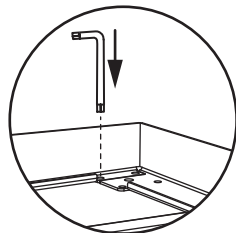
	MINIMUM	MAXIMUM
LxB	38 x 38 cm 15" x 15"	40 x 40 cm 16" x 16"
THICKNESS	38 mm 1 1/2"	45 mm 1 3/4"



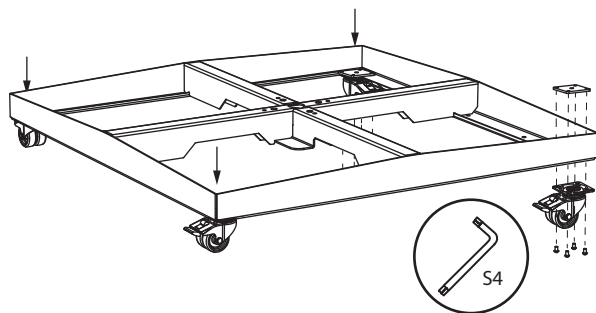
TILE BASE INSTALLATION



1

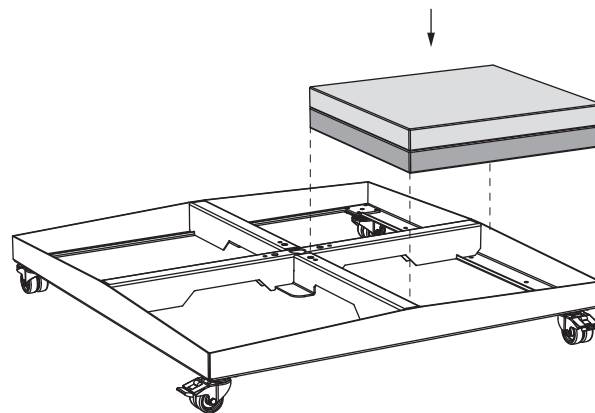


PUNCH OUT GALVANISATION LAYER
IN HOLES IF NECESSARY



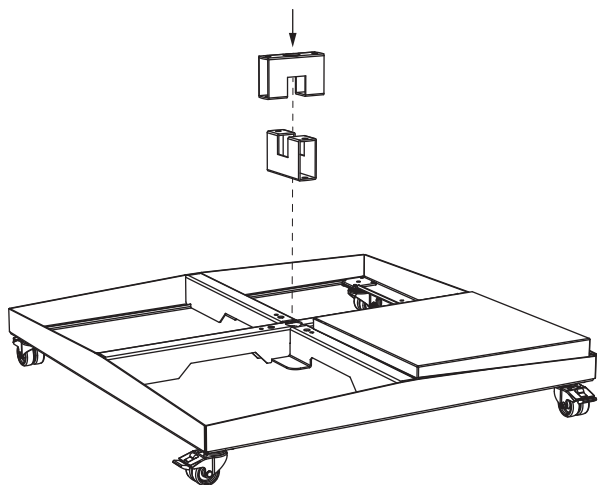
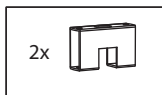
2

START WITH 2 LAYERS

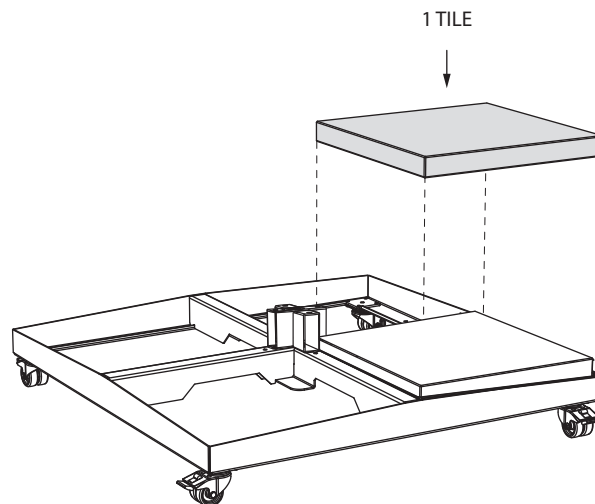


TILE BASE INSTALLATION

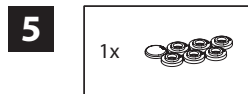
3



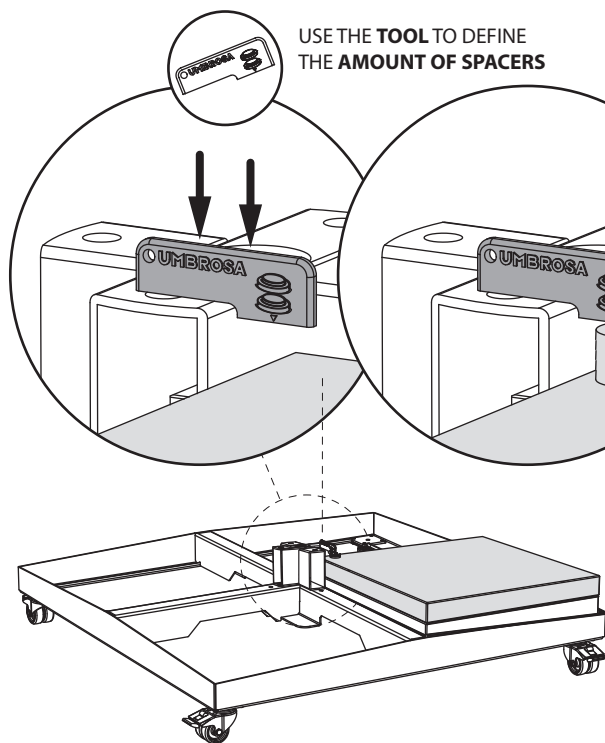
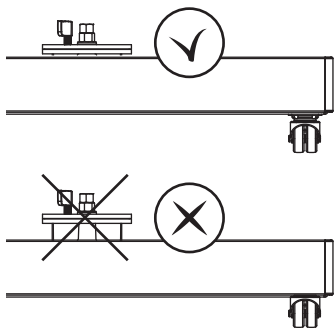
4



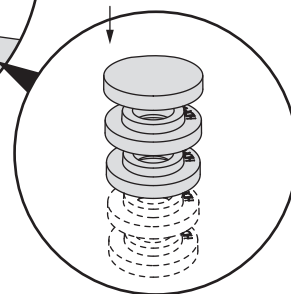
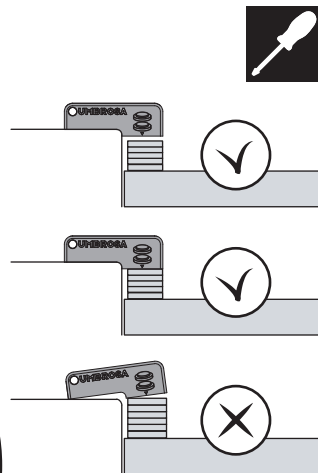
TILE BASE INSTALLATION



ADD **SPACERS** FOR PERFECT COVER ALIGNMENT:



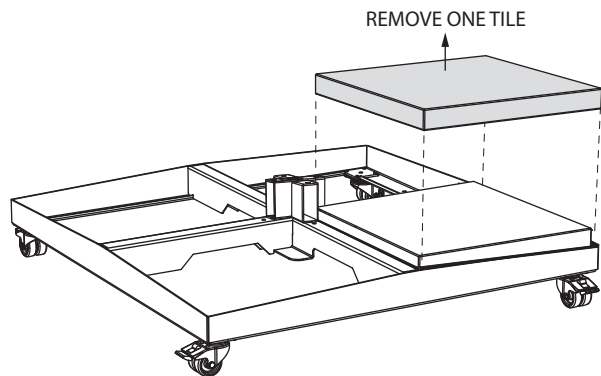
USE THE **TOOL** TO DEFINE THE **AMOUNT OF SPACERS**



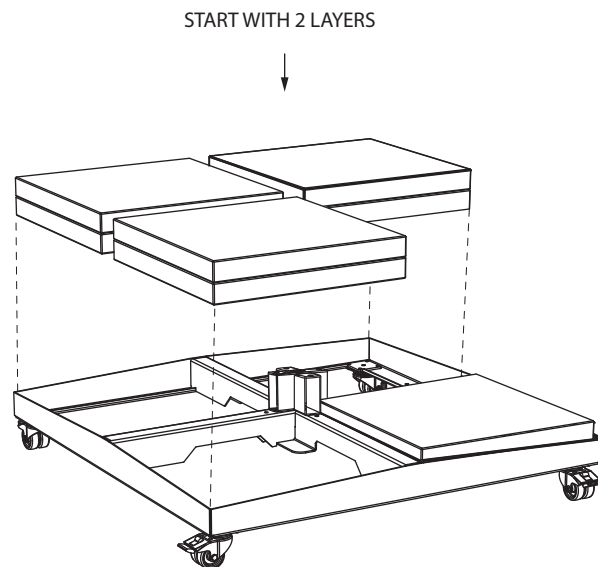
TILE BASE INSTALLATION



6



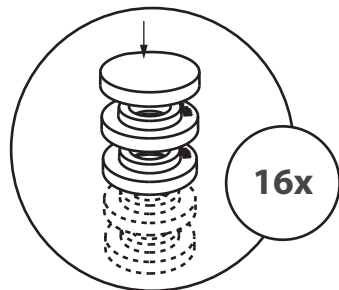
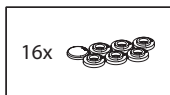
7



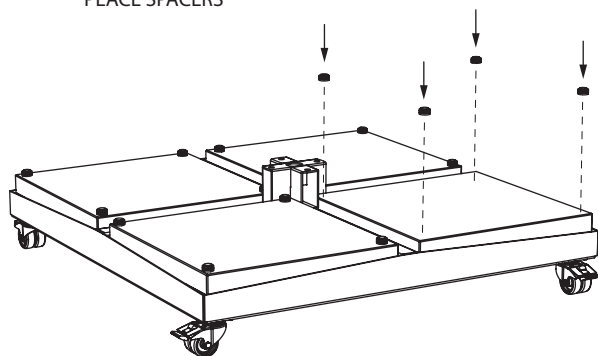
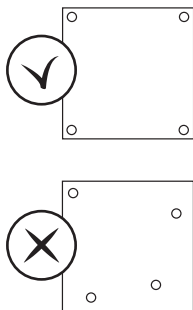
TILE BASE INSTALLATION



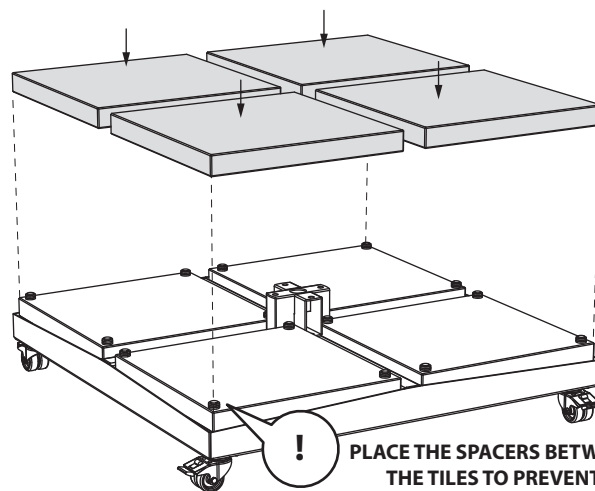
8



PLACE SPACERS



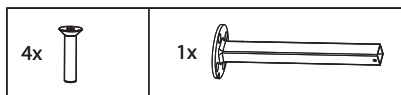
9



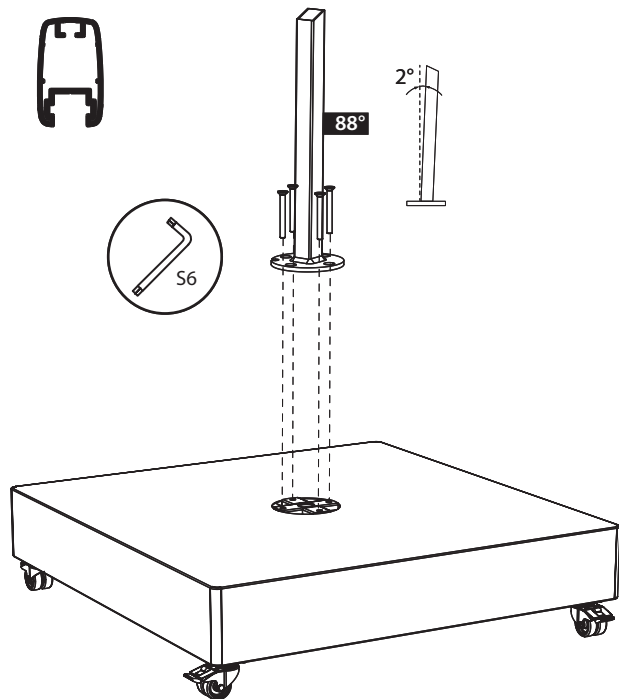
! PLACE THE SPACERS BETWEEN THE TILES TO PREVENT DEFORMATION OF THE COVER.

TILE BASE INSTALLATION

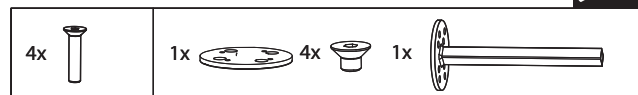
10



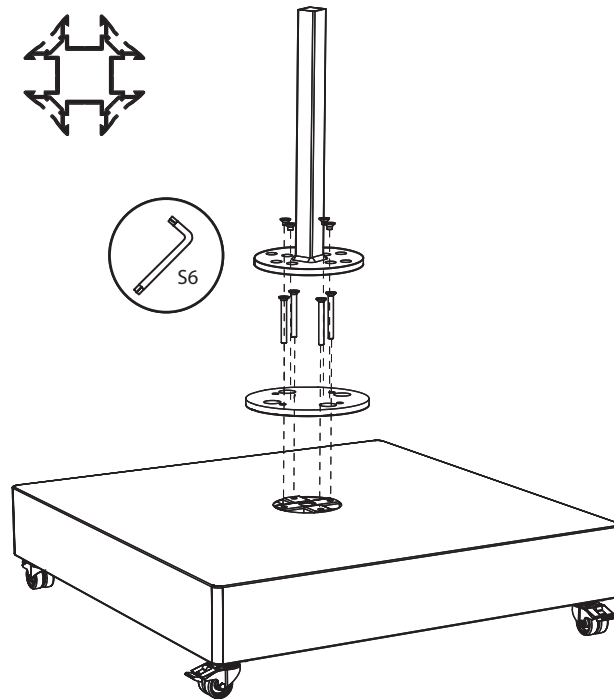
SINGLE POLE



OR



MULTI POLE

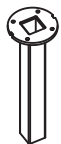
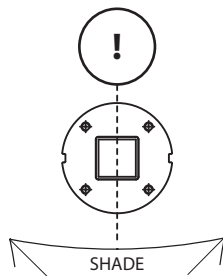
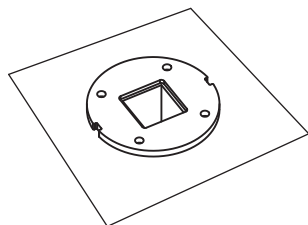


CONCRETE ANCHOR INSTALLATION

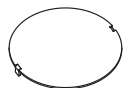
INGROUNDANCHORTYPE1



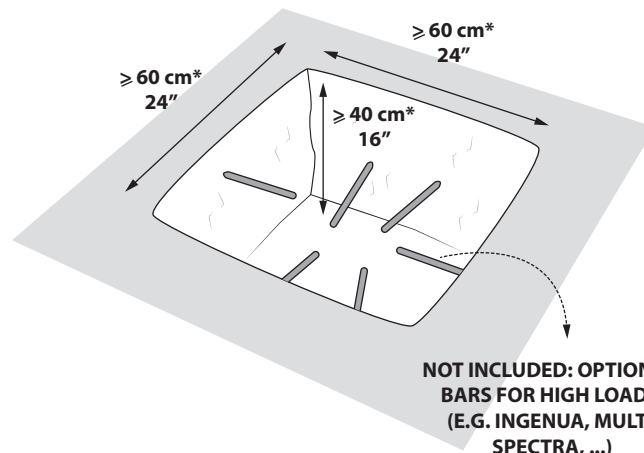
1



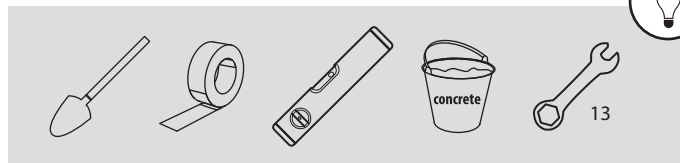
**MAFIXS009S5090
_HDGV**



MAPLAICROT CAP20



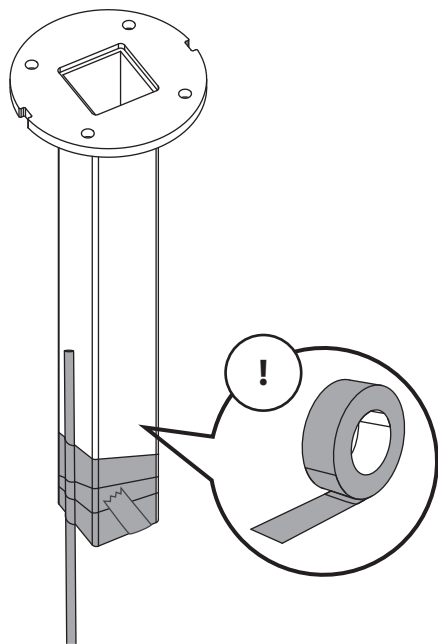
- ENG** Dimensions are indicative. Final responsibility always lies with the installer.
NL Maten zijn informatief. Eindverantwoordelijkheid ligt bij installateur.
FR Les dimensions indiquées sont seulement à titre informatif. La responsabilité finale incombe à l'installateur.
DE Die Maße sind nur informativ. Der Installateur trägt die Verantwortung für die Ausführung.
ES Los tamaños son solamente informativos. El instalador es responsable del acabado final.
IT Dimensioni sono indicative. La responsabilità finale spetta sempre all'installatore.



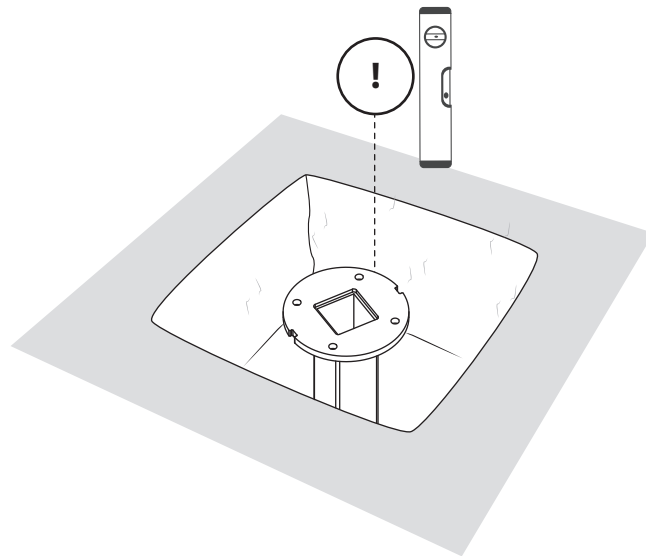
CONCRETE ANCHOR INSTALLATION



2



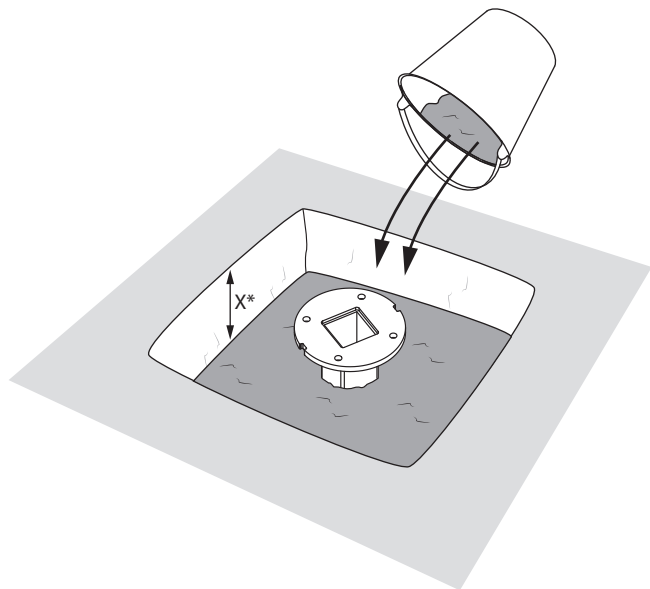
3



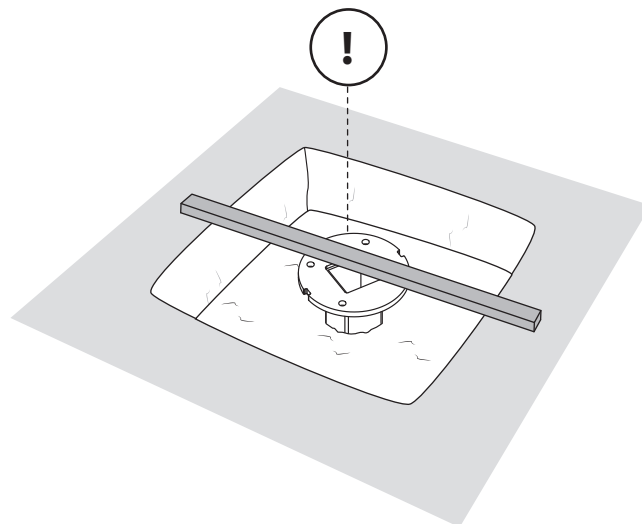
CONCRETE ANCHOR INSTALLATION







4



5

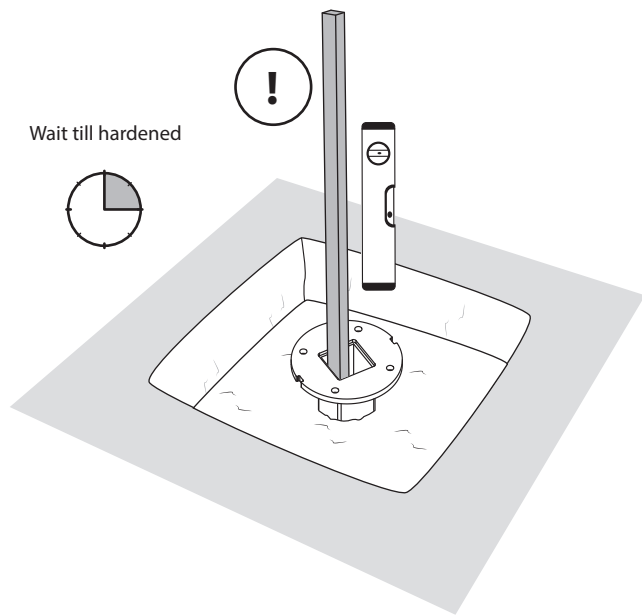


	 GRASS	 GRAVEL	 H TILES
 X*	10 cm / 4"	4 cm / 1 1/2"	= H

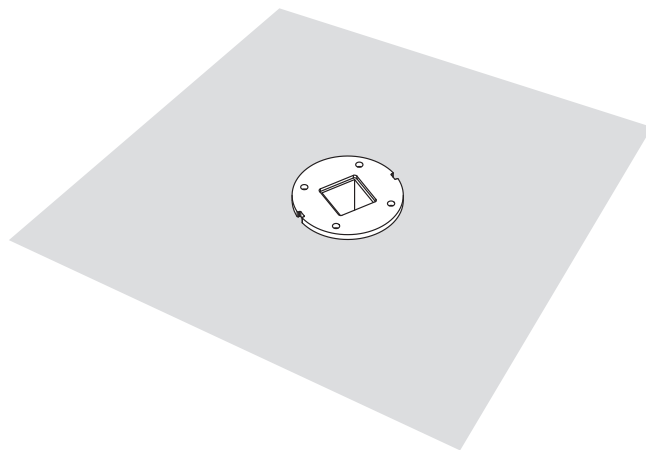
CONCRETE ANCHOR INSTALLATION



6

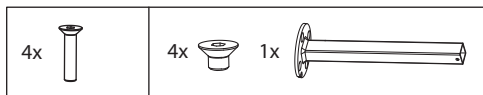


7

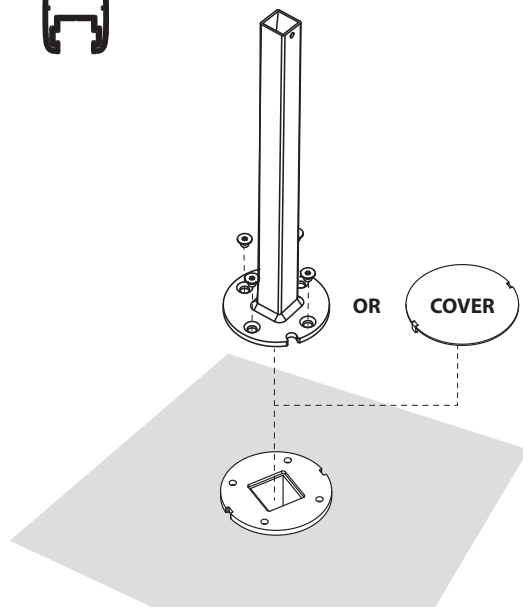


CONCRETE ANCHOR INSTALLATION

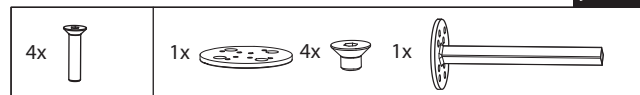
8



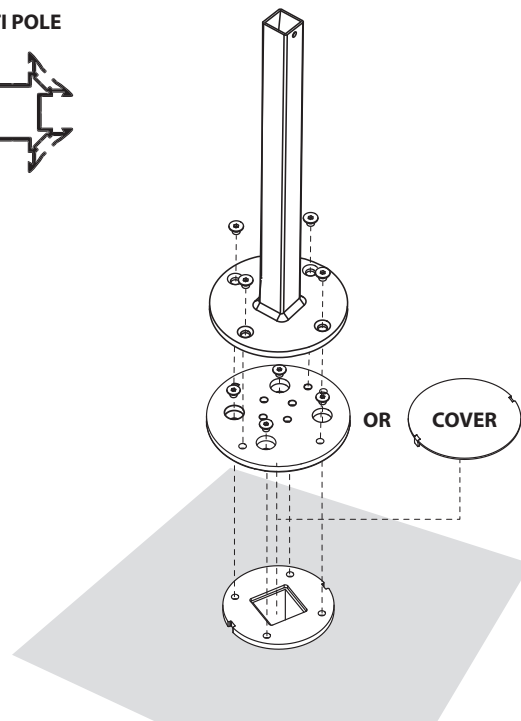
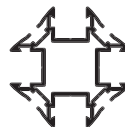
SINGLE POLE



OR



MULTI POLE

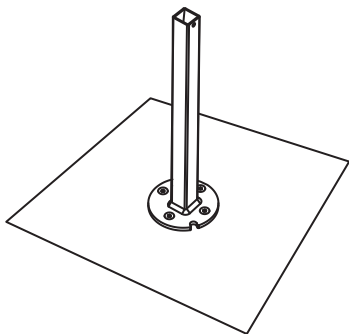


GROUND MOUNTING

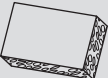


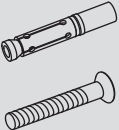
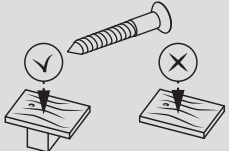
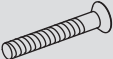
SINGLE POLE

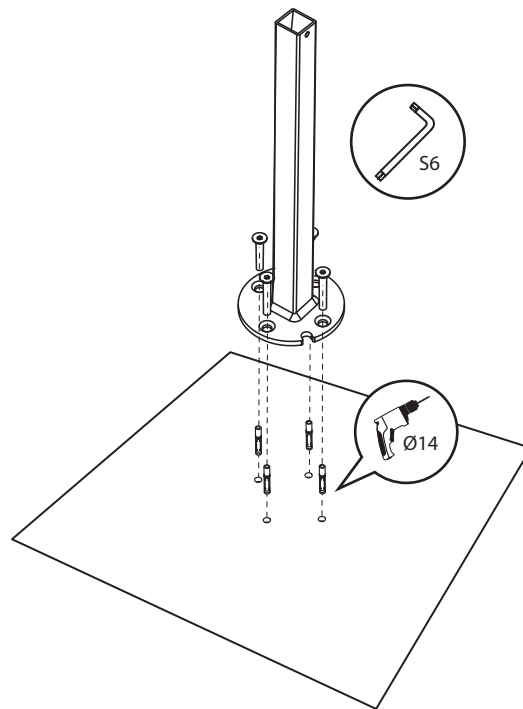


SINGLE POLE



Not included - Niet inbegrepen - Pas inclus
 Nicht inbegriffen - No incluido - Non incluso

 <p>CONCRETE</p>	 <p>WOOD</p>	 <p>METAL</p>
		
<p>example: DIN 7991 M10</p>	<p>example: DIN 7997 Ø8 mm</p>	<p>example: DIN 7991 M10</p>



GROUND MOUNTING

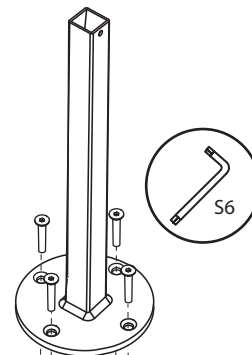
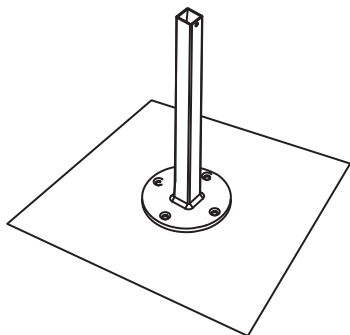
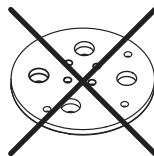
MULTI POLE



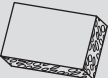


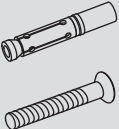
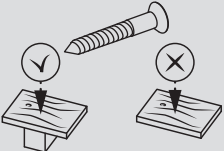
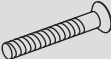
MULTI POLE

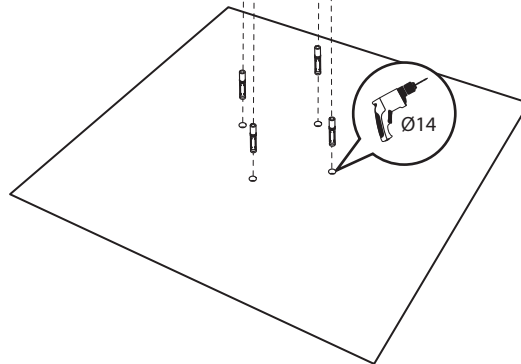


NO PLATE NEEDED

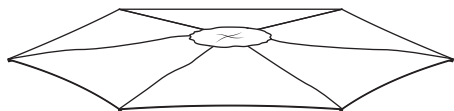
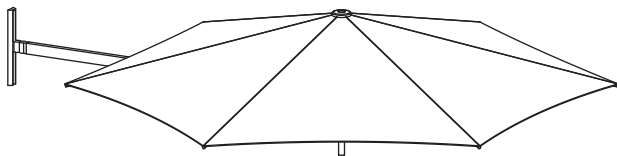


Not included - Niet inbegrepen - Pas inclus
 Nicht inbegriffen - No incluido - Non incluso

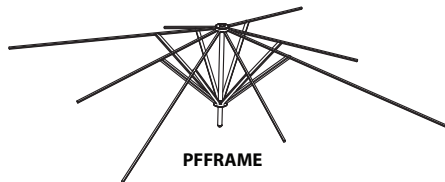
 <p>CONCRETE</p>	 <p>WOOD</p>	 <p>METAL</p>
		
<p>example: DIN 7991 M10</p>	<p>example: DIN 7997 Ø8 mm</p>	<p>example: DIN 7991 M10</p>



PARAFLEX WALL MOUNT



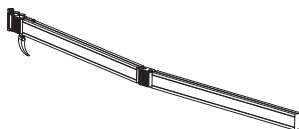
PFCOVER



PFFRAME



PFPROTECTION
(OPTIONAL)



PFARM-NEO

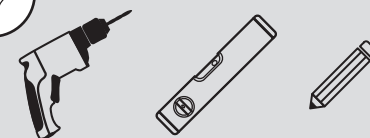


S5

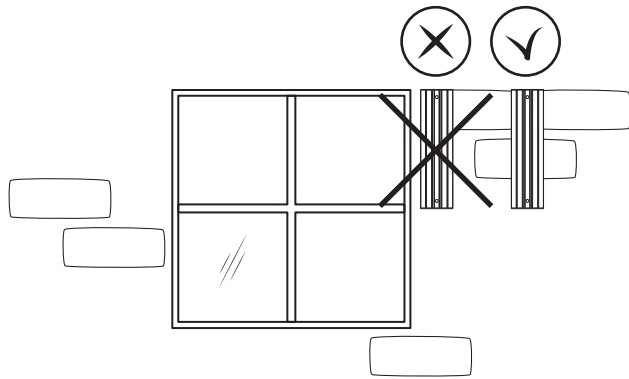
MAKEY00060



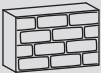

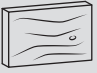

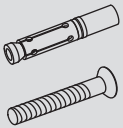
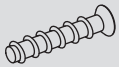
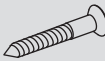
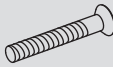
VPFWALV30003400_*



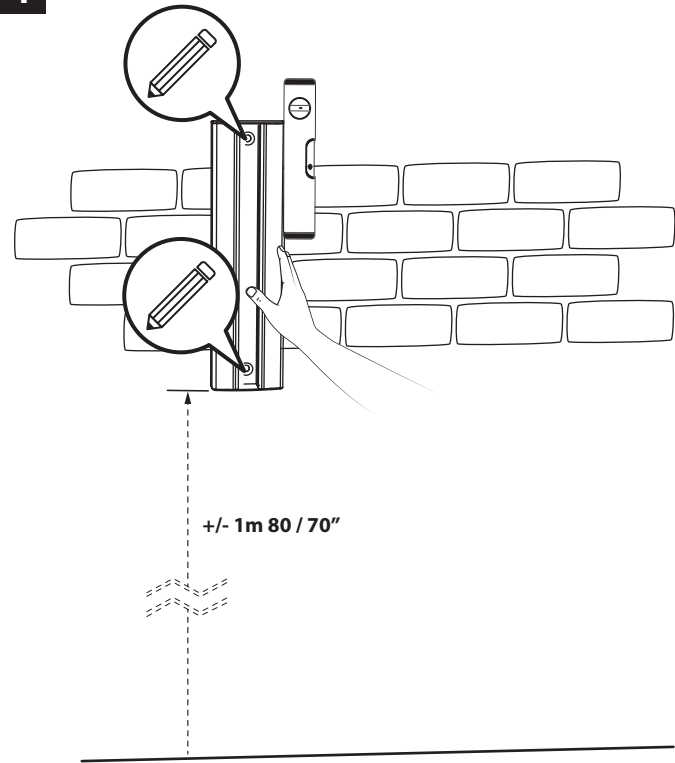
PARAFLEX WALL MOUNT



Not included - Niet inbegrepen - Pas inclus
 Nicht inbegriffen - No incluido - Non incluso

 BRICK	 CONCRETE	 WOOD	 STEEL
			
example: DIN 7991 M8	example: Ø8 mm	example: DIN 7997 Ø8 mm	example: DIN 7991 M8

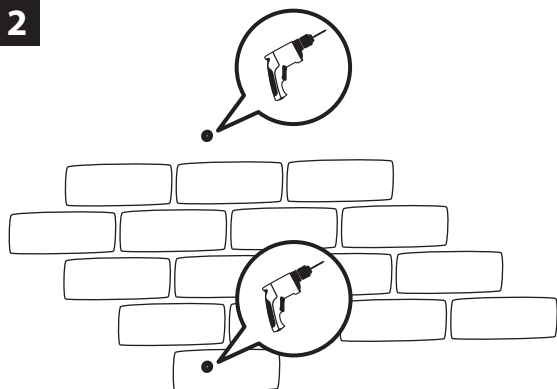
1



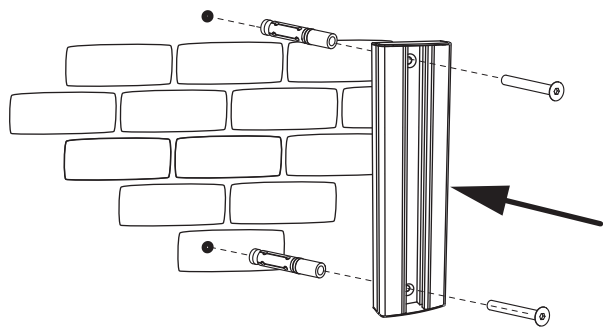
PARAFLEX WALL MOUNT



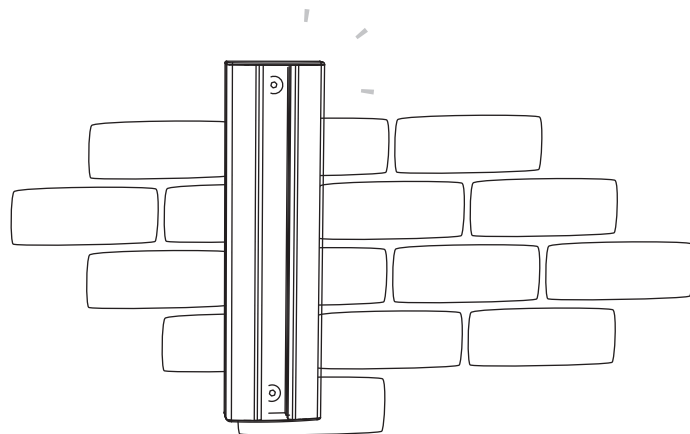
2



3



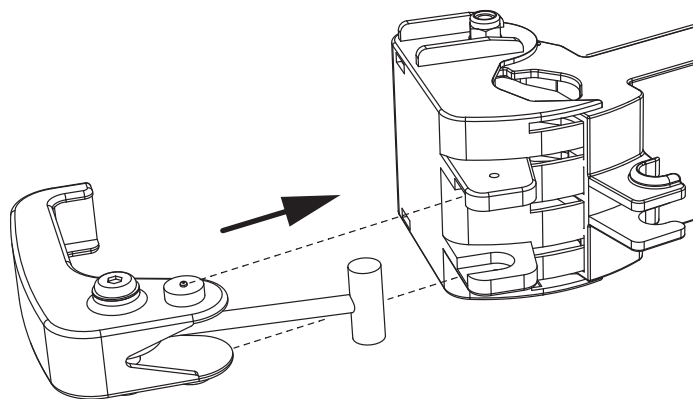
4



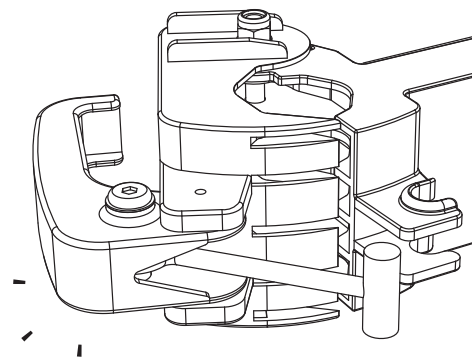
PARAFLEX HOLDER INSTALLATION



1



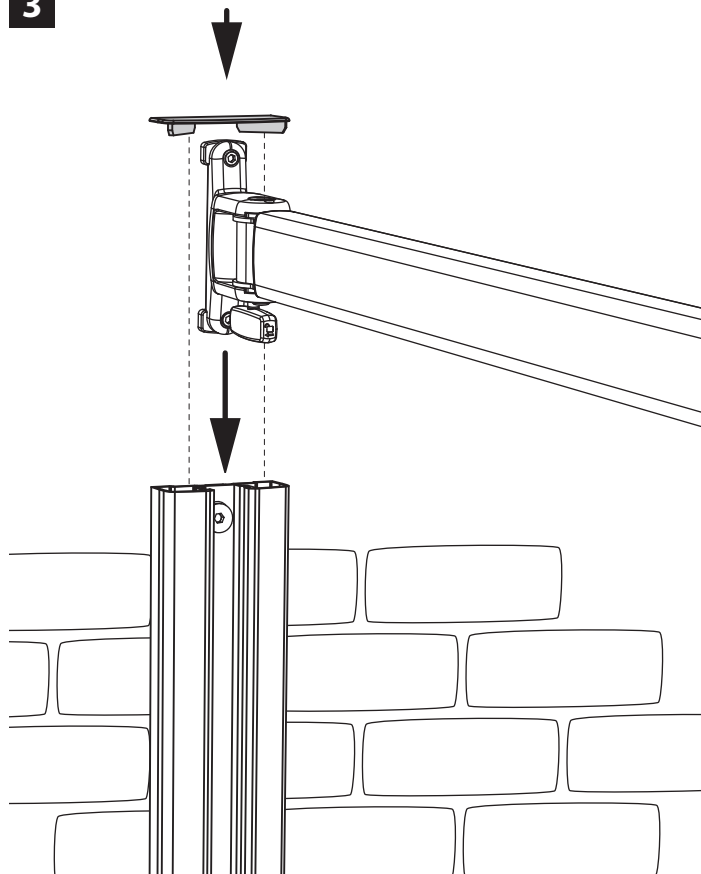
2



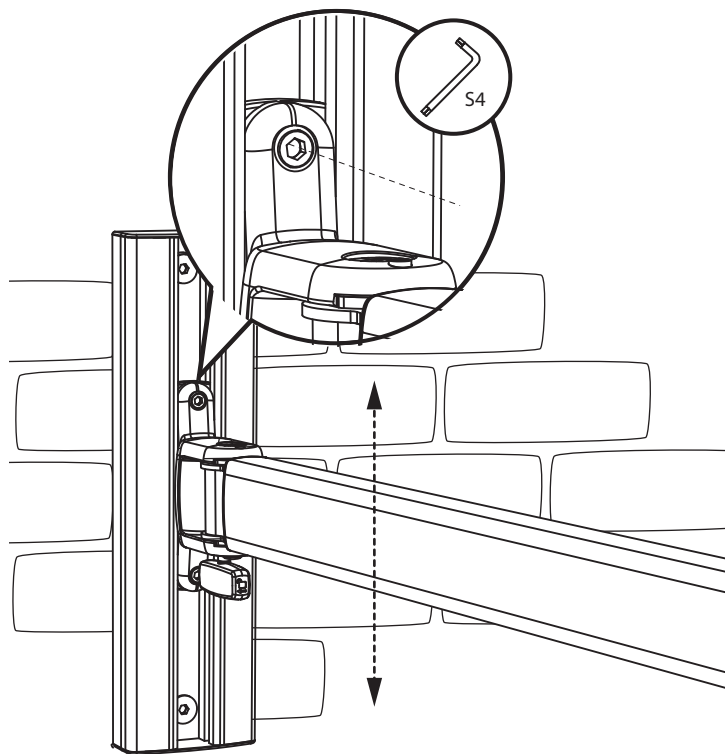
PARAFLEX HOLDER INSTALLATION



3



4

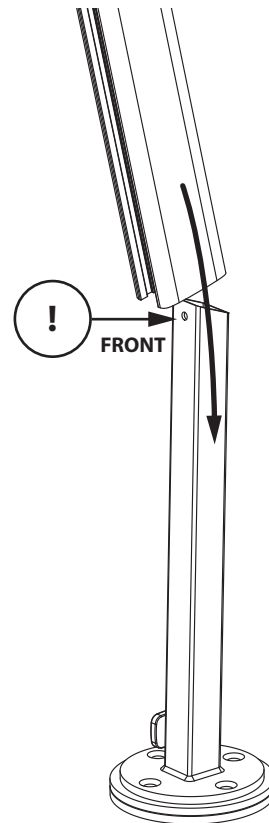
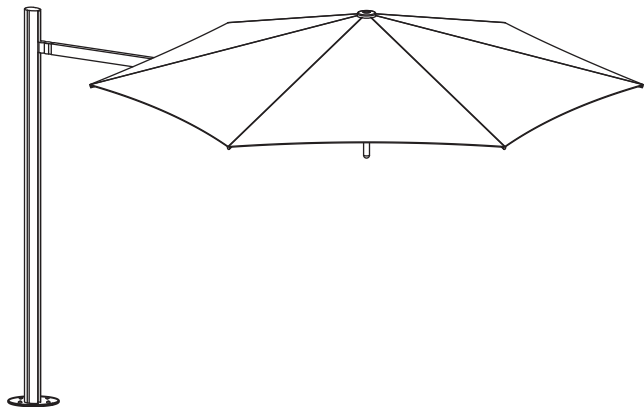


PARAFLEX SINGLE POLE INSTALLATION

PFMONOPOLN + SUPP90



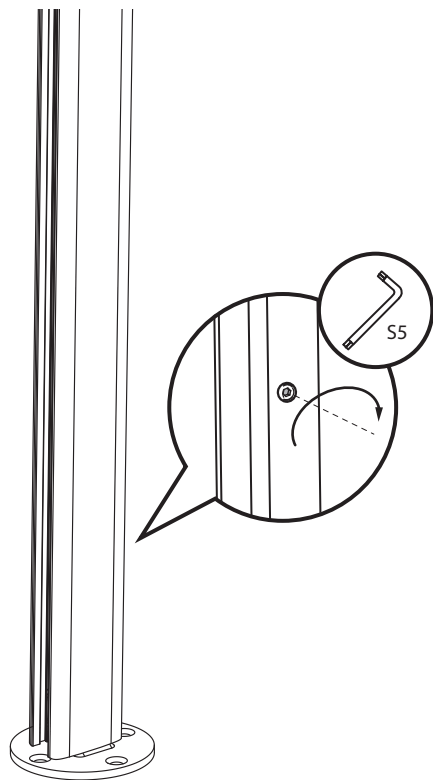
1



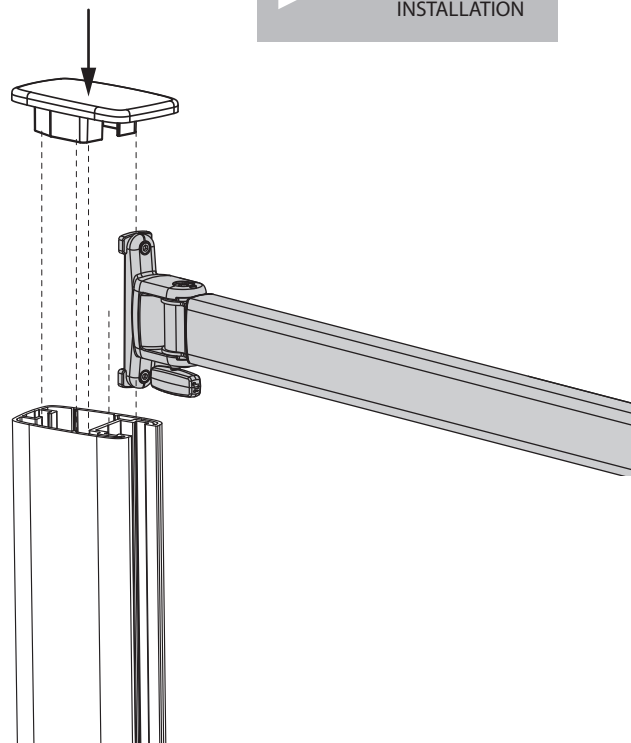
PARAFLEX SINGLE POLE INSTALLATION



2

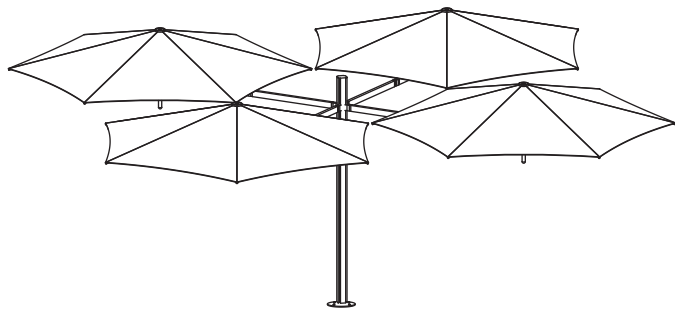


3

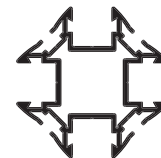
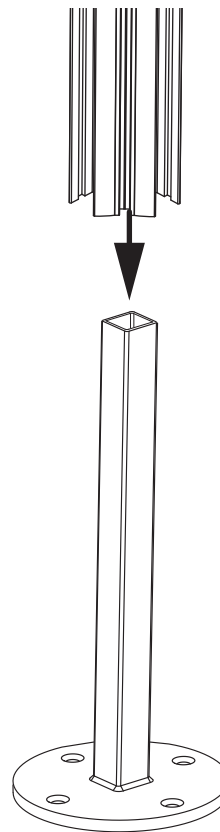


PARAFLEX MULTI POLE INSTALLATION

PFMULTIPOLE + SUPP90



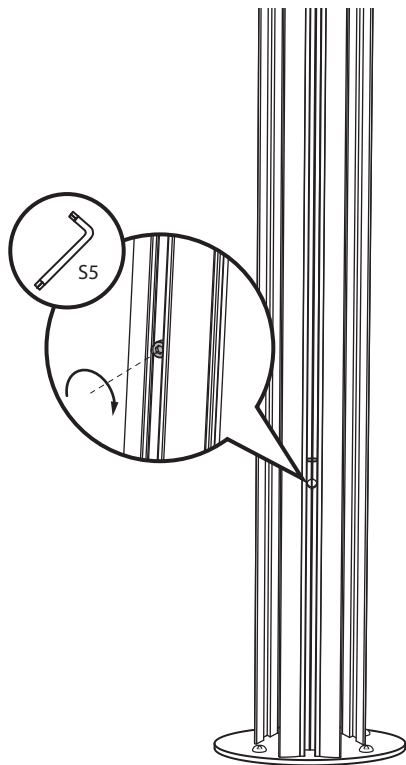
1



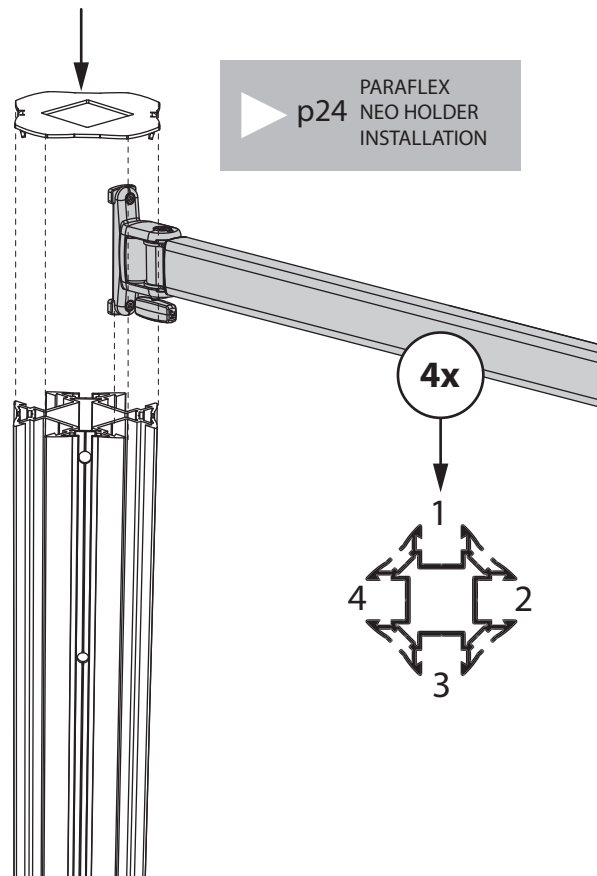
PARAFLEX MULTI POLE INSTALLATION



2



3

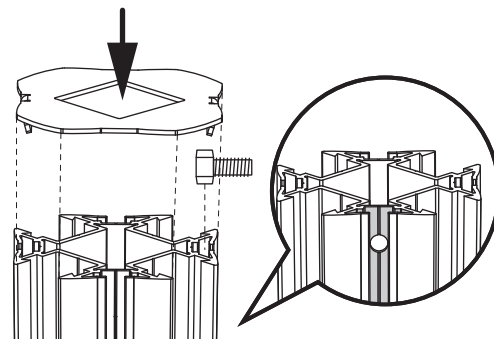
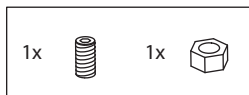


PARAFLEX MULTI 4+1 INSTALATION

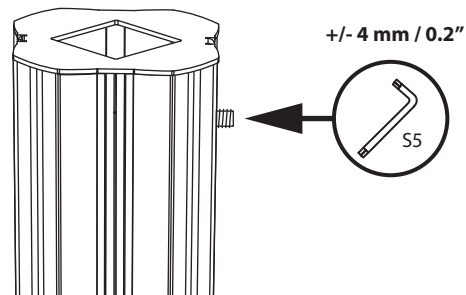
PFPOLETOP-MULTIPOLE



1



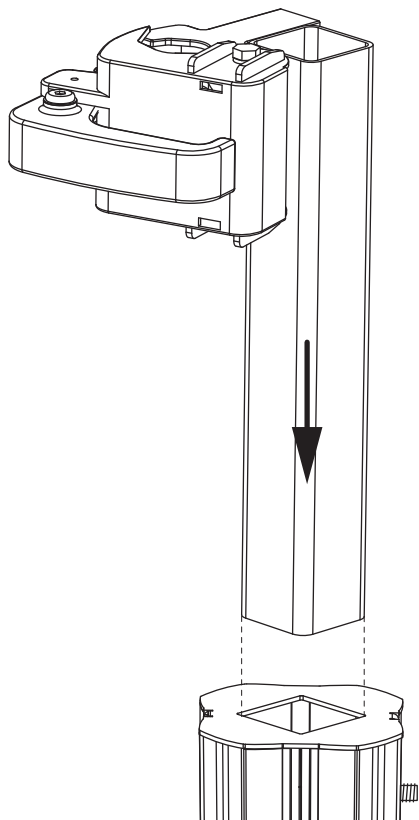
2



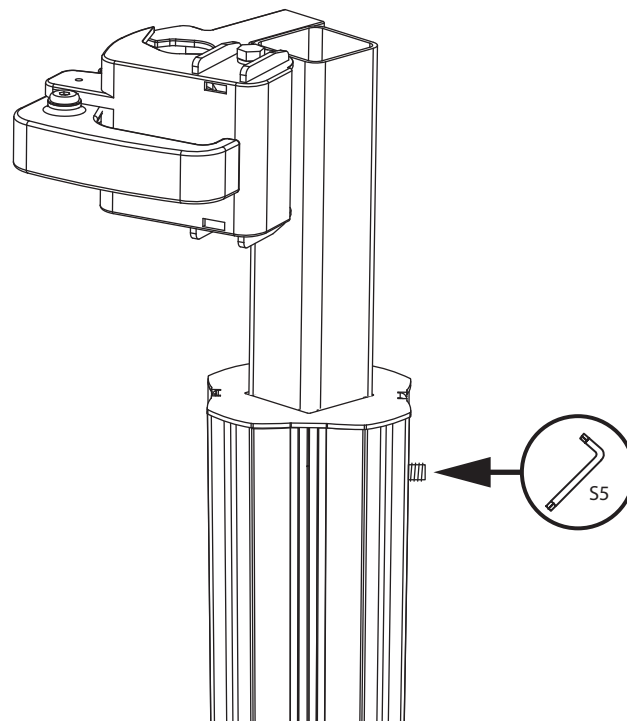
PARAFLEX MULTI 4+1 INSTALLATION



3

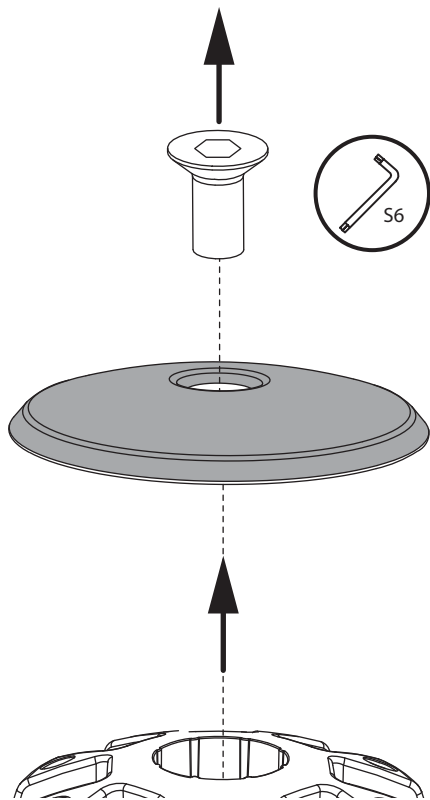


4

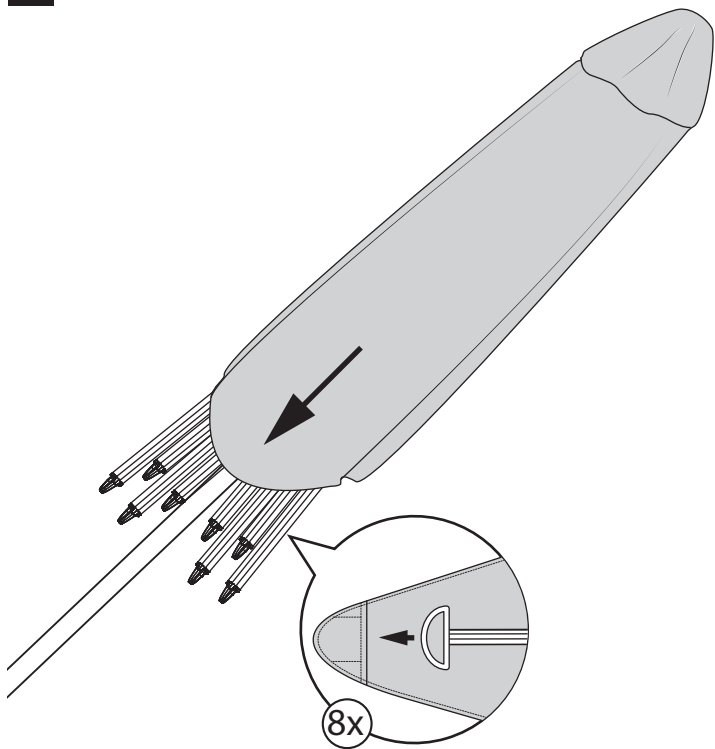


PARAFLEX CANOPY INSTALLATION

1

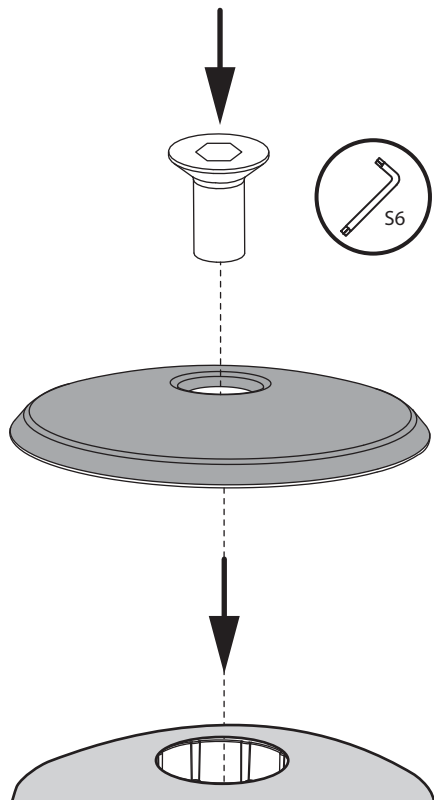


2





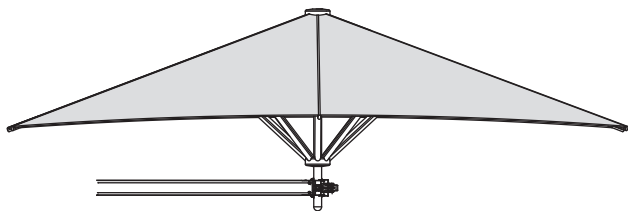
3



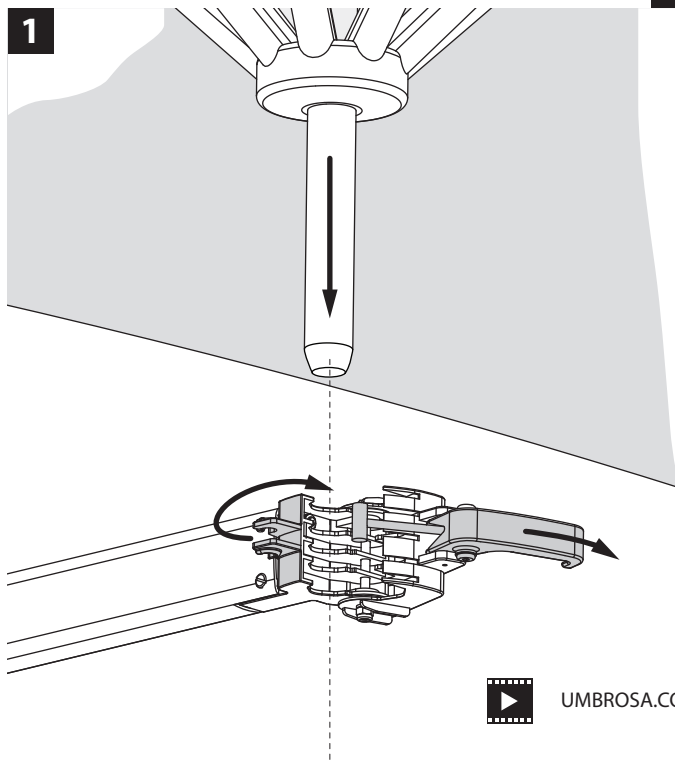
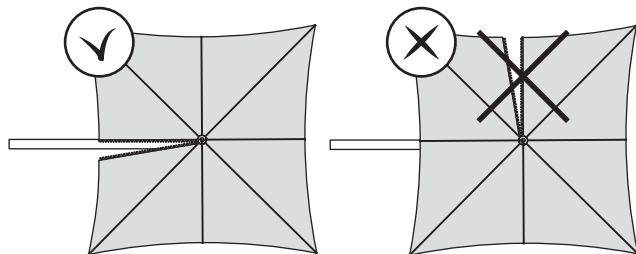
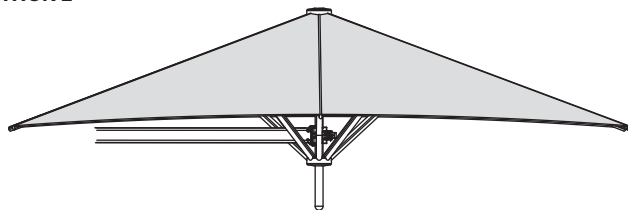
PARAFLEX USER INSTRUCTIONS



POSITION 1

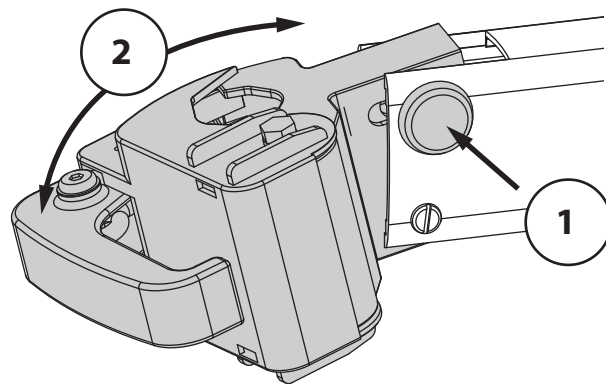
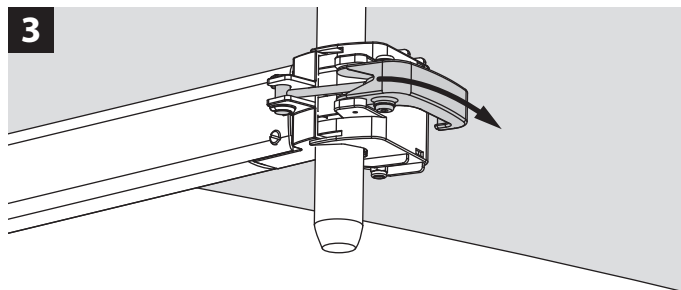
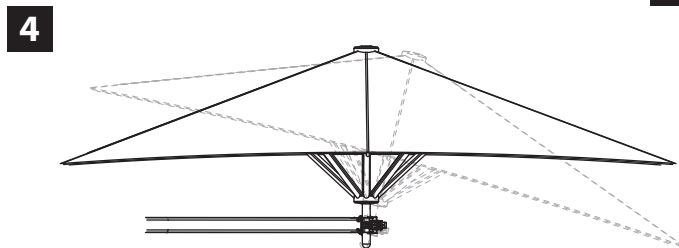
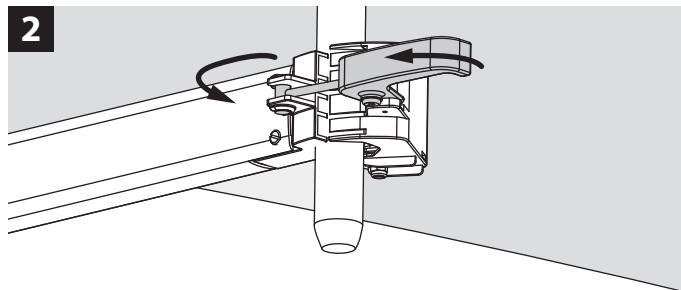


POSITION 2



UMBROSA.COM

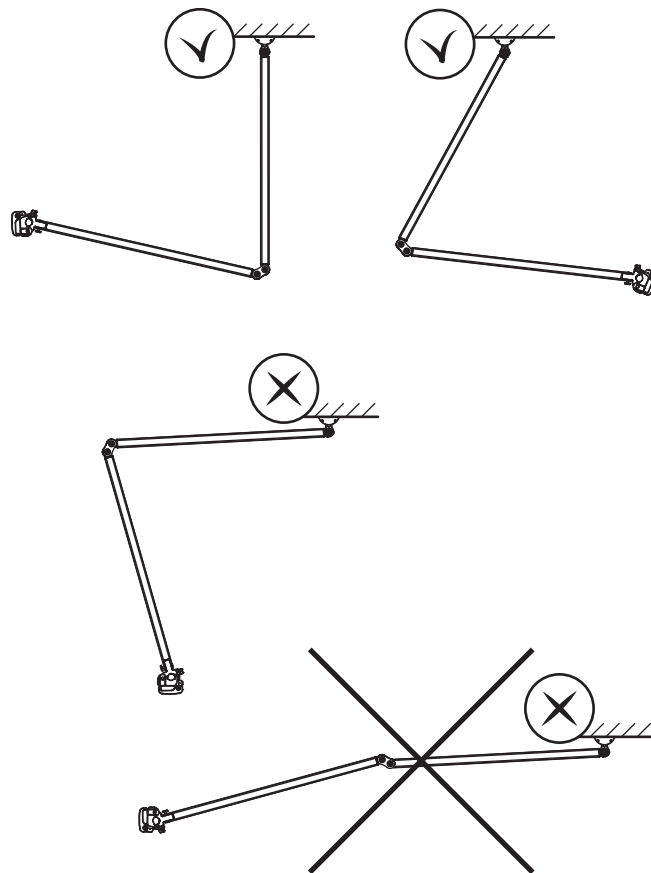
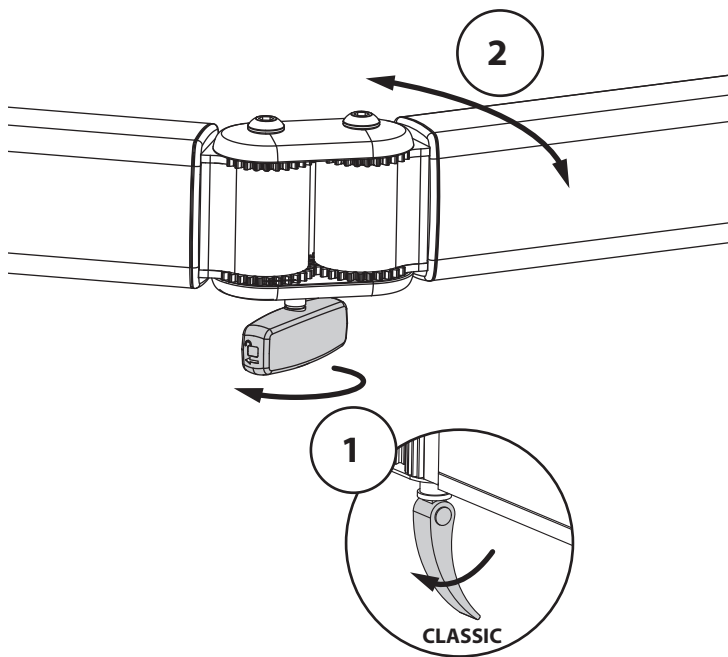
PARAFLEX USER INSTRUCTIONS



CAUTION: Do not use tilt function during winds.
Doing so may cause damage to your umbrella. Canopy can only be closed safely when it is not tilted.



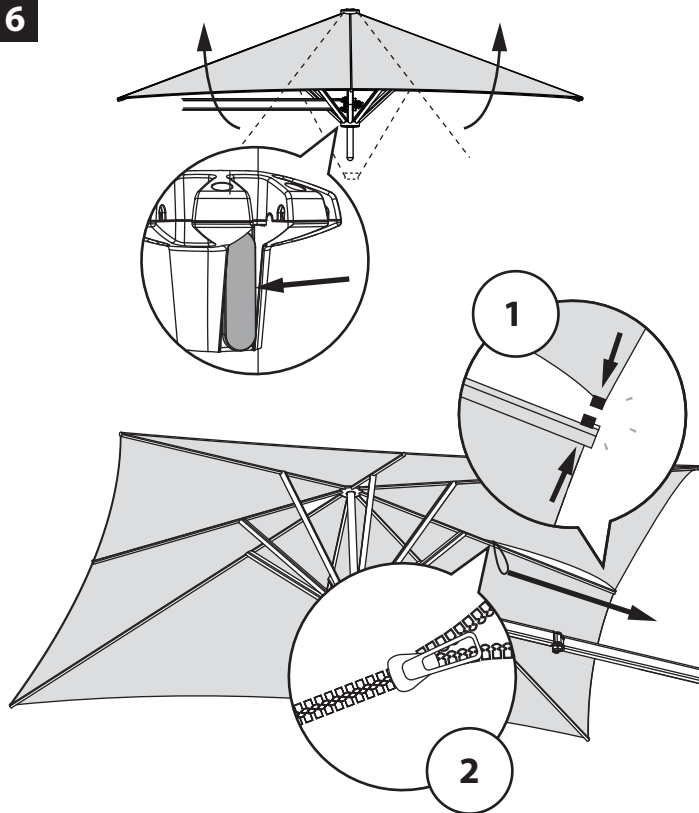
5



CAUTION: Do not use rotating function during winds. Doing so may cause damage to your umbrella.



6



ENG We strive for a perfect cover tension with our Paraflex. The first time, you'll have to use more power to close the cover. From the second use, the cover will be formed and it will close more easily.

NL Met onze Paraflex streven wij naar de perfecte doekspanning. De eerste maal moet u veel kracht uitoefenen om het doek te sluiten. Vanaf het tweede gebruik zal het doek zich zetten, en zal sluiten vlot verlopen.

FR Nous aspirons à une tension de toile impeccable avec notre Paraflex. La première fois, vous voudrez exercer plus de force afin de fermer la toile. A partir de la deuxième utilisation, la toile s'adaptera et fermera plus facilement.

DE Mit unserem Paraflex streben wir nach einem perfekten Tuchspannung. Das erste Mal müssen Sie viel Kraft benutzen um den Tuch zu schließen. Ab dem zweiten Gebrauch wird das Tuch dehnen und wird es flotter schließen.

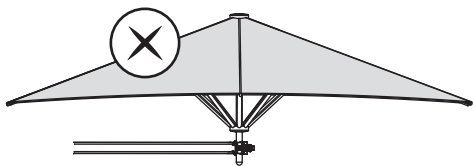
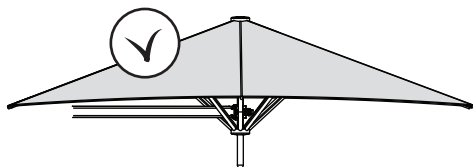
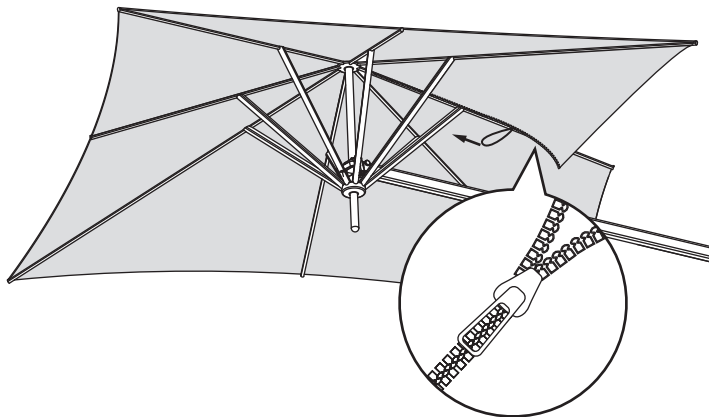
ES Con el Paraflex, nos afanamos por una tensión de lonas perfecta. La primera vez tiene que usar mucha fuerza para cerrar la lona. Desde el segundo uso, la lona adaptará y cerrará muy fluidamente.

IT Anche per il ns. modello Paraflex, ci impegniamo per ottenere una perfetta tensione del telo. La prima volta, e' normale che ci vuole più forza per aprire il telo. A partire dal secondo utilizzo, il telo avrà già preso la sua forma e sarà più facile aprire l'ombrellone.

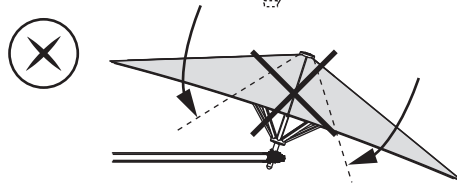
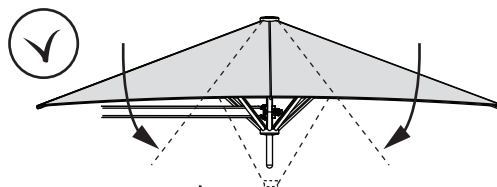
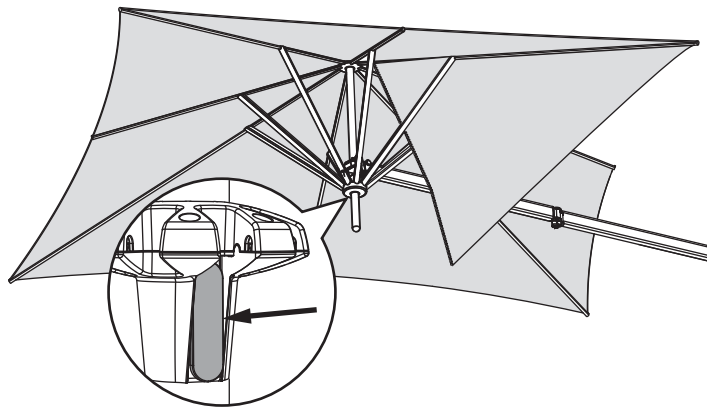
CAUTION: Never force the ribs.
If you experience any resistance, make sure all ribs are freed manually to facilitate opening.



7



8

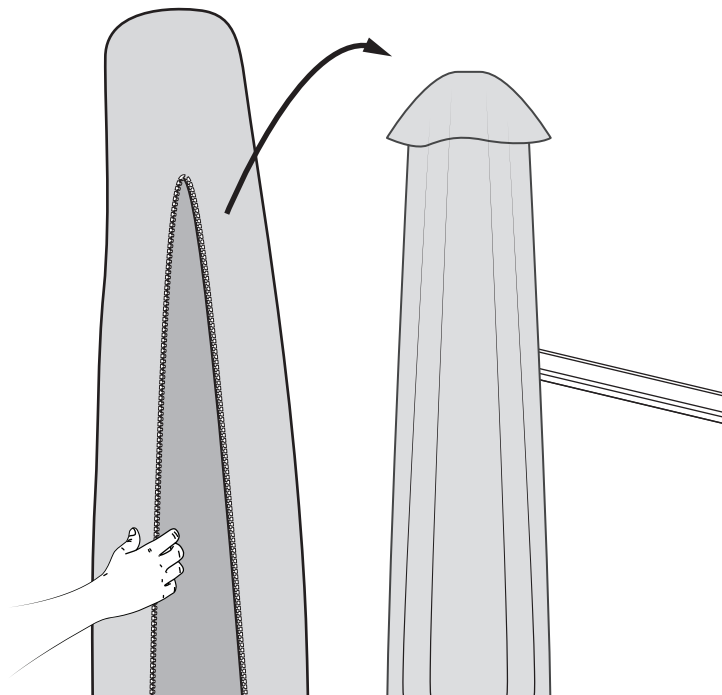


PARAFLEX USER INSTRUCTIONS

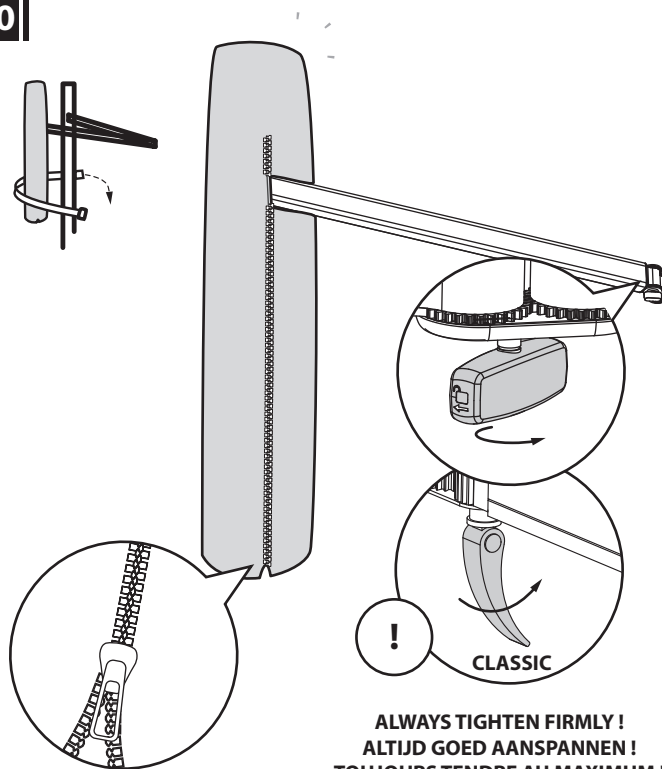
OPTIONAL : PARAFLEX COVER (PFPRO0192CGREY19)



9

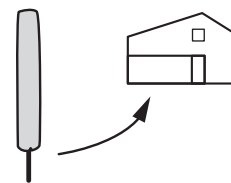
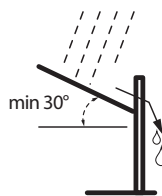
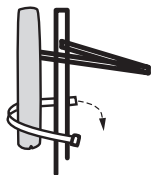
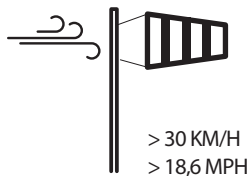


10

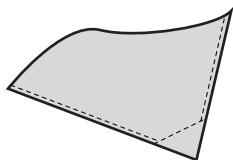


**ALWAYS TIGHTEN FIRMLY !
ALTIJD GOED AANSPANNEN !
TOUJOURS TENDRE AU MAXIMUM !
IMMER GUT ANSPANNEN !
SIEMPRE TENSIONAR BIEN !
STRINGERE BENE !**

TIPS



MAINTENANCE



ENG [Maintenance instructions on website](#)
NL [Onderhoudsinstructies op webpagina](#)
FR [Nettoyage et guide d'entretien sur le site web](#)
DE [Pfleghanweise auf der Webseite](#)
ES [Instrucciones de mantenimiento en el sitio web](#)
IT [Istruzioni di mantenimento sul sito](#)



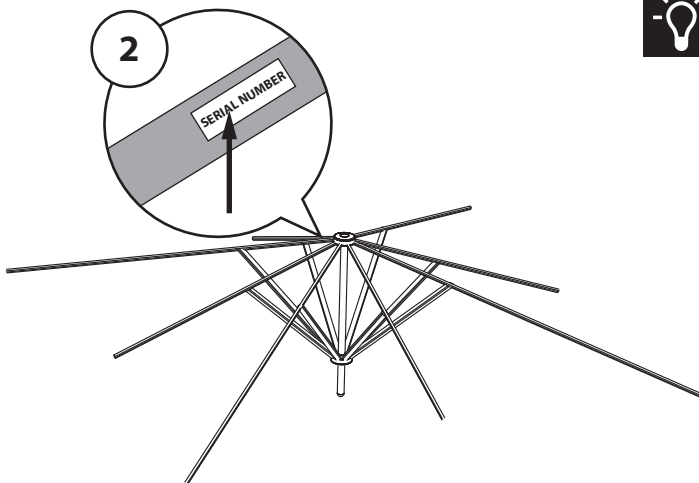
- ENG** In order to **prevent stainless steel from rusting**, it is necessary to treat it frequently and preventatively. Umbrosa recommends cleaning and protecting the surface regularly. Cleaning can easily be done using standard dishwashing detergents. Afterwards, a protection layer can be applied onto the dry surface with a silicon spray. In an aggressive environment (maritime climate, chlorine, acid rain, aggressive industrial or urban environment) we recommend to clean the surface more frequently. Rust can be removed using a cloth and polishing paste. These kinds of products can be bought in do-it-yourself shops, but also in car specialty stores that sell several “stainless steel polishers”.
- NL** **Roestvast staal blijft enkel vrij van corrosie**, wanneer deze goed en preventief wordt behandeld. Umbrosa raadt bijgevolg aan om regelmatig het oppervlak te reinigen en beschermen. Reinigen kan eenvoudig met warm water met afwasmiddel zoals “Dreft”. Nadien brengt u op het droge oppervlakte een bescherm laag aan met bijvoorbeeld Silicone spray. In een agressieve omgeving (maritiem klimaat, chloor, zure regen, agressieve industriële of stedelijke omgeving), dient men de frequentie van dit preventief onderhoud op te drijven. Wanneer lichte roest zichtbaar is, dient deze te worden verwijderd met doek en speciale polierpasta. Dergelijke producten zijn te koop in Doe-het-Zelf zaken, alsook in autospecialzaken waar men verschillende “stainless steel polishers” verkoopt.
- FR** Pour **éviter que L’acier inoxydable corrode**, c’est nécessaire de traiter la surface régulièrement. Umbrosa conseille de nettoyer et protéger régulièrement la surface en utilisant l’eau chaude et un peu de détergent. Après, sur la surface sèche, vous pouvez appliquer une couche de protection avec, par exemple, un spray de Silicone. Surtout dans un environnement agressif (climat maritime, chlore, pluie acide, environnement industriel ou urbaine agressif) nous recommandons de nettoyer fréquemment la surface. Vous pouvez éliminer des éventuelles taches de rouille avec un chiffon et du cirage. Vous pouvez trouver ce type de produits dans des magasins bricolage, mais aussi dans des magasins spécialisés, ou on vend plusieurs “stainless steel polishers”.
- DE** **Edelstahl bleibt nur frei von Korrosion**, wenn dieser gut und Präventiv behandelt wird. Umbrosa empfiehlt regelmäßig die Oberfläche zu reinigen und zu schützen. Reinigung kann problemlos mit warmem Wasser mit Seife. Danach bearbeiten Sie die trockene Oberfläche mit einer Schutzschicht z.B. Silikon spray. In einem aggressiven Umfeld (Seeklima, Chlor, saurer Regen, aggressive Industrie- oder städtischen Umwelt) sollte man diese Behandlung häufig machen. Sichtbaren Rost sollte mit Tuch und spezielle Polierwerkzeuge Paste entfernt werden. Solche Produkte findet man in Baumärkten sowie in Auto Läden wo man verschiedene “Edelstahl Polierer verkauft”.
- ES** **Acero inoxidable sólo permanece libre de corrosión**, cuando esta bien y se trata como una medida preventiva. Umbrosa recomienda de limpiar regularmente la superficie para y proteger. Limpieza puede fácilmente con agua tibia con jabón del plato. Luego, lleva sobre la superficie seca con una capa protectora para por ejemplo spray de silicona. En ambientes agresivos (clima marítimo, cloro, lluvia ácida, agresivo ambiente urbano o industrial), la frecuencia de este mantenimiento preventivo para arriba. Cuando el moho visible, se debe retirar con paño y pasta de pulir especial. Estos productos se venden en ferreterías, así como en tiendas de coches donde uno diferentes vende “pulidores de acero inoxidable”.
- IT** Per **prevenire l’arruginirsi dell’acciaio inox**, è necessario curarlo frequentemente e preventivamente. Umbrosa consiglia di pulire e proteggere frequentemente la superficie. E’ possibile pulire l’acciaio inox con acqua calda e detergente. Dopo aver pulito la superficie, la potete proteggere applicando sulla superficie asciutta uno strato protettivo con, per esempio, lo spray al silicone. In un ambiente aggressivo (clima marittimo, cloro, pioggia acida, ambiente aggressivo industriale o urbano) consigliamo di pulire la superficie più spesso. E’ possibile rimuovere possibili macchie di ruggine con uno straccio e un po’ di lucidante. Questi prodotti sono disponibili in negozi fai da te, ma anche in negozi specializzati (come quelli che vendono i prodotti per pulire le macchine) che vendono vari “stainless steel polishers”.

WARRANTY

KEEP THIS AVAILABLE

1 PROOF OF PURCHASE / AANKOOPBEWIJS / PREUVE D'ACHAT /
KAUFBELEG / JUSTIFICANTE DE COMPRA / PROVA D'ACQUISTO

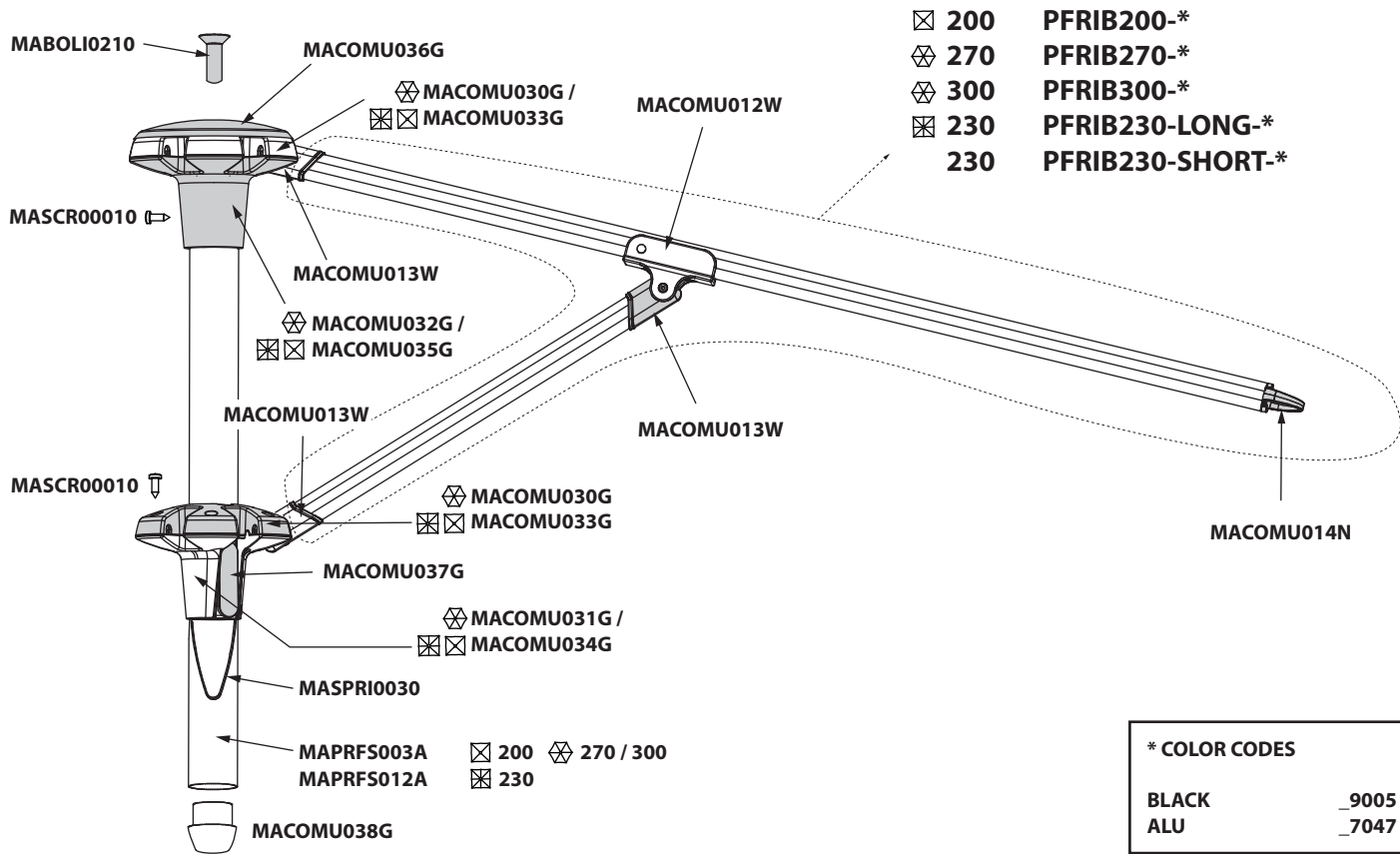
2 SERIAL NUMBER / SERIENUMMER / NUMÉRO DE SÉRIE /
SERIENNUMMER / NÚMERO DE SERIE / NUMERO DI SERIE



ENG [Warranty conditions on website](#)
NL [Garantievoorwaarden op webpagina](#)
FR [Conditions de garantie sur le site Web](#)
DE [Garantiebedingungen auf der Webseite](#)
ES [Condiciones de garantía en el sitio web](#)
IT [Condizioni di garanzia sul sito](#)

SPARE PARTS

PARAFLEX FRAME



* COLOR CODES	
BLACK	_9005
ALU	_7047

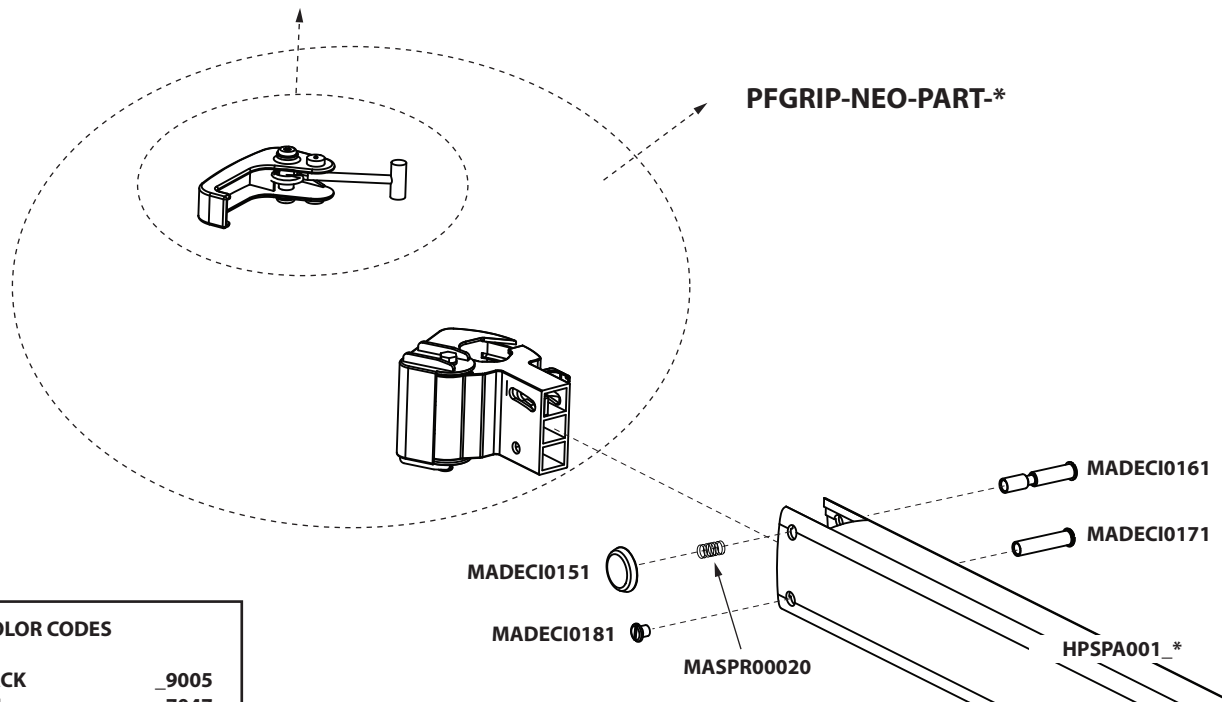
SPARE PARTS

PARAFLEX NEO ARM



HPFCLAMPHENDEL*

PFGRIP-NEO-PART-*



* COLOR CODES

BLACK	_9005
ALU	_7047

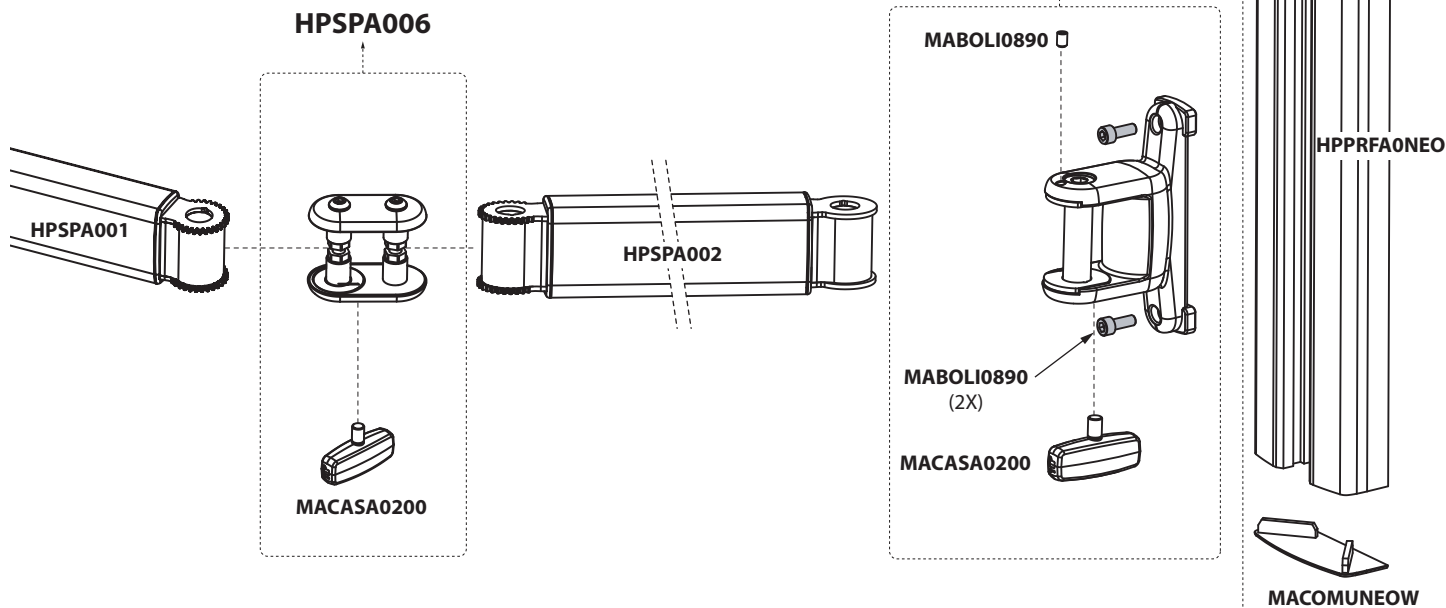
SPARE PARTS

PARAFLEX NEO ARM



* COLOR CODES

BLACK	_9005
ALU	_ANAT



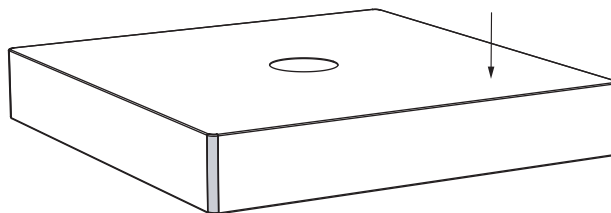
SPARE PARTS

LARGE STANDARD TILE BASE



MABOLI0960
(4x)

COLOUR-COVERN-L-TBASE



MACOMU062*
(4x)

MASCR00077
(8x)



MACOMU065
1x TOOL

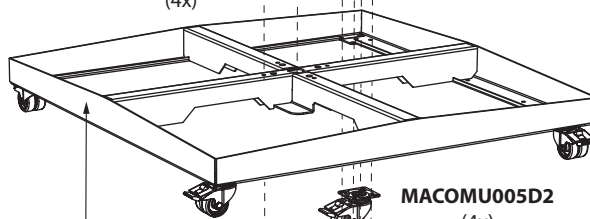


MACOMU064_B
16x

UMFRATBCR80_V1_HDGV
(2x)

MABOLI0560
(4x)

UMFIXG0020_V1
(4x)



MACOMU005D2
(4x)

MABOLI0200
(16x)

UMFRAT_V1_HDGV

UMFIXG0021_V1
(4x)

* PLASTIC COLOR CODES

GREY	_7047
BLACK	_9005
BEIGE LIMESTONE	_1013

UMBROSA

UNIQUE SHADE DESIGN

Umbrosa

Beversesteenweg 565 B, 8800 Roeselare, Belgium.

T: +32 51 30.22.60 | F: +32 51 30.22.62 | E: info@umbrosa.com | www.umbrosa.com

Umbrosa Inc

530 7th Avenue, Suite 902, New York, NY 10018

T: (855) 285-6595 | E: info@umbrosa.com | www.umbrosa.com

The content of this document, in particular the mentioned models, is protected by copyrights and/or design rights. The present document and its content is communicated to you for information purposes only. Any partial or total reproduction or any other use without our prior written permission is strictly prohibited. This technical sheet remains subject to possible changes. Of course we do our best to eliminate all mistakes, but Umbrosa is not responsible for the errors in the documentation of products. All measurements are approximate and are provided for informational purposes only.

VERSION 20260109