

UMBROSA

UNIQUE SHADE DESIGN



ECLISUM UX/PX



INSTALLATION MOVIES



ECLISUM UX DEMO MOVIE

UMBROSA.COM

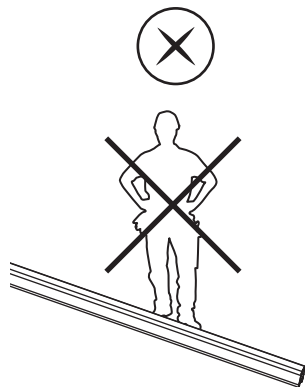
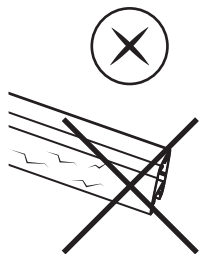
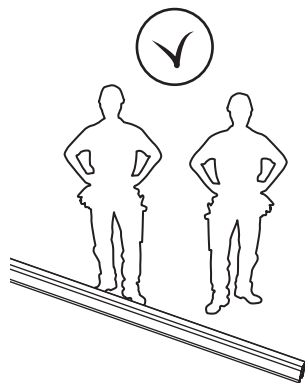
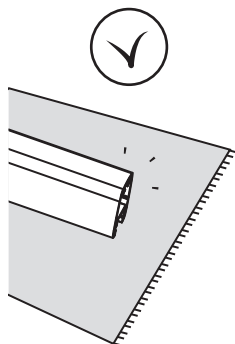
- ENG** Congratulations with your purchase! Please completely read and follow all the instructions.
- NL** Proficiat met uw aankoop! Gelieve alle instructies te lezen en op te volgen.
- FR** Félicitations avec votre achat. Lisez svp les instructions complètes.
- DE** Herzlichen Glückwunsch zu Ihrem Kauf! Bitte vollständig lesen und befolgen Sie alle Anweisungen.
- ES** Felicidades con su compra! Por favor lea y siga todas las instrucciones.
- IT** Congratulazioni con il Vs. acquisto! Vi preghiamo di leggere bene le istruzioni e di seguirne scrupolosamente le indicazioni.

IMPORTANT:

Please read this entire manual before installing or operating your umbrella, to reduce risk of personal injury in which a person is injured or harmed, and/or damage to personal property. Prior to assembly it is important to decide on the location of the umbrella and to respect the following instructions:

- Choose a location that is level and sturdy.
- Avoid any sloping of soft ground.
- Consider a location that will maximize the umbrella's 360° rotating function (if available)
- Two-person team is recommended for assembly

BEFORE YOU START



SAFETY STATEMENTS & WARNINGS



- Product is suitable for light wind and/or light rain only.
- Position product in direction of wind as recommended in user manual.
- Do not use product in inclement weather, such as strong wind, thunderstorms, heavy rain or snow, and make sure that the umbrella is closed and stored in advance.
- Never allow the umbrella to flap in the wind. This could cause personal injury, damage to personal property, damage to umbrella and/or umbrella canopy.
- Close product and secure strap when not in use.
- Do not use product without its base or unless attached to building structure, and keep umbrella secured to umbrella base or mount at all times.
- Do not use product over or near harsh chemicals or open flames.
- Place product on stable and level surface.
- Do not allow children to assemble or operate product.
- Do not leave product unattended.
- Store product indoors during winter and extreme weather conditions.
- When adjusting or assembling the umbrella or umbrella base, make sure fingers, toes or any other parts of the body are clear from moving parts. Failing to do so may result in serious injury.
- Only use Umbrosa replacement parts.
- Read owner's manual.
- Any modifications to the product or failure to follow recommended care will void the warranty.
- Wind damage is not covered under our limited warranty.

DISCLAIMER:

All mounting kits and supports for inground fitting and installation on hard surfaces should only be installed by a licensed contractor duly qualified to perform the installation. Umbrosa assumes no liabilities and expressly disclaims any responsibilities for injuries or damages arising from or related to the failure of buyer to have any kit or fitting installed by a licensed professional contractor.

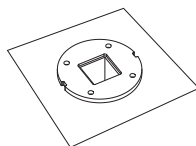
INDEX

BASE AND MOUNTING OPTIONS



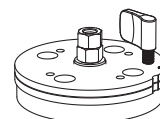
LARGE TILE BASE UX

p7



CONCRETE ANCHOR

p15



GROUND MOUNTING

p23

p28

ECLIPSUM



INSTALLATION

p30



USER INSTRUCTIONS

p40



TIPS AND MAINTENANCE

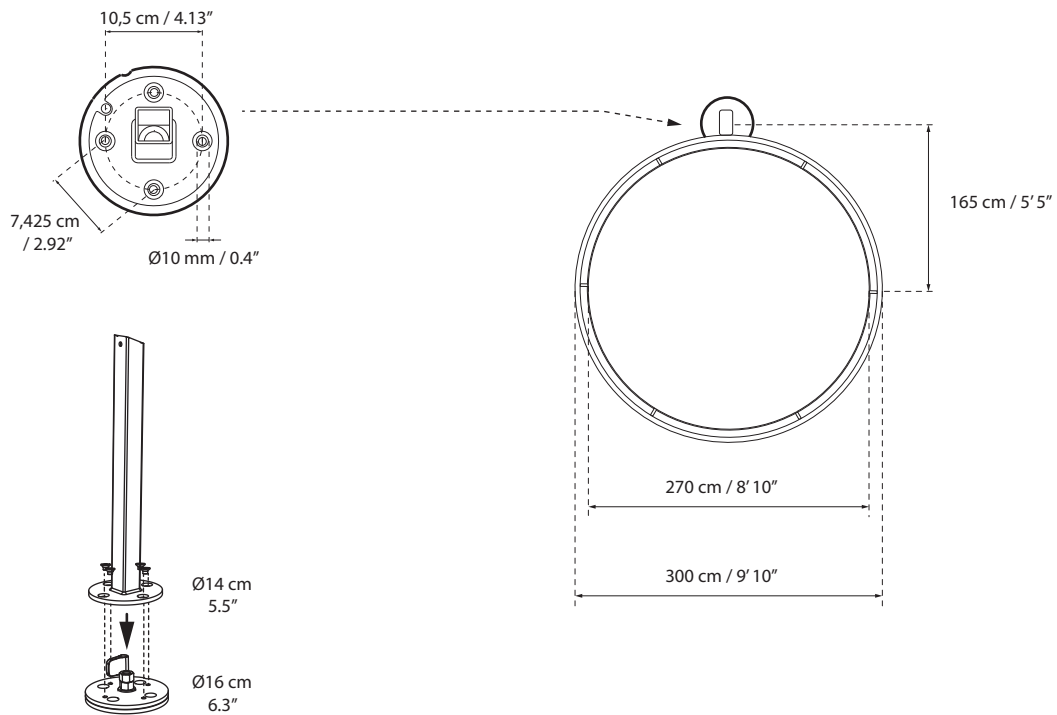
p42



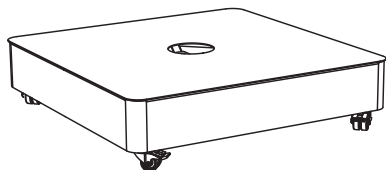
WARRANTY AND
SPARE PARTS

p45

INSTALLATION DIMENSIONS



PX TILE BASE INSTALLATION



TOP PLATE
BASETOPPLATE*-L



UX FRAME
BASEFRAMEX*-L



4x
**WHEEL
MAWHE005**



4x
**WHEEL PLATE
MAPLAS008_EGAB**



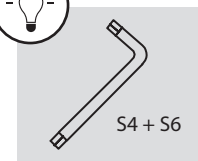
16x
**M6x12
MABOLI7380_M6X12**



4x
**NUT PLATE
UMFIXG0021_V1**

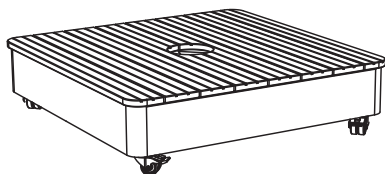


4x
**M 10x45
MABOLID7991_M10x45**



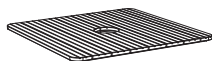
S4 + S6

PX TILE BASE WITH WOODEN TOPPLATE INSTALLATION



Our UX wooden covers are made of thermotreated poplar wood that has not been treated for color stability.

The wood will weather with outdoor exposure and turn grey.



WOOD TOP
BASETOP
PLATEWOOD-L



UX FRAME
BASEFRAME*-L



SUPPORT SPACERS
MAPLAF016G



4x
WHEEL
MACWHE005



4x
WHEEL PLATE
MAPLAS008_EGAB



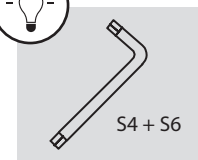
16x
M6x12
MABOLII7380_M6X12



4x
NUT PLATE M6
UMFIXG0021_V1



4x
M 10x60
MABOLID7991_M10X60



S4 + S6

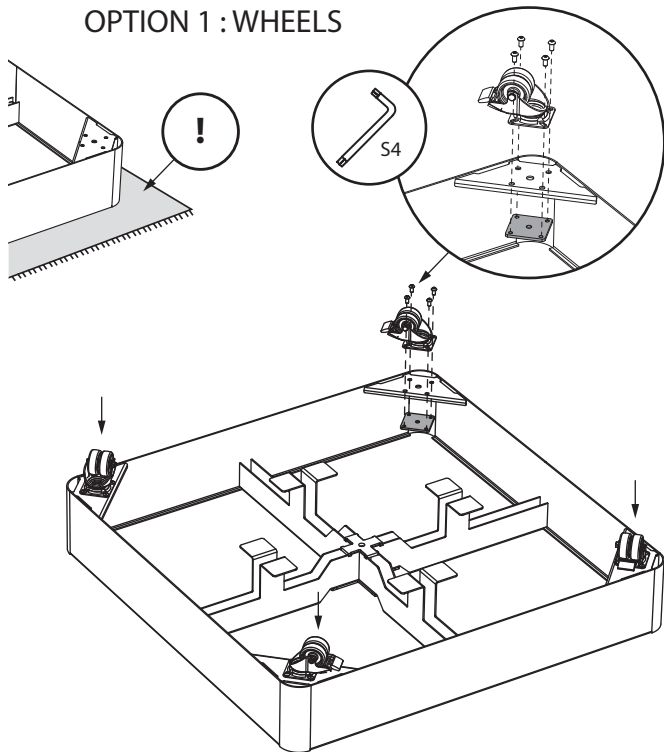
PX TILE BASE INSTALLATION



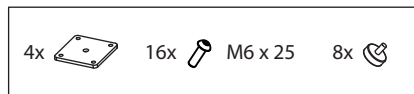
1



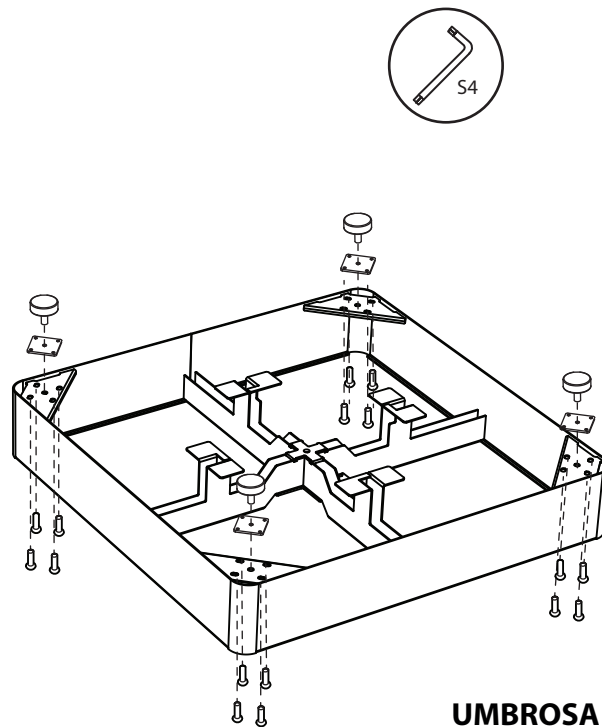
OPTION 1 : WHEELS



1'



OPTION 2 : FEET



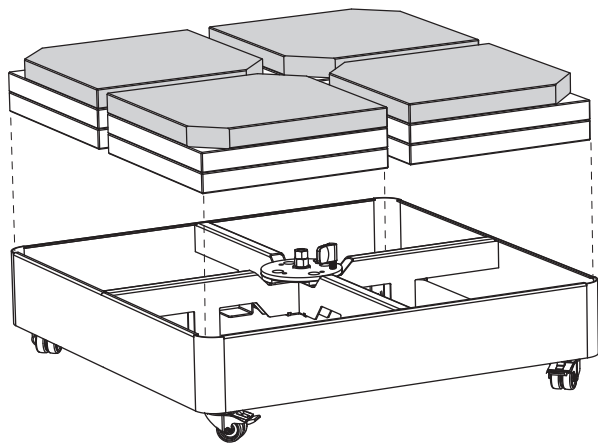
PX TILE BASE INSTALLATION



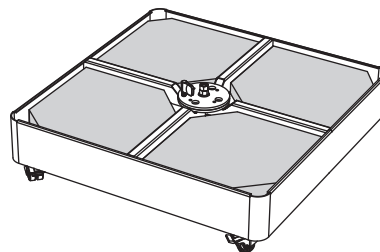
3

BASE TILE DIMENSIONS

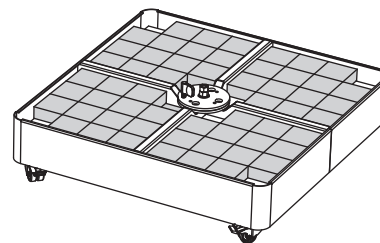
	MINIMUM	MAXIMUM
TILE SIZE	38 x 38 cm	40 x 40 cm
	15" x 15"	16" x 16"
TILE THICKNESS	38 mm	45 mm
	1 1/2"	1 3/4"



TOP LAYER TILE OPTIONS



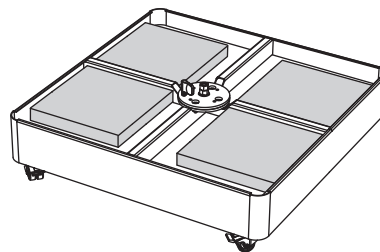
CONCRETE TILE
WITH CORNER CUT



SMALL CONCRETE
TILES

example:

10x10 cm / 0.4"x0.4"
max. thickness = 4 cm / 1.75"



SMALLER CONCRETE
TILE

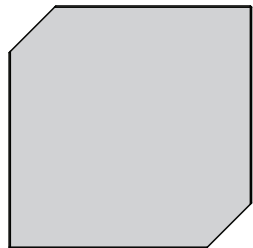
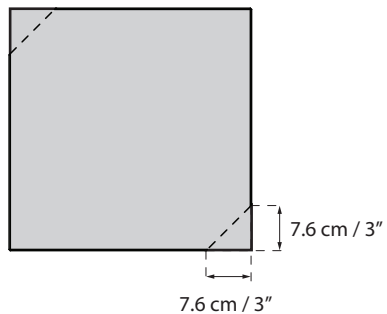
example:

30x30 cm / 12"x12"
max. thickness = 4 cm / 1.75"

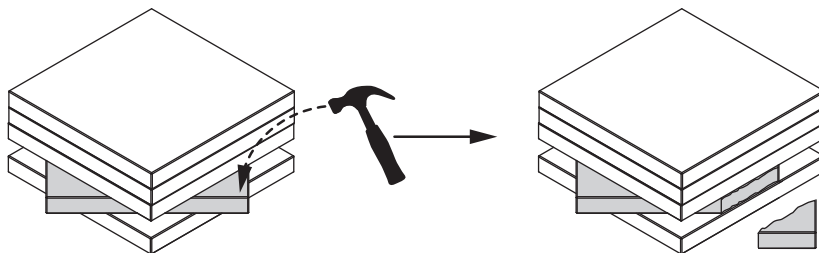
PX TILE BASE INSTALLATION



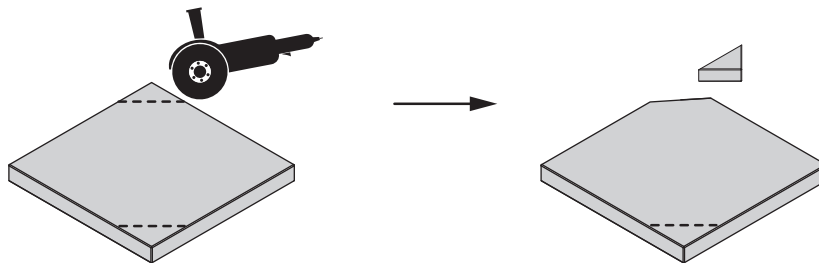
*CORNER CUT TUTORIAL



OPTION 1: BREAK CORNER



OPTION 2: CUT CORNER



PX TILE BASE INSTALLATION (ONLY FOR WOOD TOP)

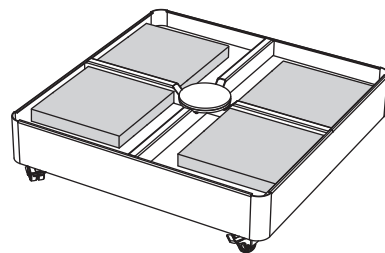
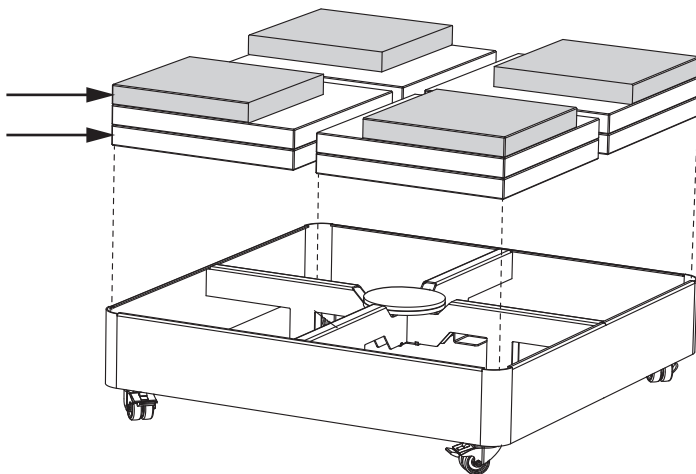


3'

ONLY FOR WOOD TOP:

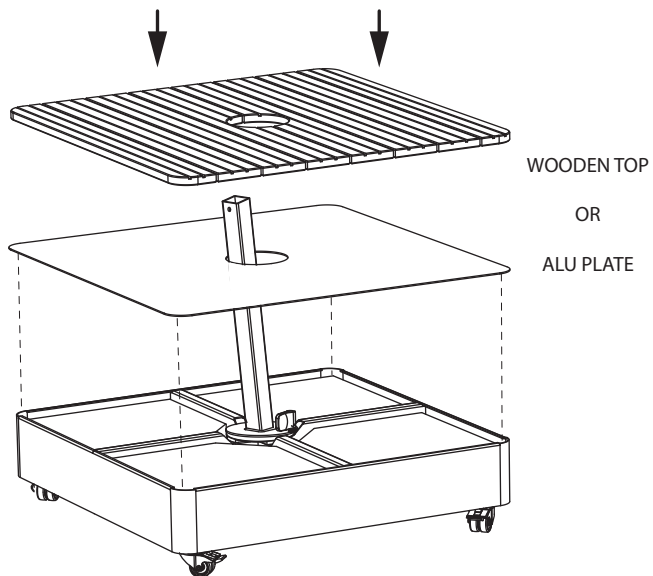
1 LAYER SMALL TILES

2 LAYERS LARGE TILES

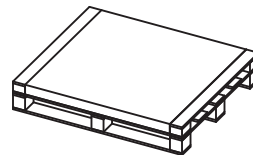
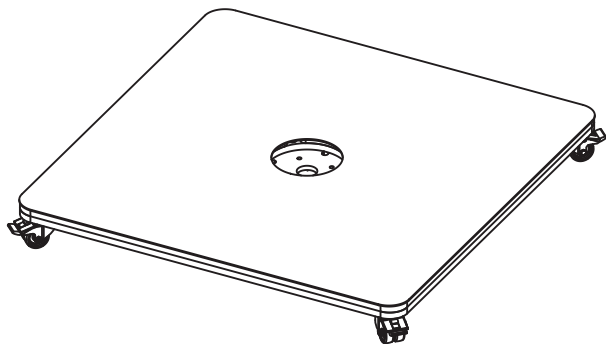




4



LARGE FLAT BASE INSTALLATION



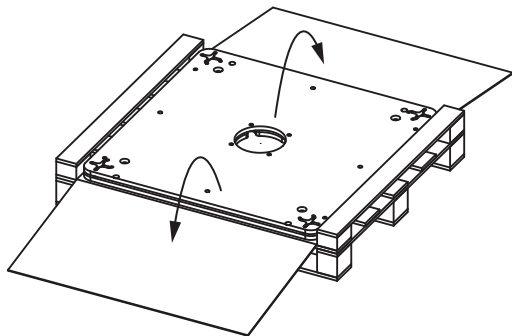
Base box
120 x 92 x 30 cm
3'11.2" x 3'0.2" x 11.8"

Weight
180 kg
396 lbs

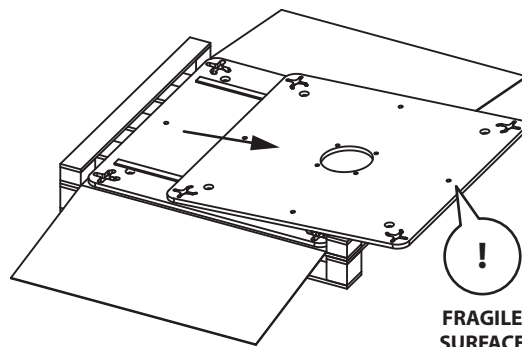
LARGE FLAT BASE INSTALLATION



1



2



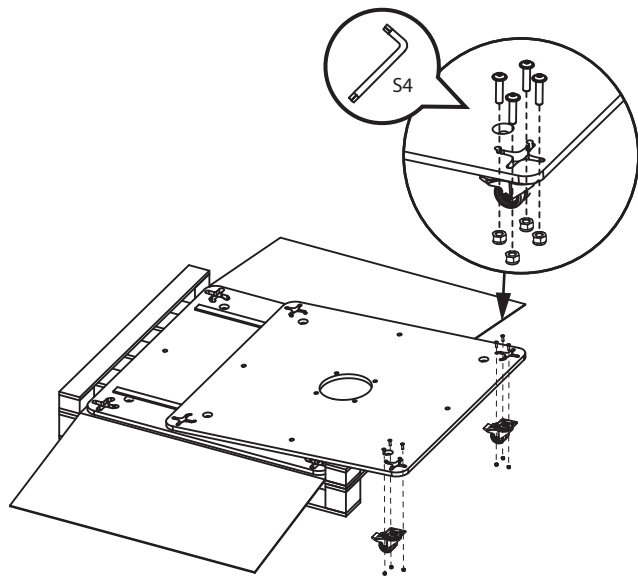
LARGE FLAT BASE INSTALLATION



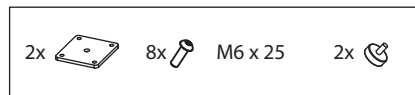
3



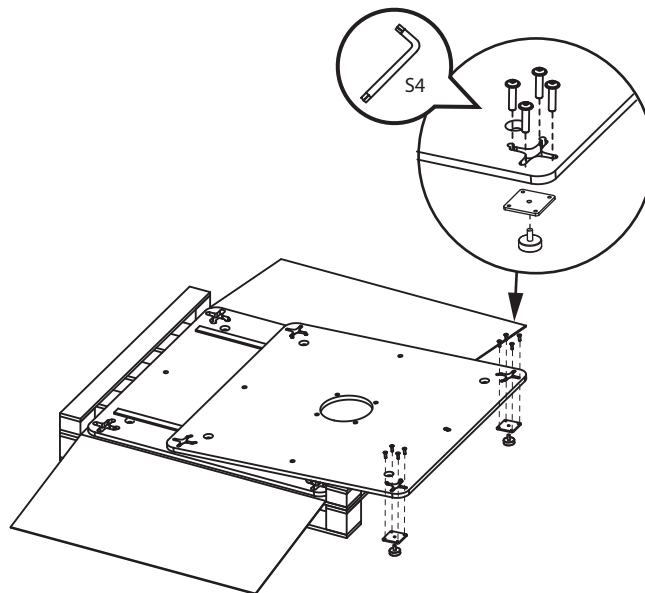
OPTION 1 : WHEELS



3'



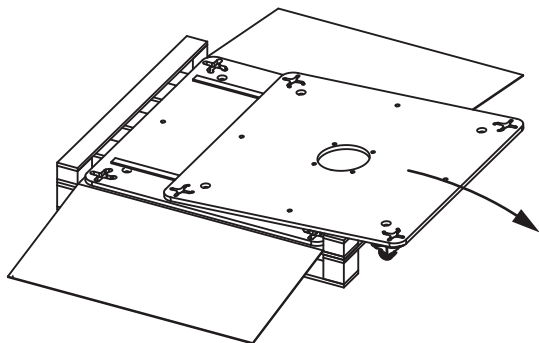
OPTION 2 : FEET



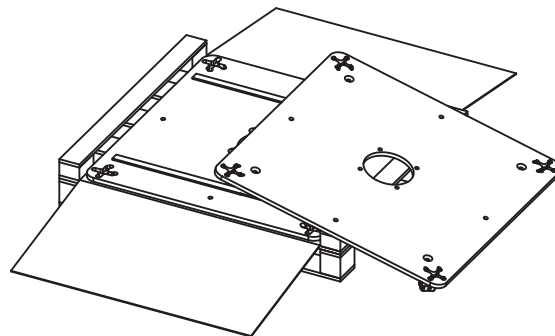
LARGE FLAT BASE INSTALLATION



4



5



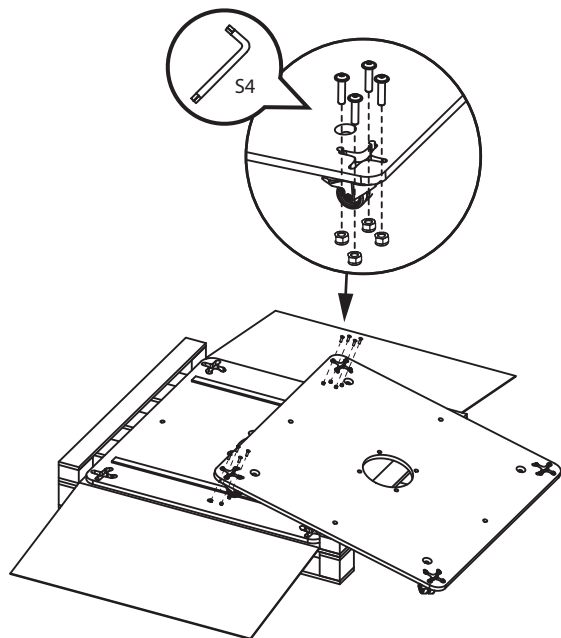
LARGE FLAT BASE INSTALLATION



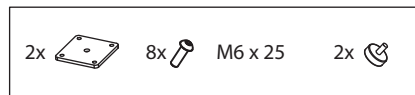
6



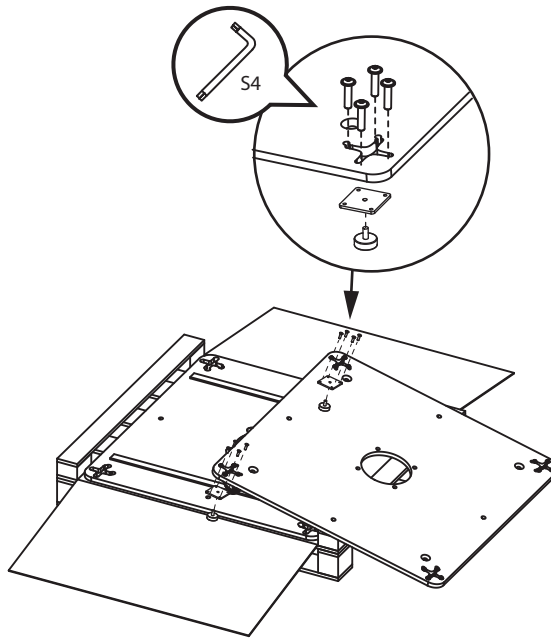
OPTION 1 : WHEELS



6'



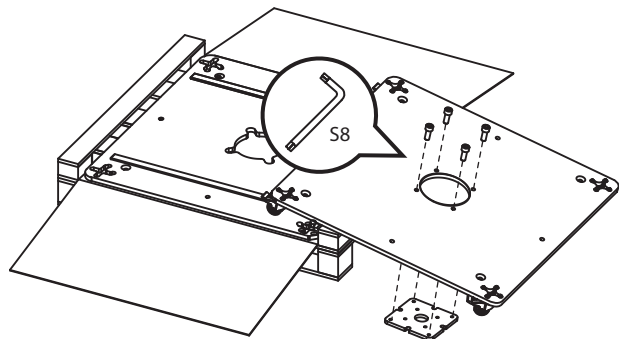
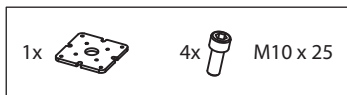
OPTION 2 : FEET



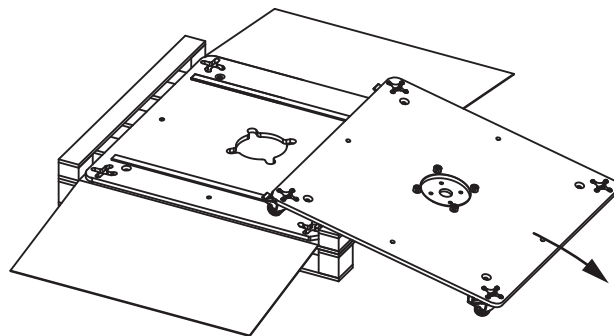
LARGE FLAT BASE INSTALLATION



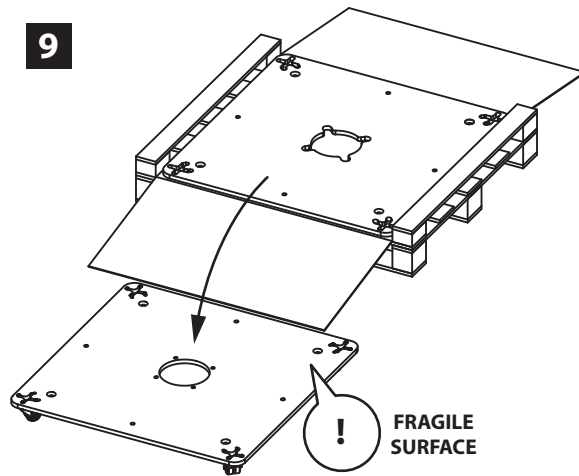
7



8



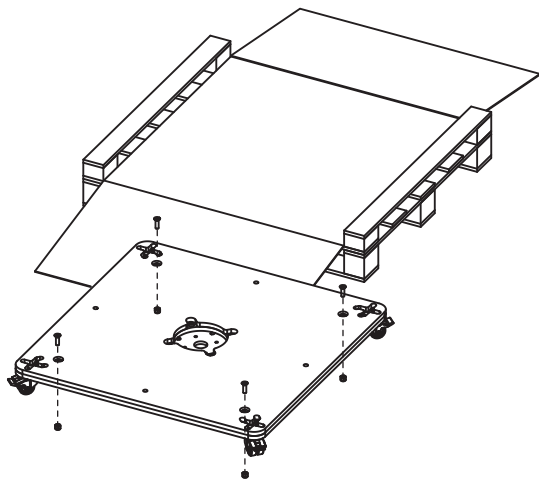
9



LARGE FLAT BASE INSTALLATION


10

4x  M10x35 4x  M10




11

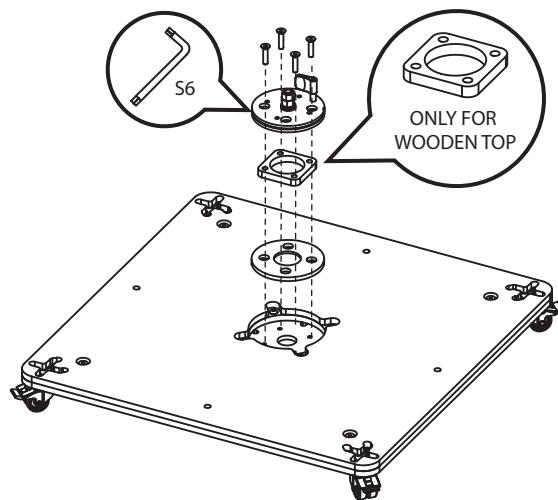
1x 

4x  M10 x 25
only for alu top

1x 

4x  M10 x 45
only for wooden top

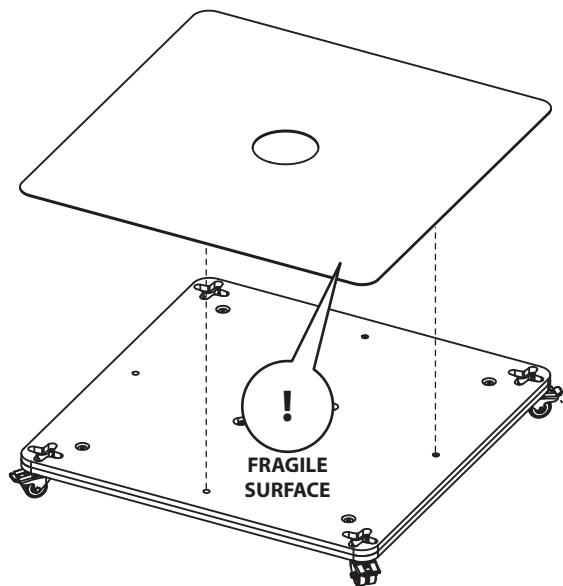
1x  only for
wooden top





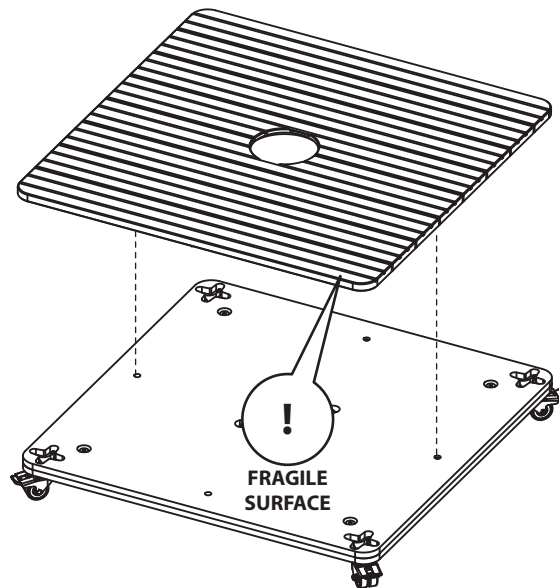
12

ALUMINUM TOP PLATE



OR

WOODEN TOP PLATE

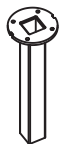
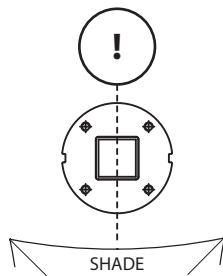
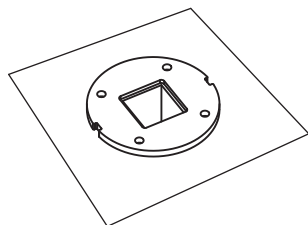


CONCRETE ANCHOR INSTALLATION

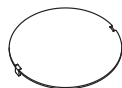
INGROUNDANCHORTYPE1



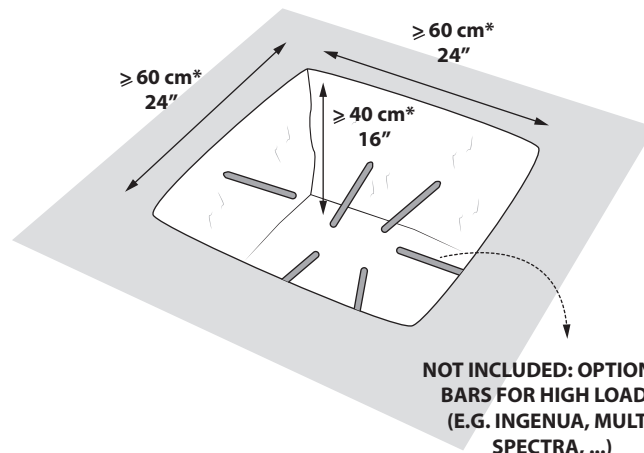
1



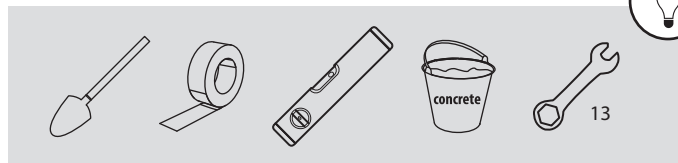
MAFIXS009S5090
_HDGV



MAPLAICROT CAP20



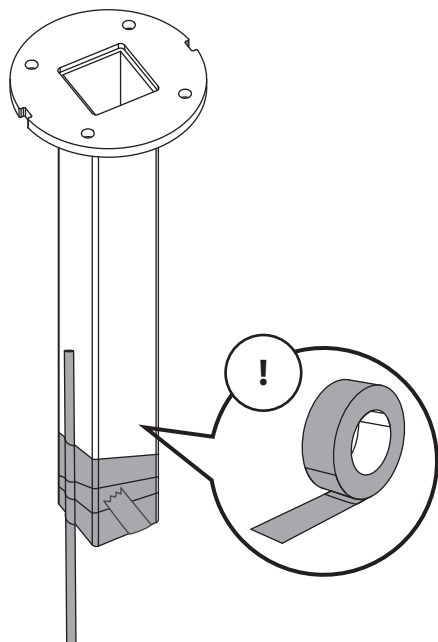
- ENG** Dimensions are indicative. Final responsibility always lies with the installer.
NL Maten zijn informatief. Eindverantwoordelijkheid ligt bij installateur.
FR Les dimensions indiquées sont seulement à titre informatif. La responsabilité finale incombe à l'installateur.
DE Die Maße sind nur informativ. Der Installateur trägt die Verantwortung für die Ausführung.
ES Los tamaños son solamente informativos. El instalador es responsable del acabado final.
IT Dimensioni sono indicative. La responsabilità finale spetta sempre all'installatore.



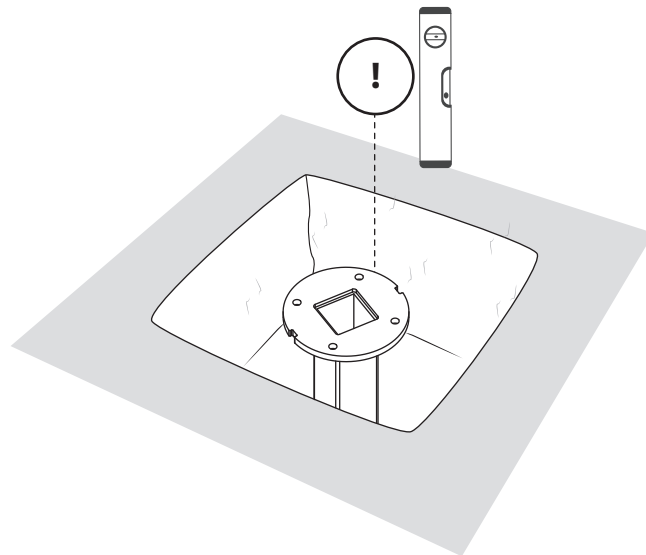
CONCRETE ANCHOR INSTALLATION



2



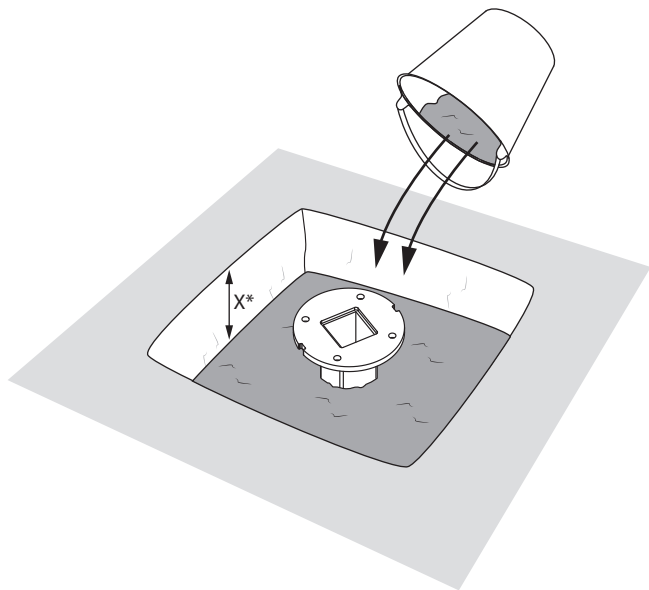
3



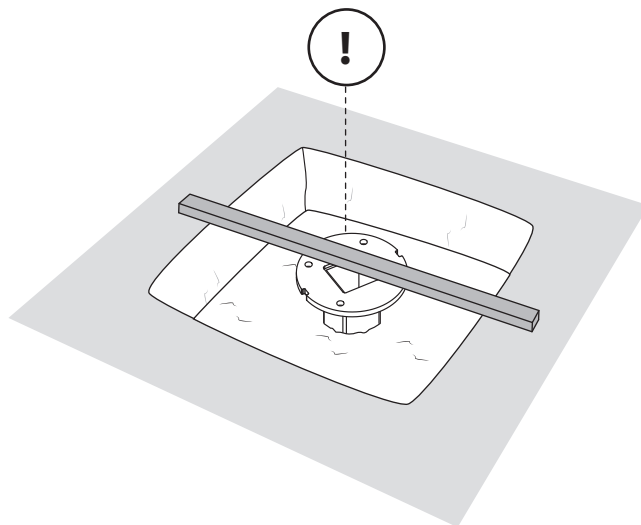
CONCRETE ANCHOR INSTALLATION



4



5

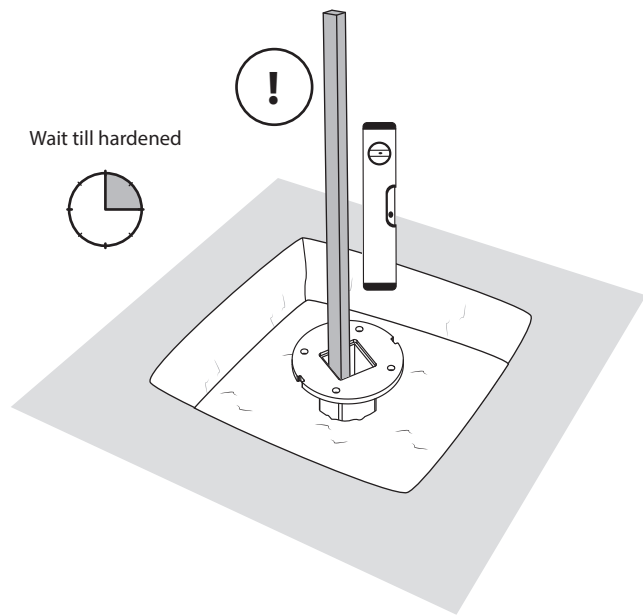


	 GRASS	 GRAVEL	 H TILES
 X*	10 cm / 4"	4 cm / 1 1/2"	= H

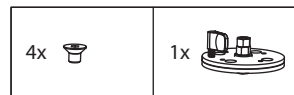
CONCRETE ANCHOR INSTALLATION



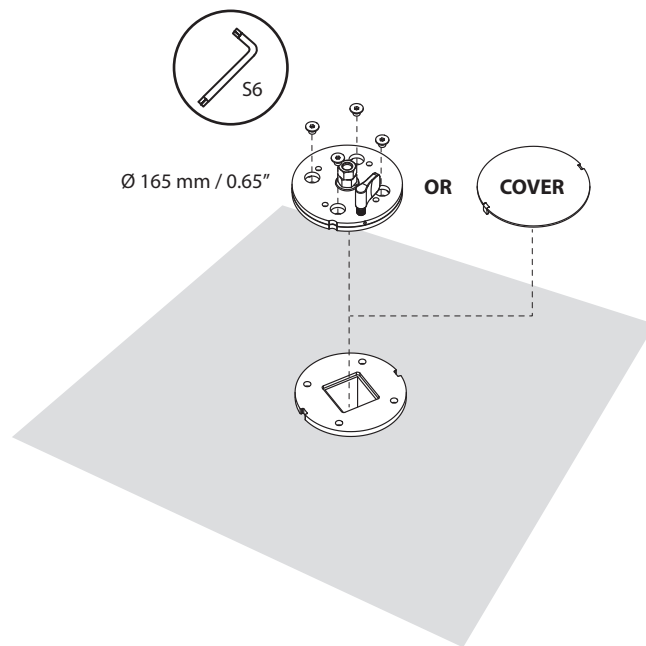
6



7



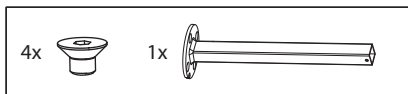
SEE UMBRELLA BOX



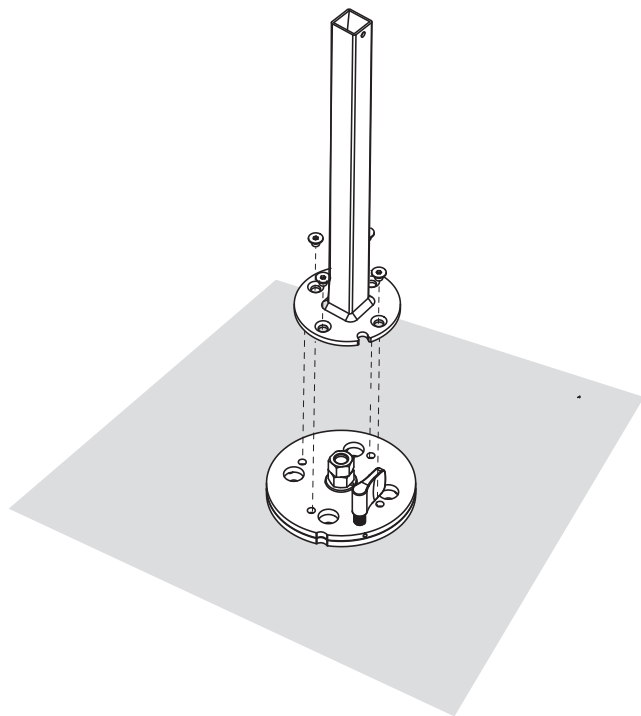
CONCRETE ANCHOR INSTALLATION



8

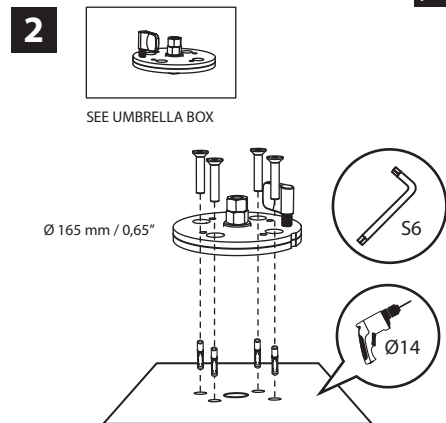
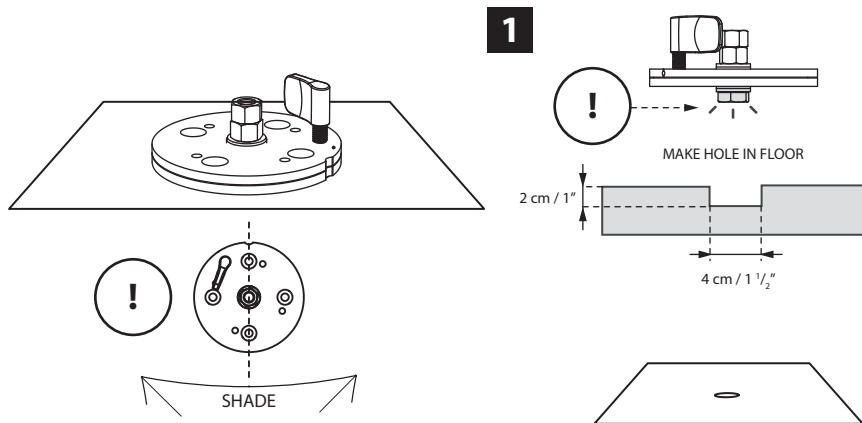


SEE UMBRELLA BOX

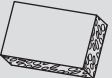


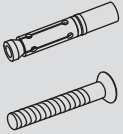
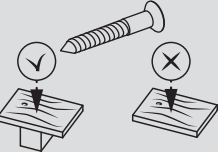
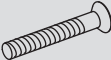


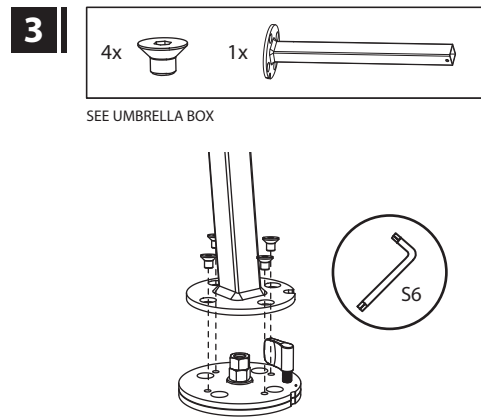
GROUND MOUNTING

A. STANDARD OPTION



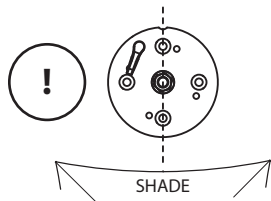
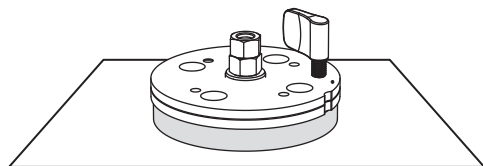
Not included - Niet inbegrepen - Pas inclus
Nicht inbegriffen - No incluido - Non incluso

 <p>CONCRETE</p>	 <p>WOOD</p>	 <p>METAL</p>
		
<p>example: DIN 7991 M10</p>	<p>example: DIN 7997 Ø8 mm</p>	<p>example: DIN 7991 M10</p>



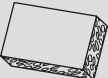


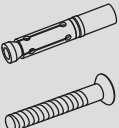
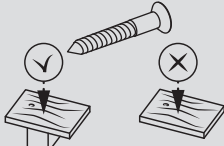
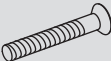
GROUND MOUNTING

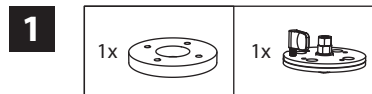
B. OPTIONAL: WITH SPACER PLATE



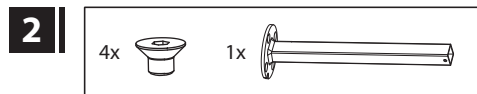
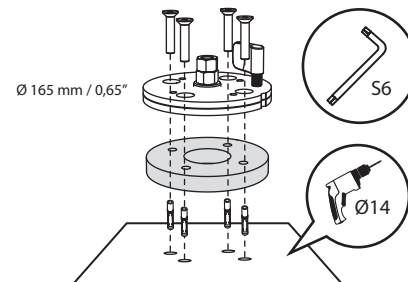
MACOM001

Not included - Niet inbegrepen - Pas inclus
Nicht inbegriffen - No incluido - Non incluso

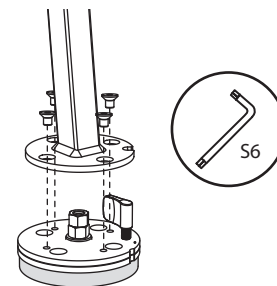
 <p>CONCRETE</p>	 <p>WOOD</p>	 <p>METAL</p>
		
<p>example: DIN 7991 M10</p>	<p>example: DIN 7997 Ø8 mm</p>	<p>example: DIN 7991 M10</p>



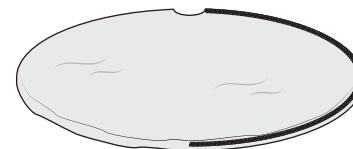
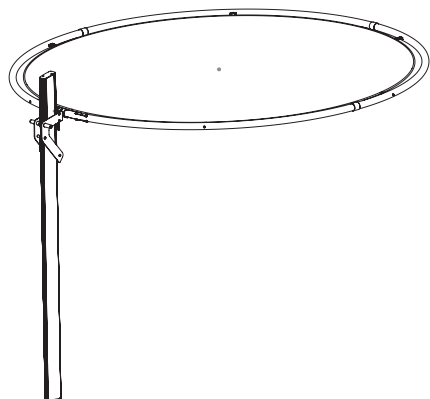
SEE UMBRELLA BOX



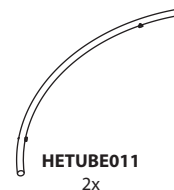
SEE UMBRELLA BOX



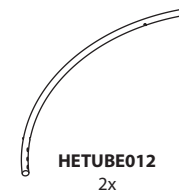
ECLIPSUM UX INSTALLATION



MAPROECON2022



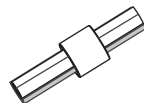
HETUBE011
2x



HETUBE012
2x



ECLIPSUMCOVER-N*



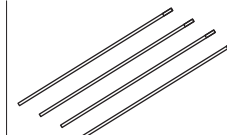
HECONNECTOR
3x



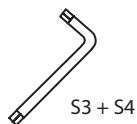
MABOLI0360
12x



UM-ROTATIONDISC160

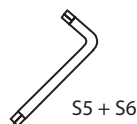


HECOME007W
4x



MAKEY00030
MAKEY00040

S3 + S4



MAKEY00050
MAKEY00060

S5 + S6



MAPLAAU140



MACOME2022

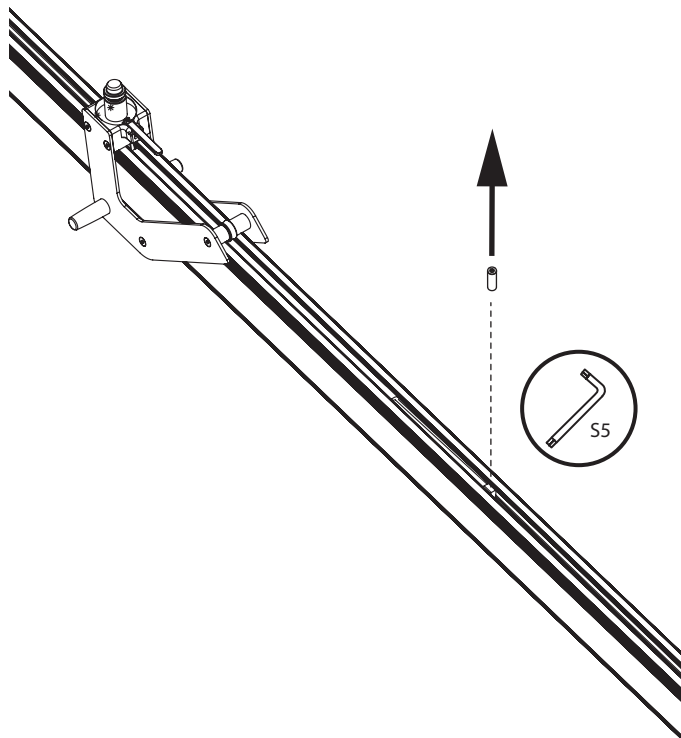


UMFIXS140G88

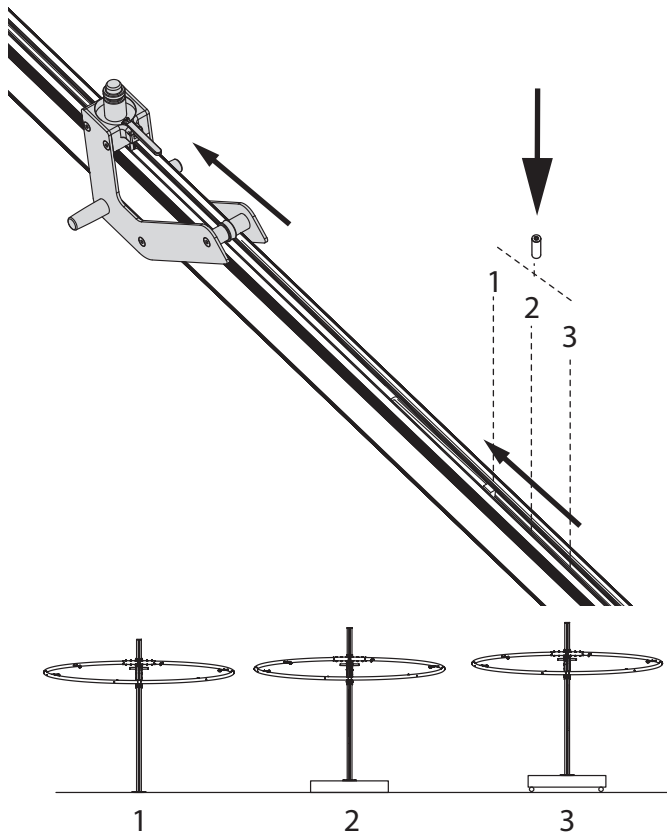
ECLIPSUM INSTALLATION



1' OPTIONAL



1'' OPTIONAL



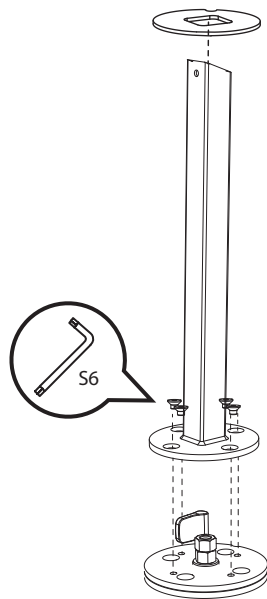
ECLIPSUM INSTALLATION



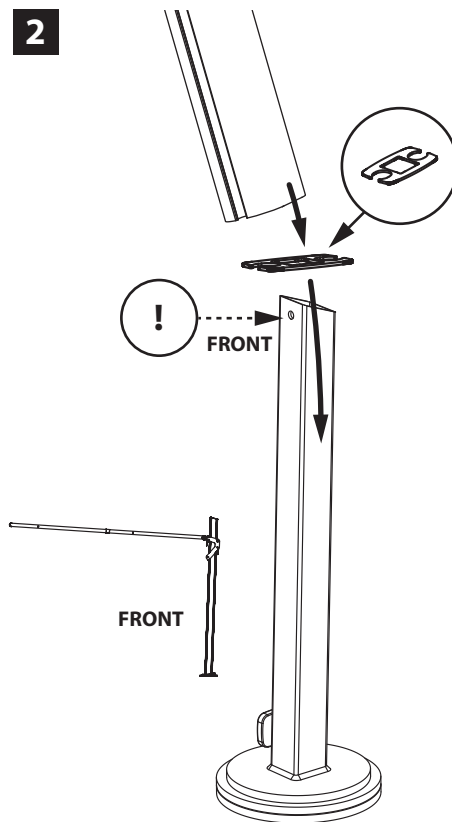
1



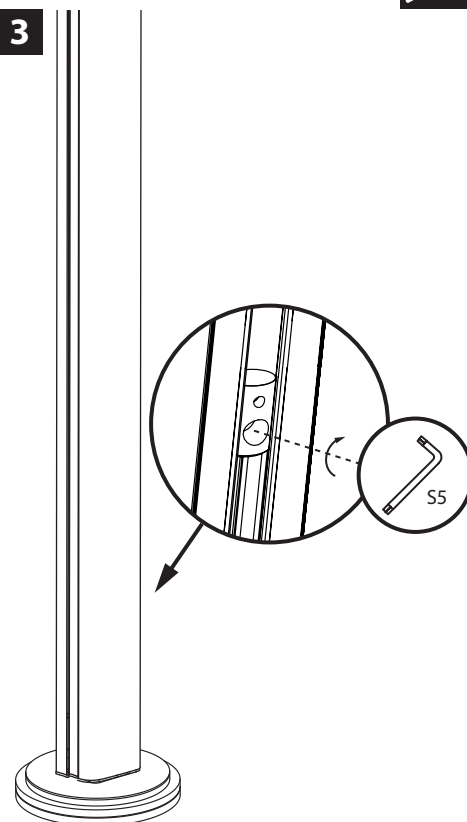
UMBROSA.COM



2

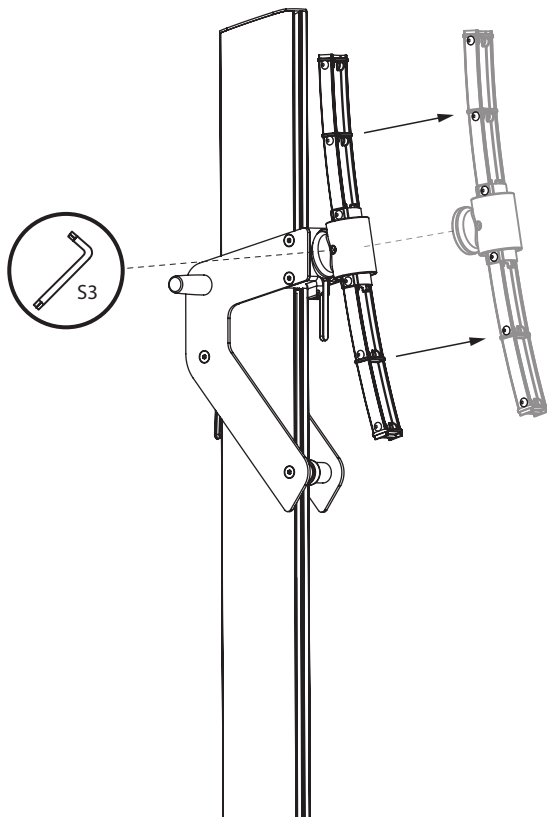


3

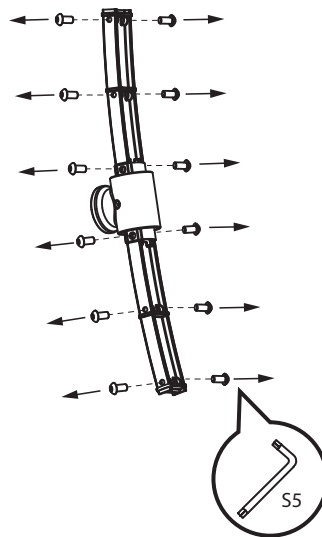




4



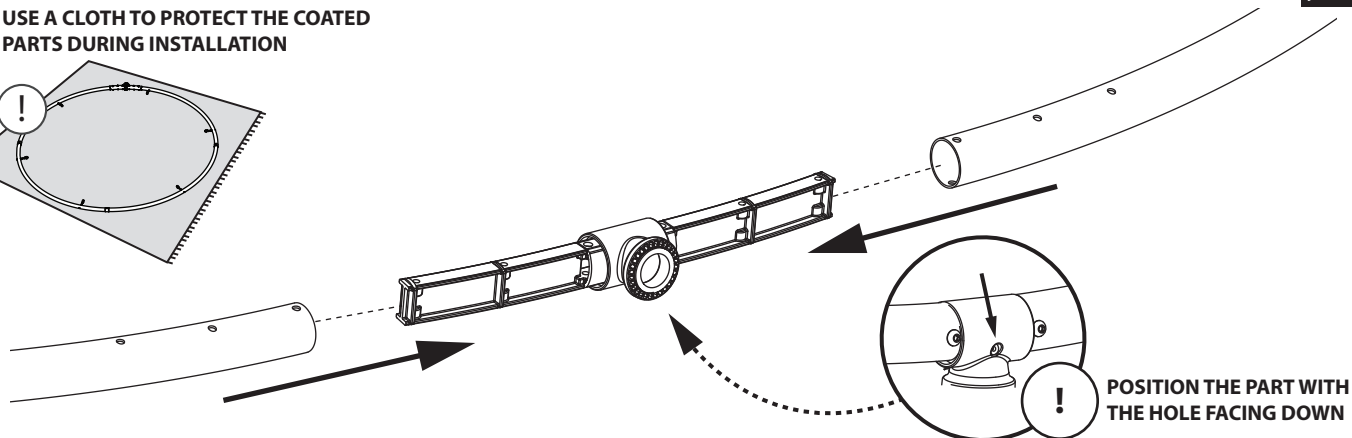
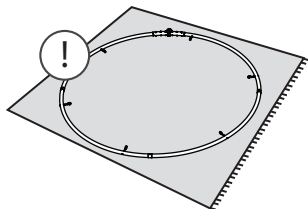
5




ECLIPSUM INSTALLATION



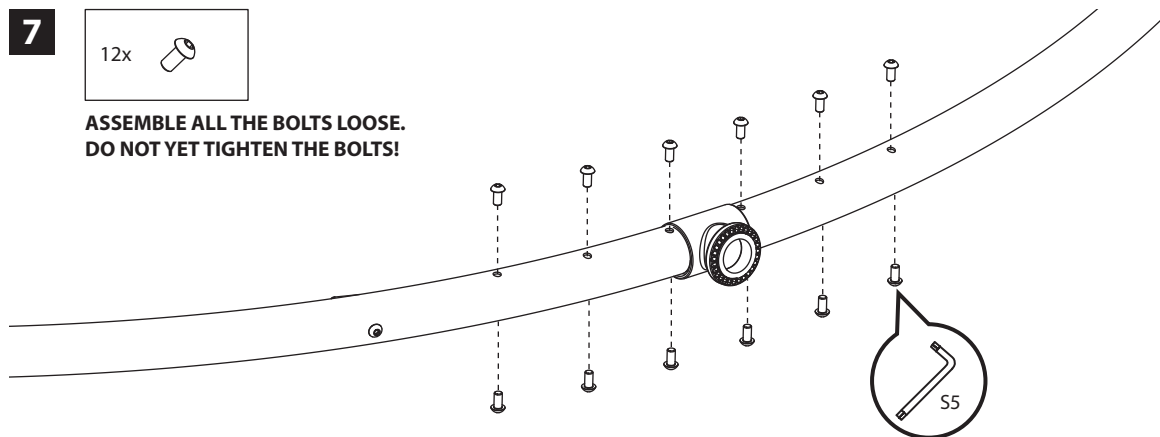
- 6** USE A CLOTH TO PROTECT THE COATED PARTS DURING INSTALLATION



POSITION THE PART WITH THE HOLE FACING DOWN

- 7**  12x

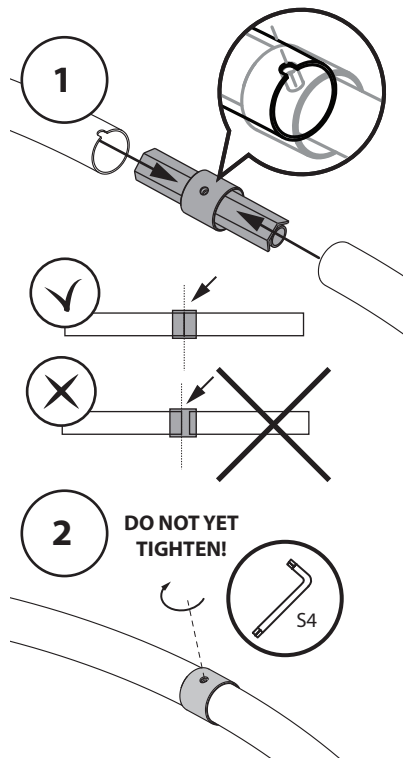
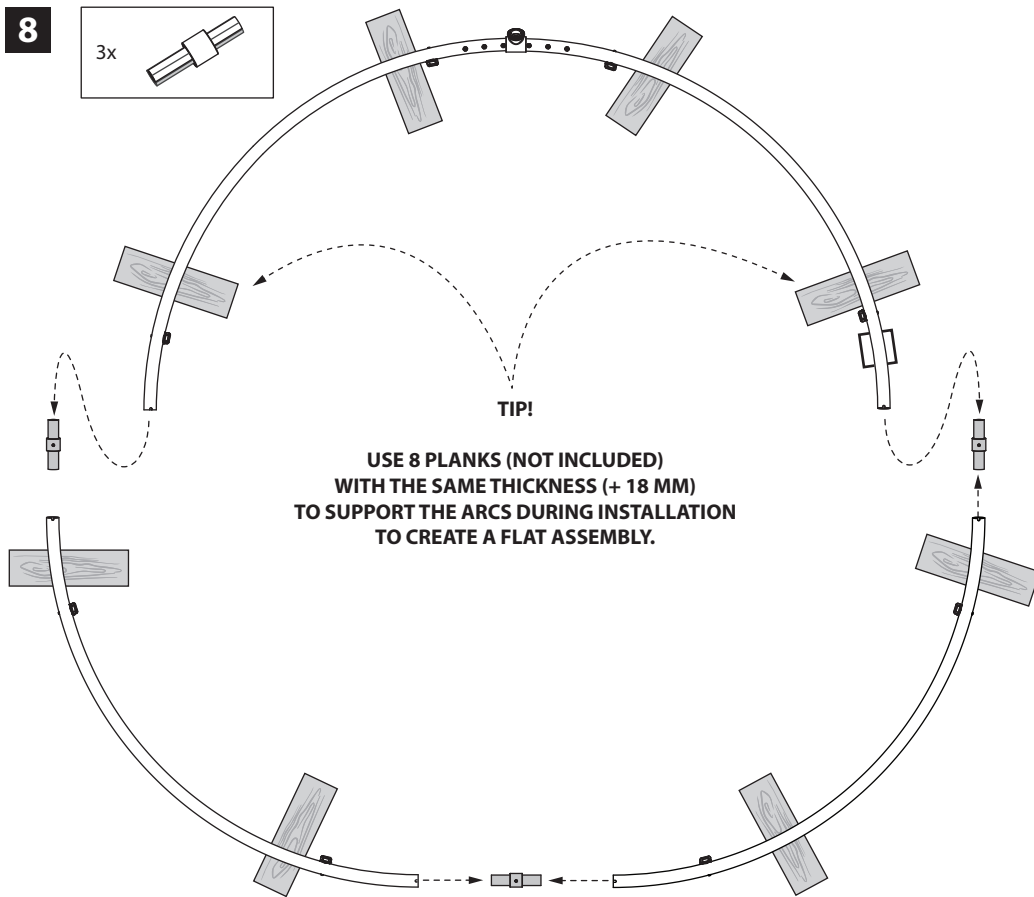
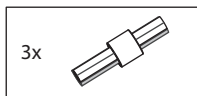
**ASSEMBLE ALL THE BOLTS LOOSE.
DO NOT YET TIGHTEN THE BOLTS!**



ECLIPSUM INSTALLATION



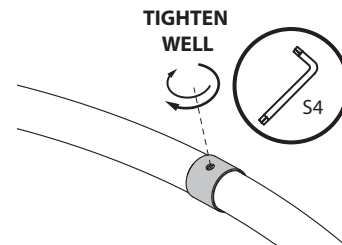
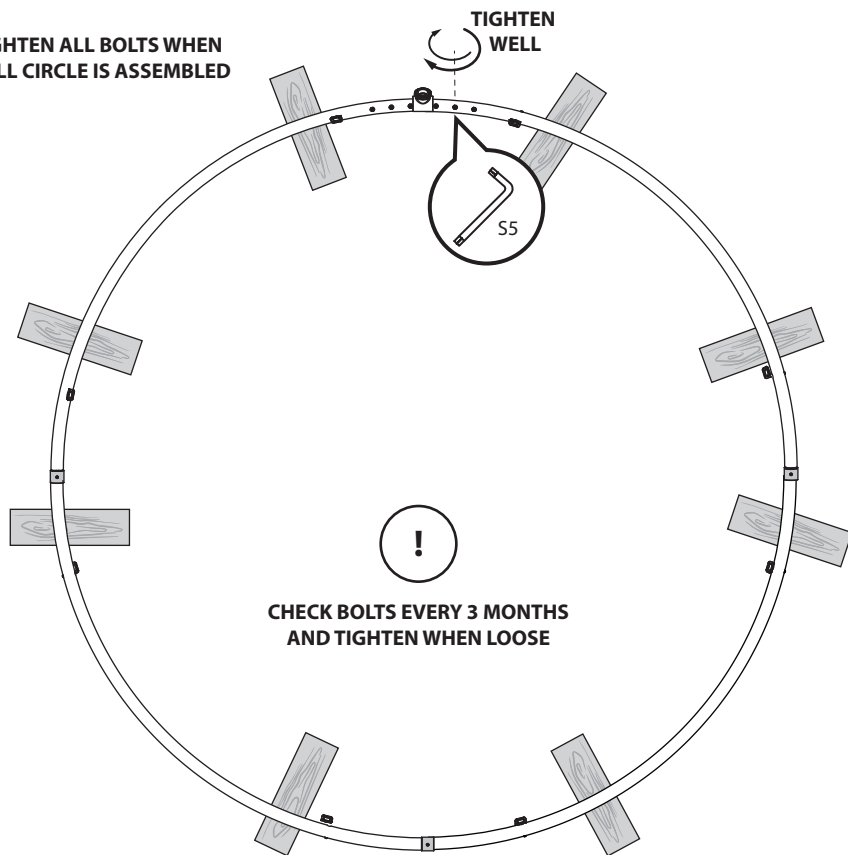
8



ECLIPSUM INSTALLATION

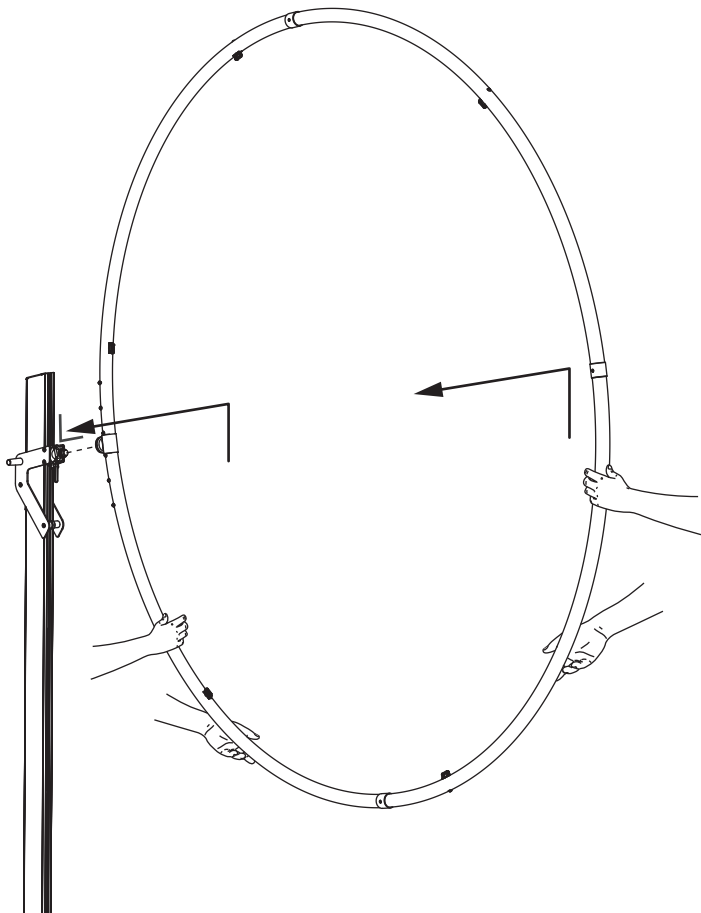


9 TIGHTEN ALL BOLTS WHEN FULL CIRCLE IS ASSEMBLED

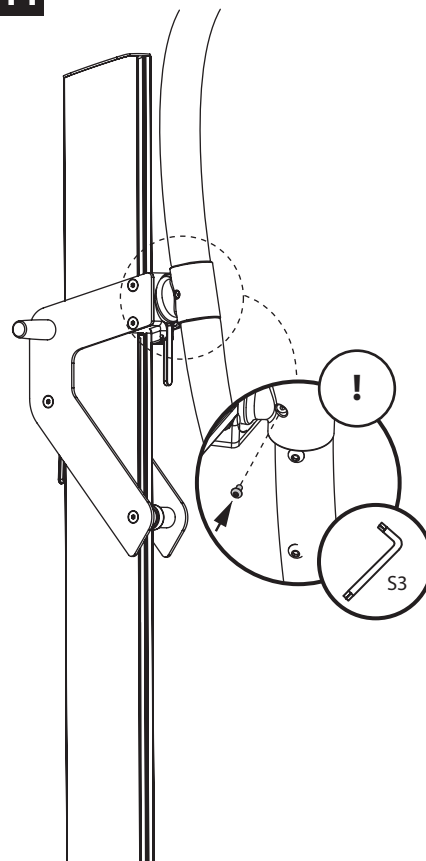


ECLIPSUM INSTALLATION

10

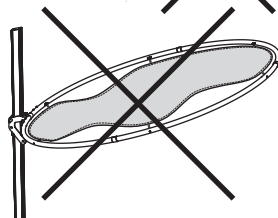
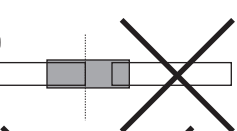
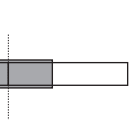
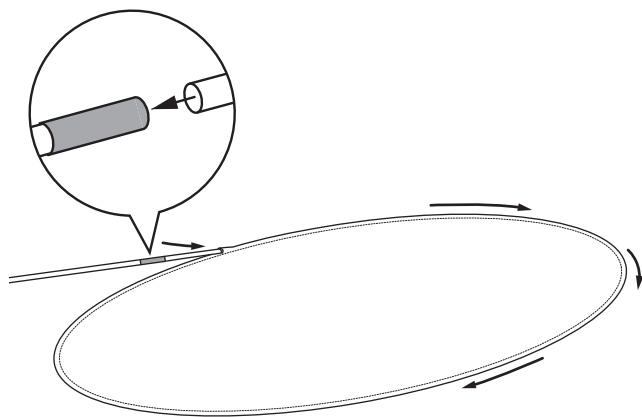


11

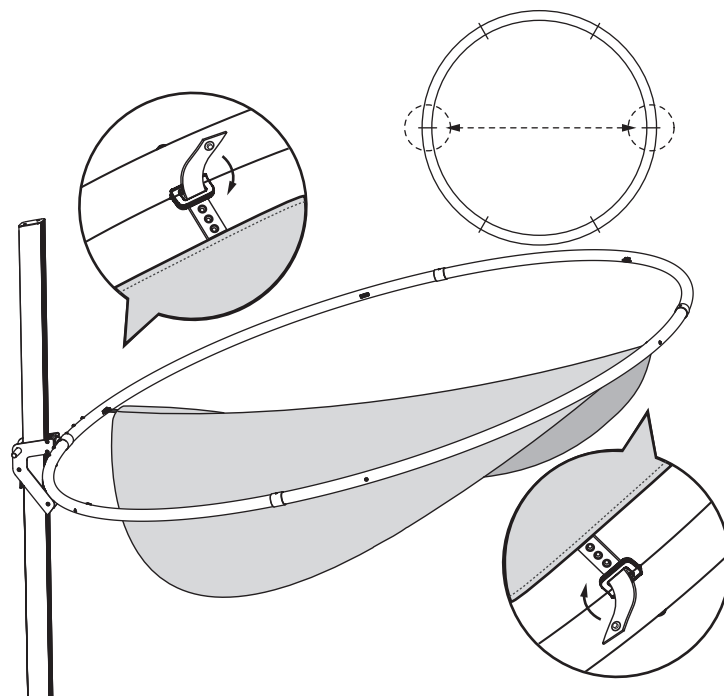


ECLIPSUM INSTALLATION

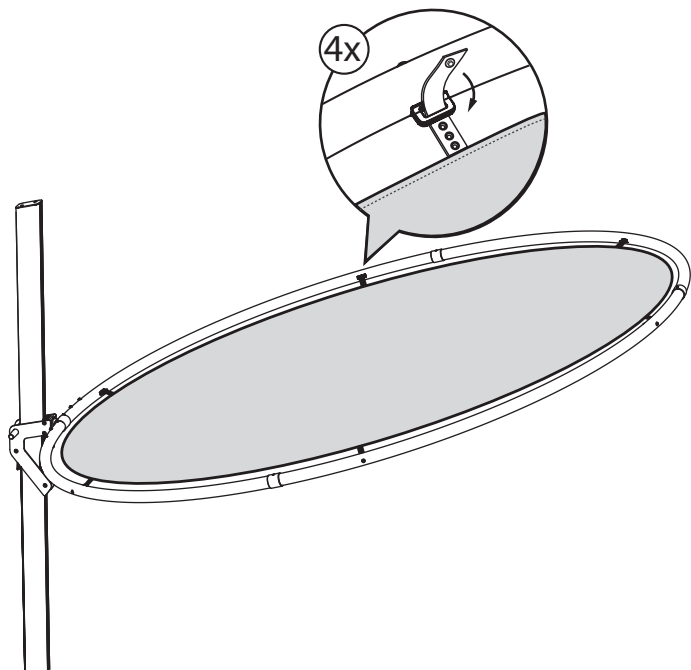
12



13



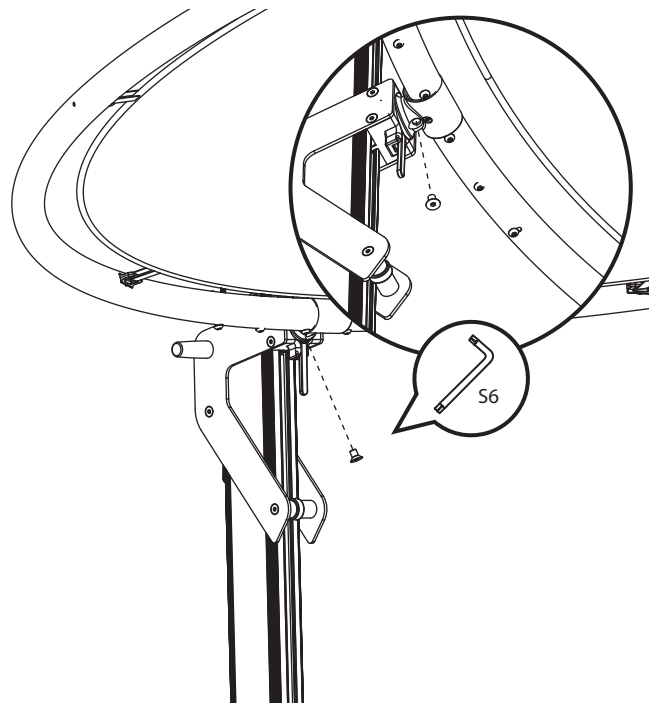
14



15



OPTIONAL: FIX THE ROTATION OF THE CIRCLE FOR HIGHER WIND RESISTANCE. SEE WIND SPEC SHEET FOR MORE DETAILS.



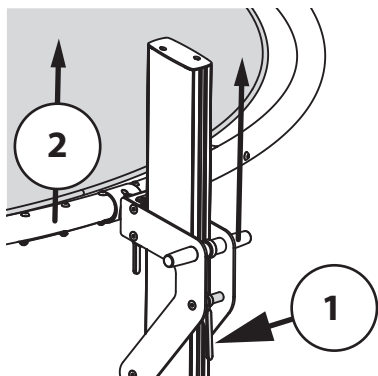
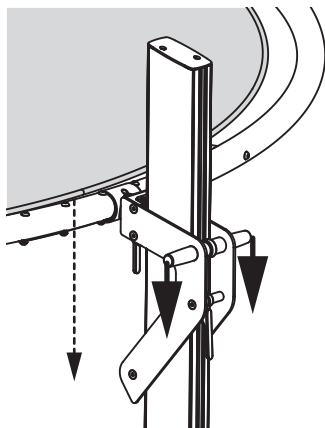
ECLIPSUM USER INSTRUCTIONS



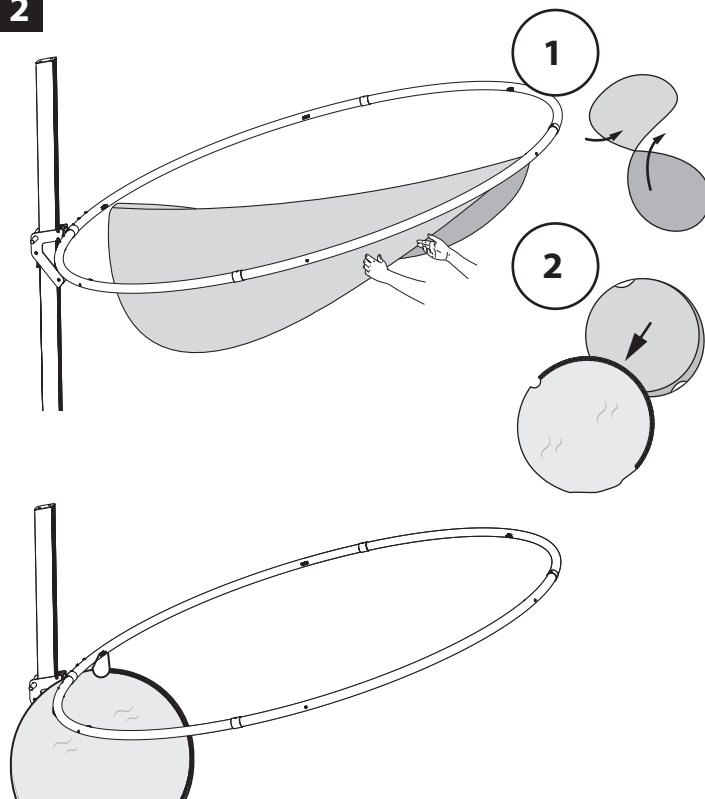
1



UMBROSA.COM



2



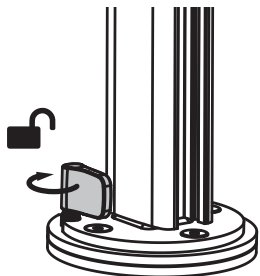
CAUTION: Do not use tilt function during winds.
Doing so may cause damage to your umbrella. Canopy can only be closed safely when it is not tilted.

CAUTION: Never force the ribs.

If you experience any resistance, make sure all ribs are freed manually to facilitate opening.

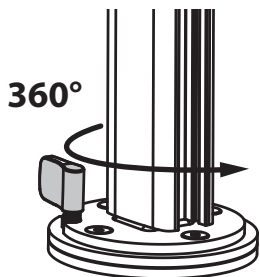


3



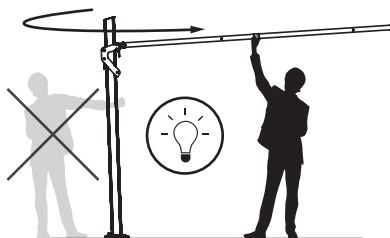
MAKE SURE TO UNLOCK THE
TURNTABLE BEFORE USE.

4

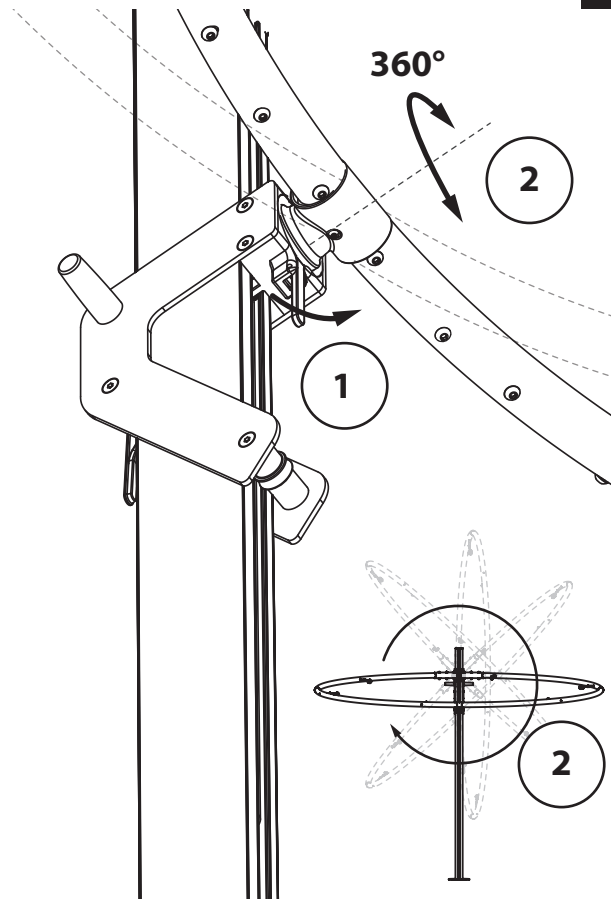


THE TURNTABLE MAY FEEL SLIGHTLY
STIFF DURING FIRST USE OR AFTER A
LONG PERIOD OF INACTIVITY.

IT IS SAFE TO APPLY FIRM PRESSURE
TO THE CORNER OF THE PARASOL TO
INITIATE MOVEMENT.



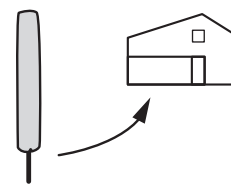
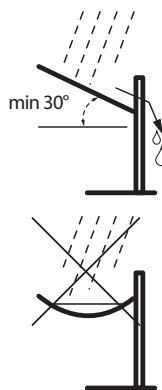
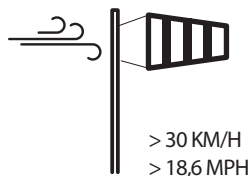
5



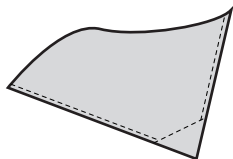
CAUTION: Do not use rotating function during winds. Doing so may cause damage to your umbrella.

CAUTION: Do not use tilt function during winds. Doing so may cause damage to your umbrella. Canopy can only be closed safely when it is not tilted.

TIPS



MAINTENANCE



ENG [Maintenance instructions on website](#)
NL [Onderhoudsinstructies op webpagina](#)
FR [Nettoyage et guide d'entretien sur le site web](#)
DE [Pflegehinweise auf der Webseite](#)
ES [Instrucciones de mantenimiento en el sitio web](#)
IT [Istruzioni di mantenimento sul sito](#)



- ENG** In order to **prevent stainless steel from rusting**, it is necessary to treat it frequently and preventatively. Umbrosa recommends cleaning and protecting the surface regularly. Cleaning can easily be done using standard dishwashing detergents. Afterwards, a protection layer can be applied onto the dry surface with a silicon spray. In an aggressive environment (maritime climate, chlorine, acid rain, aggressive industrial or urban environment) we recommend to clean the surface more frequently. Rust can be removed using a cloth and polishing paste. These kinds of products can be bought in do-it-yourself shops, but also in car specialty stores that sell several “stainless steel polishers”.
- NL** **Roestvast staal blijft enkel vrij van corrosie**, wanneer deze goed en preventief wordt behandeld. Umbrosa raadt bijgevolg aan om regelmatig het oppervlak te reinigen en beschermen. Reinigen kan eenvoudig met warm water met afwasmiddel zoals “Dreft”. Nadien brengt u op het droge oppervlakte een bescherm laag aan met bijvoorbeeld Silicone spray. In een agressieve omgeving (maritiem klimaat, chloor, zure regen, agressieve industriële of stedelijke omgeving), dient men de frequentie van dit preventief onderhoud op te drijven. Wanneer lichte roest zichtbaar is, dient deze te worden verwijderd met doek en speciale polierpasta. Dergelijke producten zijn te koop in Doe-het-Zelf zaken, alsook in autospecialzaken waar men verschillende “stainless steel polishers” verkoopt.
- FR** Pour **éviter que L’acier inoxydable corrode**, c’est nécessaire de traiter la surface régulièrement. Umbrosa conseille de nettoyer et protéger régulièrement la surface en utilisant l’eau chaude et un peu de détergent. Après, sur la surface sèche, vous pouvez appliquer une couche de protection avec, par exemple, un spray de Silicone. Surtout dans un environnement agressif (climat maritime, chlore, pluie acide, environnement industriel ou urbaine agressif) nous recommandons de nettoyer fréquemment la surface. Vous pouvez éliminer des éventuelles taches de rouille avec un chiffon et du cirage. Vous pouvez trouver ce type de produits dans des magasins bricolage, mais aussi dans des magasins spécialisés, ou on vend plusieurs “stainless steel polishers”.
- DE** **Edelstahl bleibt nur frei von Korrosion**, wenn dieser gut und Präventiv behandelt wird. Umbrosa empfiehlt regelmäßig die Oberfläche zu reinigen und zu schützen. Reinigung kann problemlos mit warmem Wasser mit Seife. Danach bearbeiten Sie die trockene Oberfläche mit einer Schutzschicht z.B. Silikon spray. In einem aggressiven Umfeld (Seeklima, Chlor, saurer Regen, aggressive Industrie- oder städtischen Umwelt) sollte man diese Behandlung häufig machen. Sichtbaren Rost sollte mit Tuch und spezielle Polierwerkzeuge Paste entfernt werden. Solche Produkte findet man in Baumärkten sowie in Auto Läden wo man verschiedene “Edelstahl Polierer verkauft”.
- ES** **Acero inoxidable sólo permanece libre de corrosión**, cuando esta bien y se trata como una medida preventiva. Umbrosa recomienda de limpiar regularmente la superficie para y proteger. Limpieza puede fácilmente con agua tibia con jabón del plato. Luego, lleva sobre la superficie seca con una capa protectora para por ejemplo spray de silicona. En ambientes agresivos (clima marítimo, cloro, lluvia ácida, agresivo ambiente urbano o industrial), la frecuencia de este mantenimiento preventivo para arriba. Cuando el moho visible, se debe retirar con paño y pasta de pulir especial. Estos productos se venden en ferreterías, así como en tiendas de coches donde uno diferentes vende “pulidores de acero inoxidable”.
- IT** Per **prevenire l’arruginirsi dell’acciaio inox**, è necessario curarlo frequentemente e preventivamente. Umbrosa consiglia di pulire e proteggere frequentemente la superficie. E’ possibile pulire l’acciaio inox con aqua calda e detergente. Dopo aver pulito la superficie, la potete proteggere applicando sulla superficie asciutta uno strato protettivo con, per esempio, lo spray al silicone. In un ambiente aggressivo (clima marittimo, cloro, pioggia acida, ambiente aggressivo industriale o urbano) consigliamo di pulire la superficie più spesso. E’ possibile rimuovere possibili macchie di ruggine con uno straccio e un po’ di lucidante. Questi prodotti sono disponibili in negozi fai da te, ma anche in negozi specializzati (come quelli che vendono i prodotti per pulire le macchine) che vendono vari “stainless steel polishers”.

WARRANTY

KEEP THIS AVAILABLE

1 PROOF OF PURCHASE / AANKOOPBEWIJS / PREUVE D'ACHAT /
KAUFBELEG / JUSTIFICANTE DE COMPRA / PROVA D'ACQUISTO

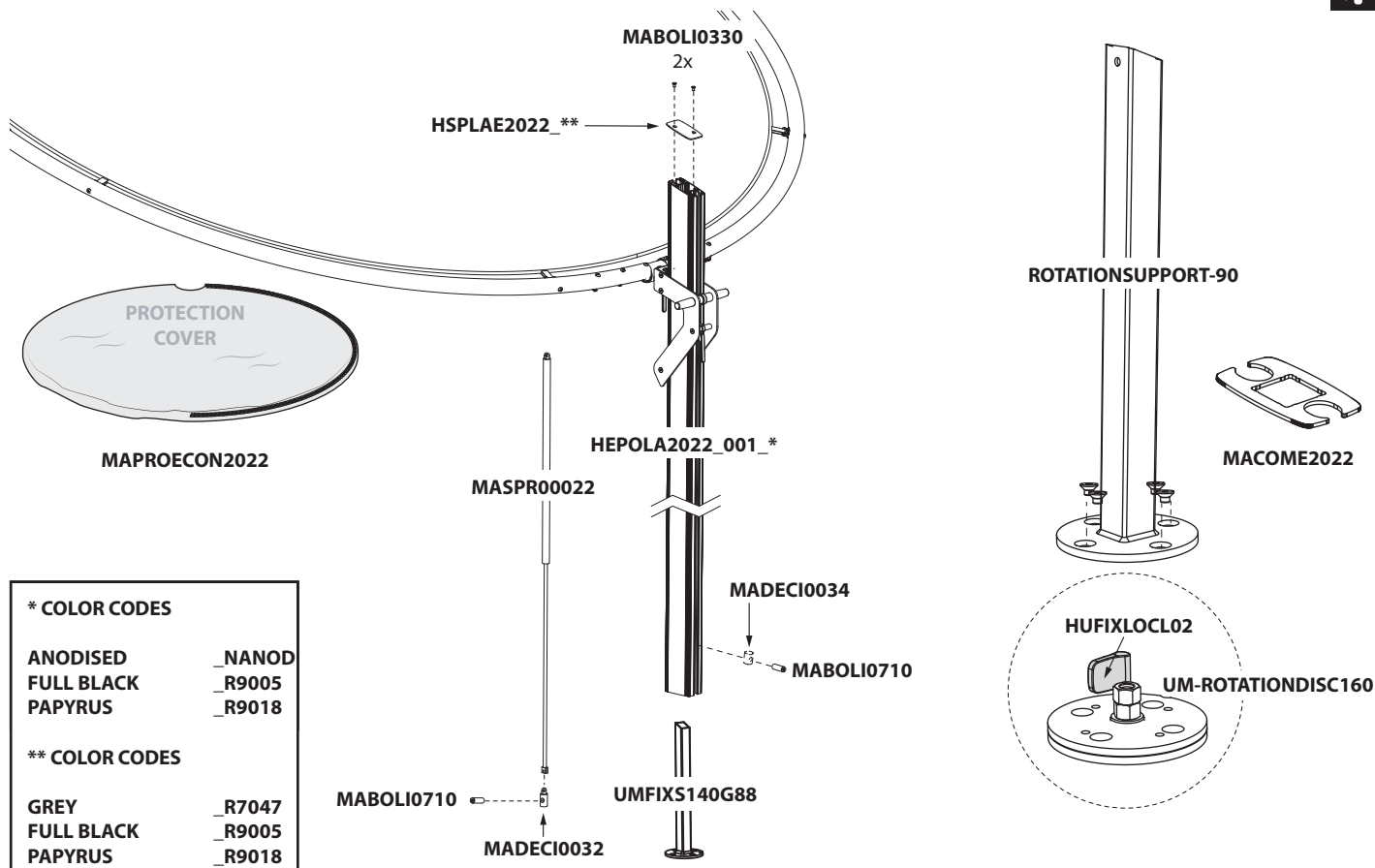
2 SERIAL NUMBER / SERIENUMMER / NUMÉRO DE SÉRIE /
SERIENNUMMER / NÚMERO DE SERIE / NUMERO DI SERIE



ENG [Warranty conditions on website](#)
NL [Garantievoorwaarden op webpagina](#)
FR [Conditions de garantie sur le site Web](#)
DE [Garantiebedingungen auf der Webseite](#)
ES [Condiciones de garantía en el sitio web](#)
IT [Condizioni di garanzia sul sito](#)

SPARE PARTS

ECLIPSUM



* COLOR CODES

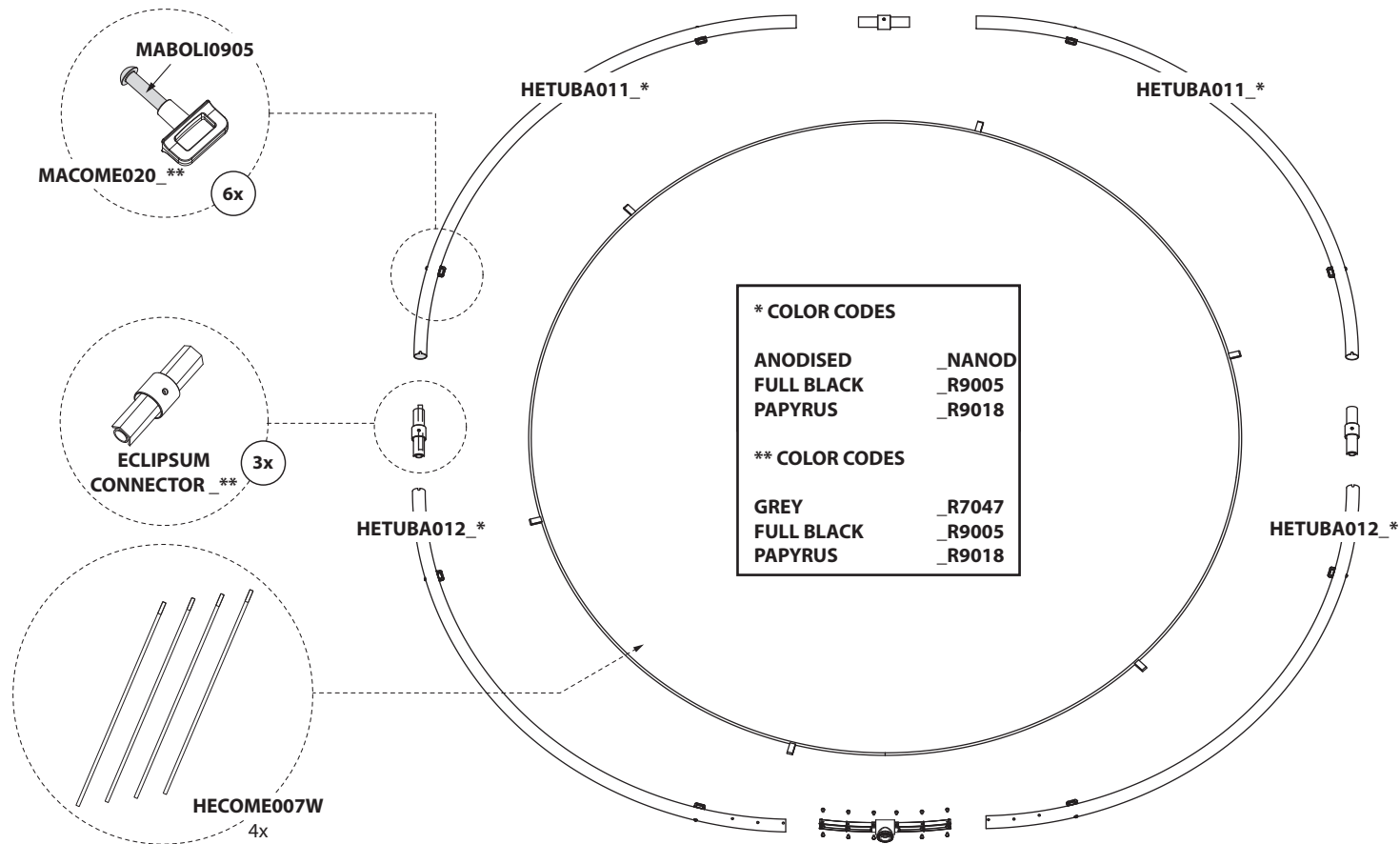
ANODISED NANOD
 FULL BLACK R9005
 PAPYRUS R9018

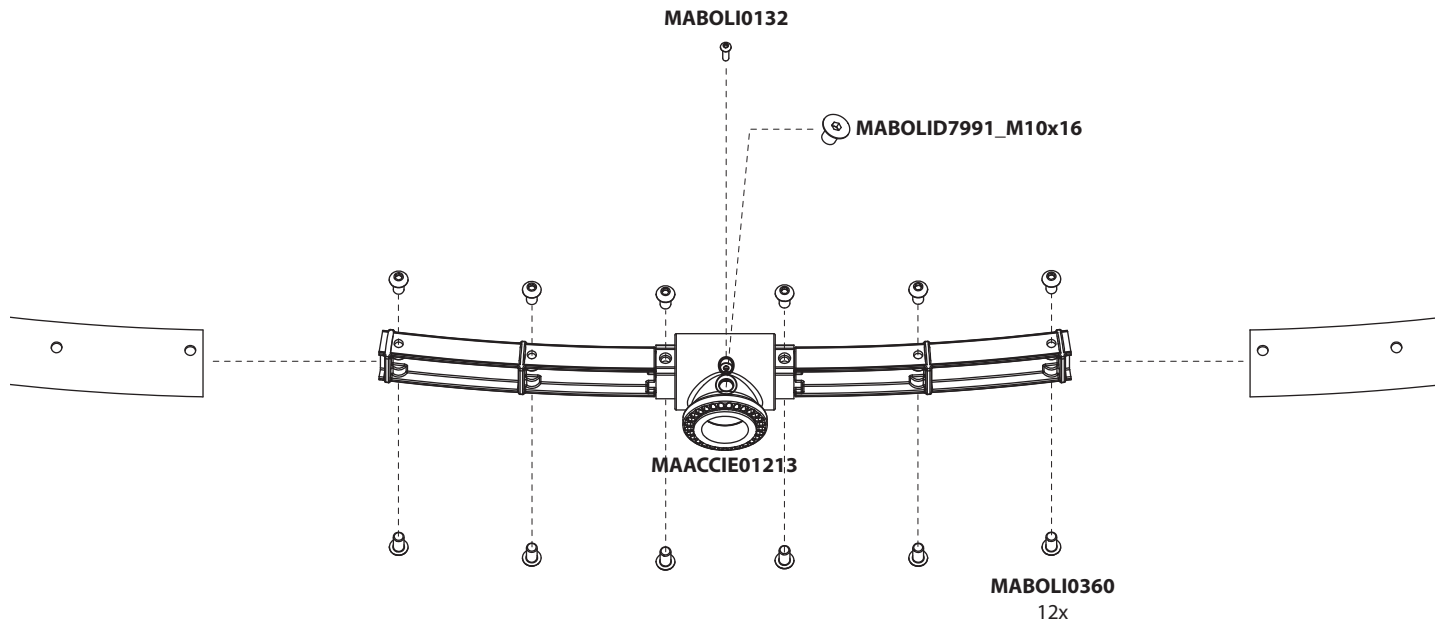
** COLOR CODES

GREY R7047
 FULL BLACK R9005
 PAPYRUS R9018

SPARE PARTS

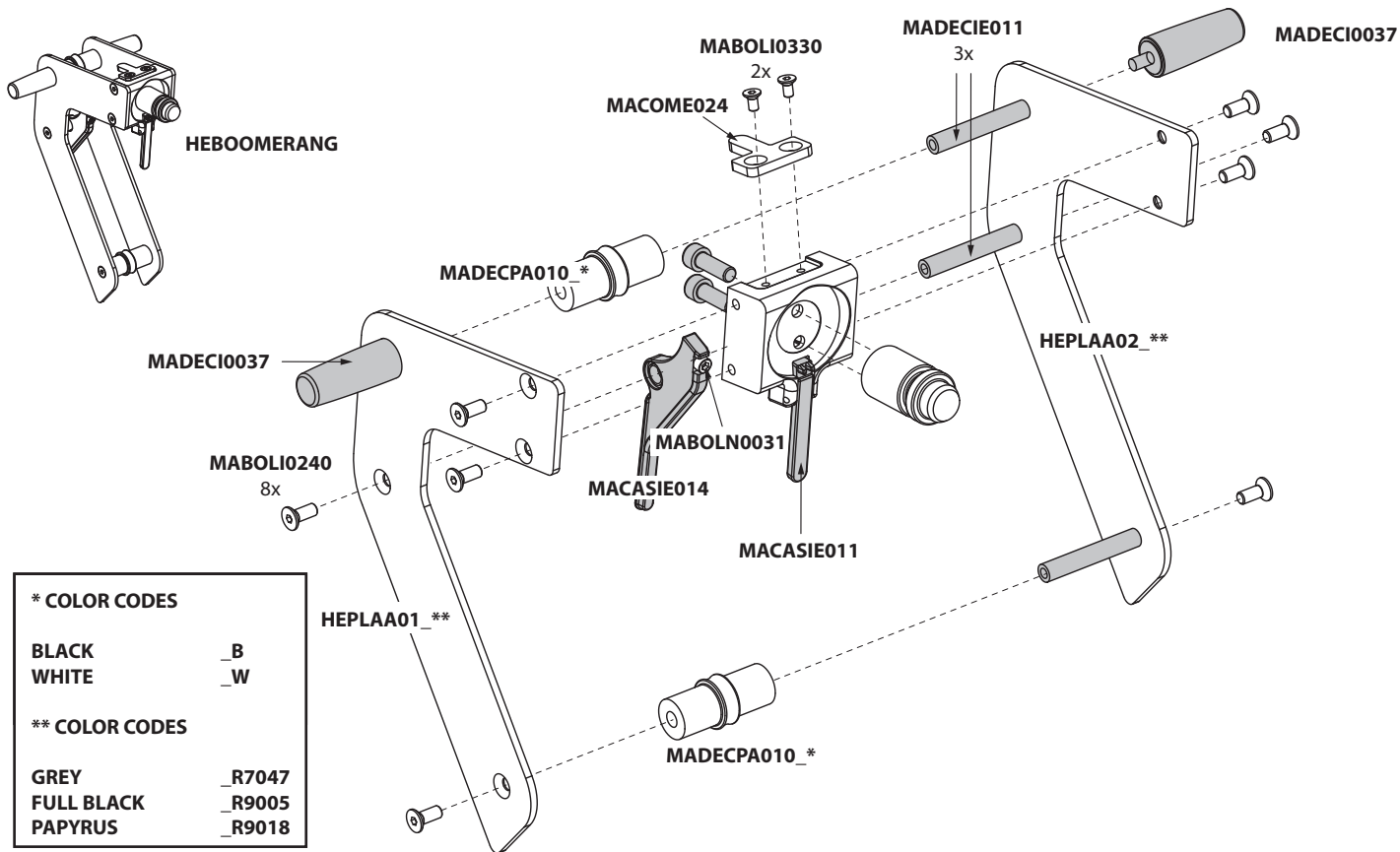
ECLIPSUM





SPARE PARTS

ECLIPSUM



* COLOR CODES

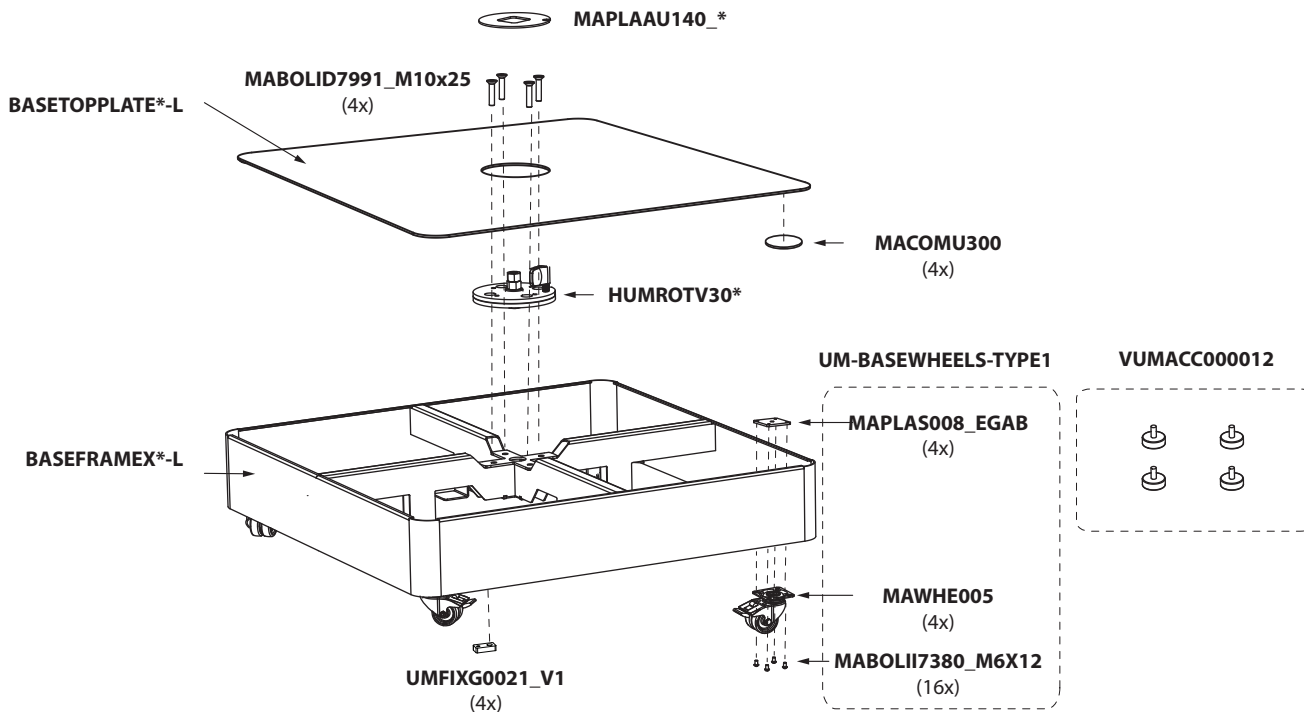
BLACK _B
 WHITE _W

** COLOR CODES

GREY _R7047
 FULL BLACK _R9005
 PAPYRUS _R9018

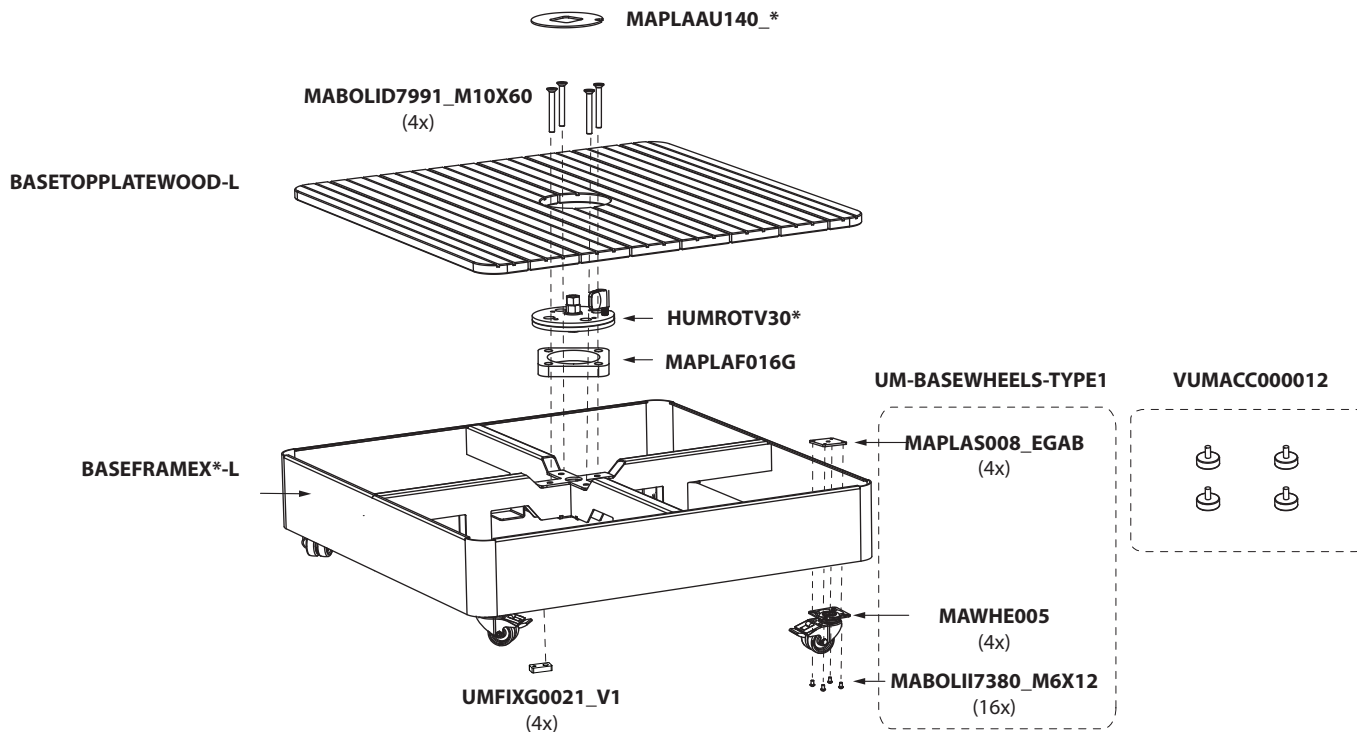
SPARE PARTS

PX TILE BASE



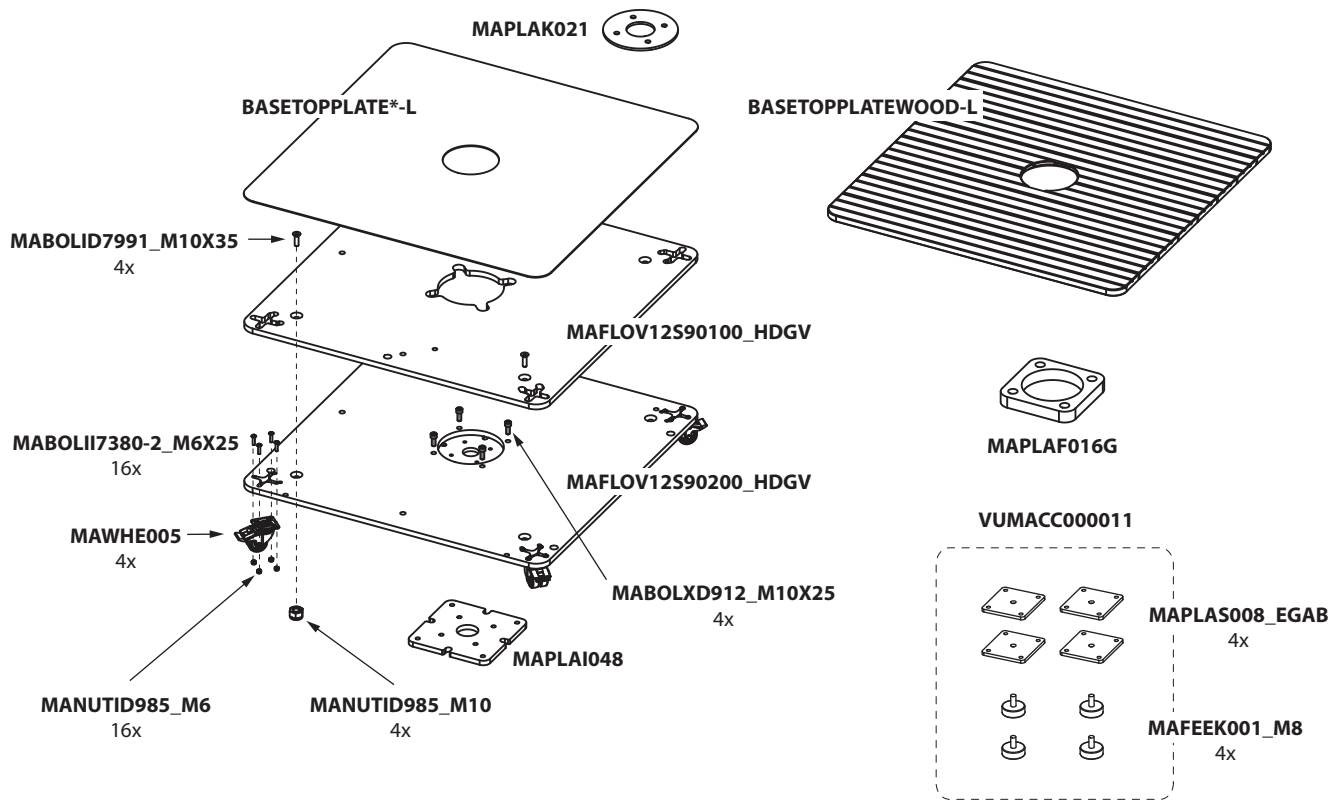
SPARE PARTS

PX TILE BASE WITH WOODEN TOP PLATE



SPARE PARTS

LARGE FLAT BASE



UMBROSA

UNIQUE SHADE DESIGN

Umbrosa

Beversesteenweg 565 B, 8800 Roeselare, Belgium.

T: +32 51 30.22.60 | F: +32 51 30.22.62 | E: info@umbrosa.com | www.umbrosa.com

Umbrosa Inc

530 7th Avenue, Suite 902, New York, NY 10018

T: (855) 285-6595 | E: info@umbrosa.com | www.umbrosa.com

The content of this document, in particular the mentioned models, is protected by copyrights and/or design rights. The present document and its content is communicated to you for information purposes only. Any partial or total reproduction or any other use without our prior written permission is strictly prohibited. This technical sheet remains subject to possible changes. Of course we do our best to eliminate all mistakes, but Umbrosa is not responsible for the errors in the documentation of products. All measurements are approximate and are provided for informational purposes only.

VERSION 20260108