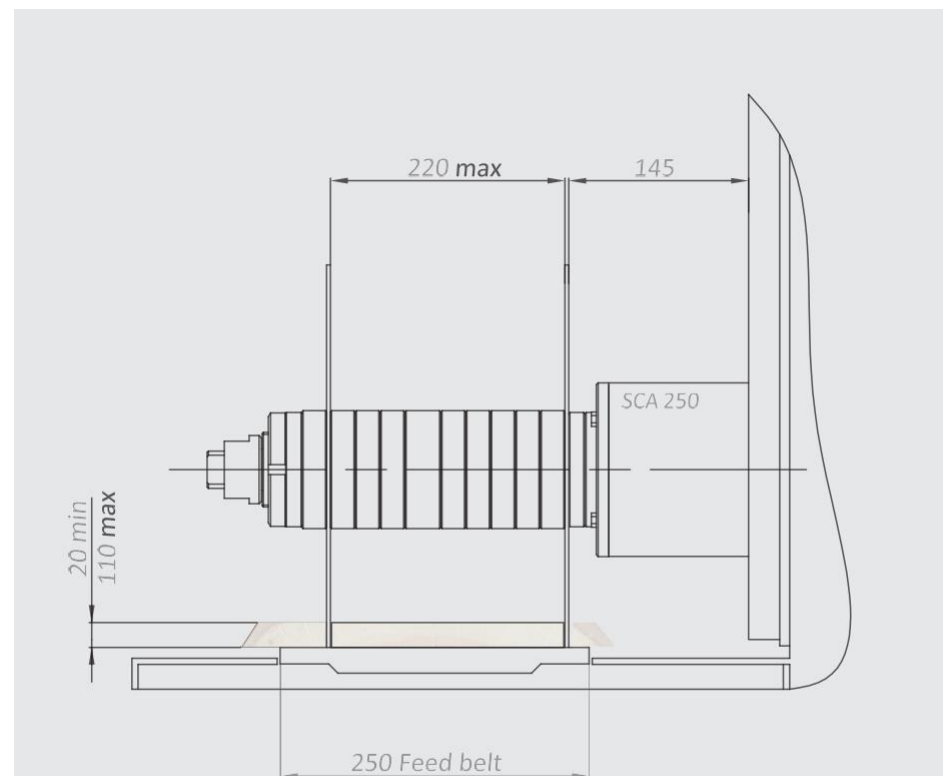


SCA 220 T250

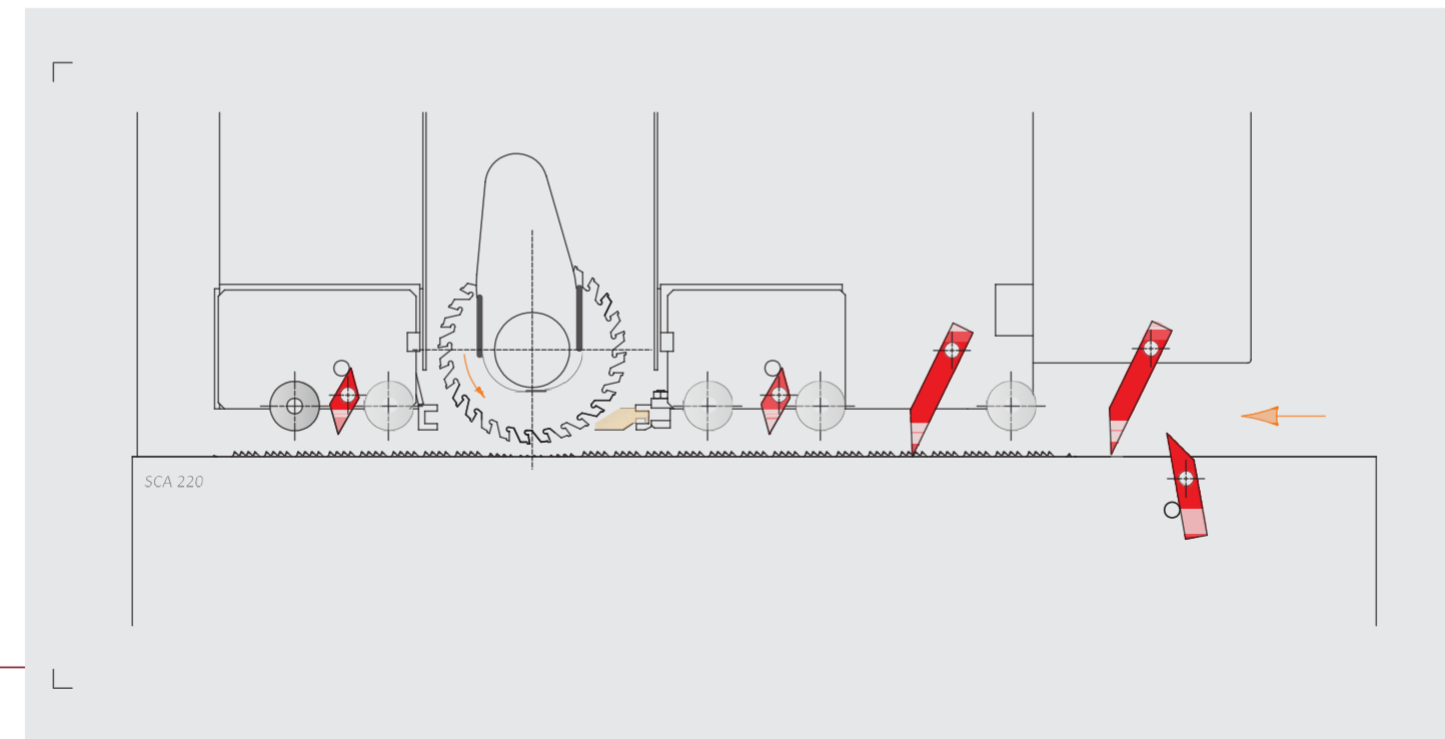


CUTTING DRAWING

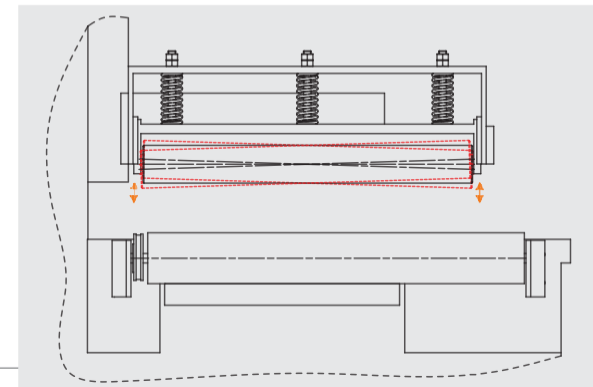


ANTI KICK BACK DRAWING

Top rollers group raised automatically, with 5 independent hold-down rolls and a long wooden shoe placed between the blades. The splinterproof system consists of steel fingers distributed on 4 top rows (two of which acting as splinterproof and the other two as anti-kickback) and one bottom row.

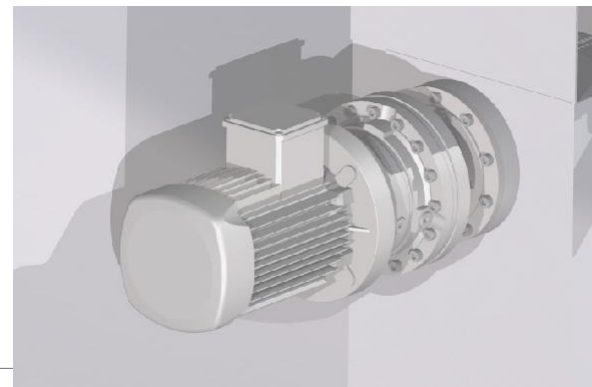


PRESSURE ROLLER



The rollers are guided at the side and they exert pressure over the entire width of the plank through two springs. This application also guarantees good holding of the planks which become curved after drying.

FEEDING TRACK MOTOR



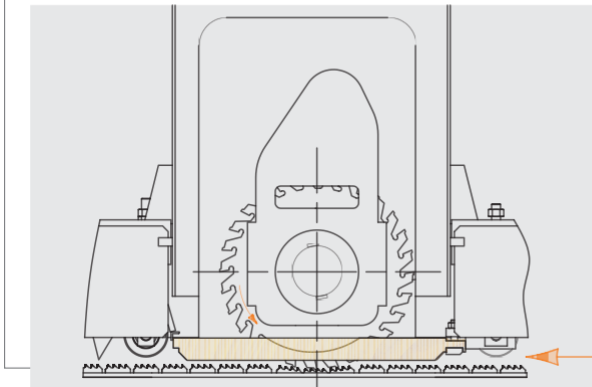
Feeding track is powered by a geared motor controlled by an inverter. Thanks to a potentiometer the operator can vary the feeding track speed checking its value on the graduated scale printed on the control panel.

OIL PUMP LUBRICATION



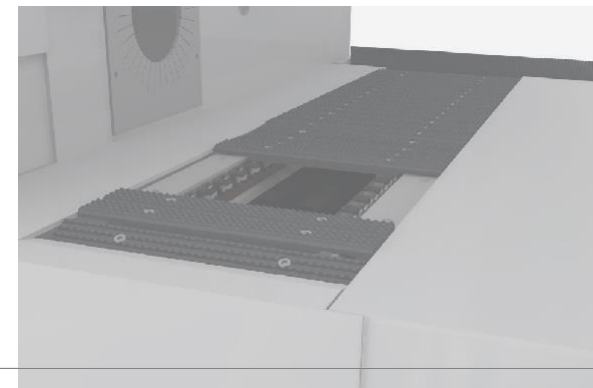
Machine lubrication is automatic. The oil distribution system supplies the single lubrication points in differential way at a pressure of 10 bar, thus ensuring maximum efficiency also against risk of clogging. The oil flow rate is with a fully electronic regulation and has several setting.

LONG PRESSURE SHOE



The long wooden shoe allows perfect holding of the plank, even if warped in the blade compartment, thus preventing the blades from removing or splitting cracked or thin planks.

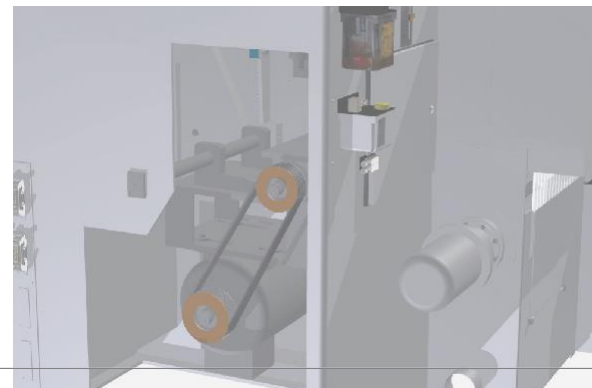
FEEDING TRACK CHAIN



The feed belt runs along 2 hardened steel guides. The cast iron pad is fastened on a chain thus offering the following advantages:

- no stoppings feeding track
- possibility of exerting high pressures on the plank without risk of overheating and wear on the guides (the chain turns on the guides)
- practical and low cost maintenance enhance its performance.

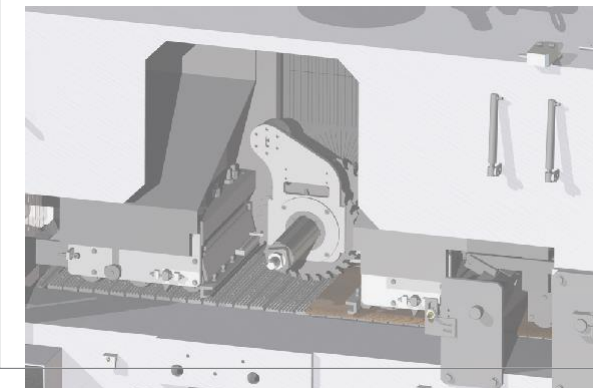
MOTOR POWER TRANSMISSION



The timing belt drive guarantees high performance and reliability:

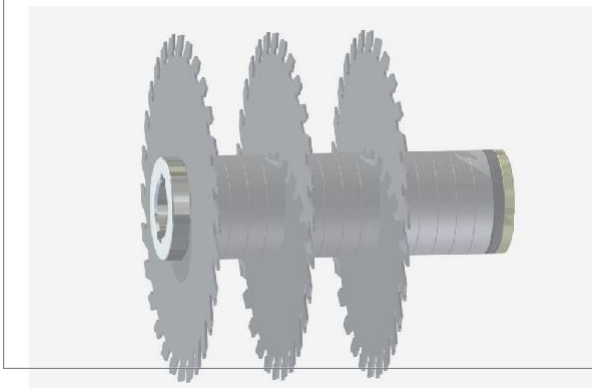
- drive flexibility (no mechanical failures)
- no possibility of slippage on the pulley with subsequent overheating (the belt teeth ensure optimum winding on the pulley).

MAIN SPINDLE



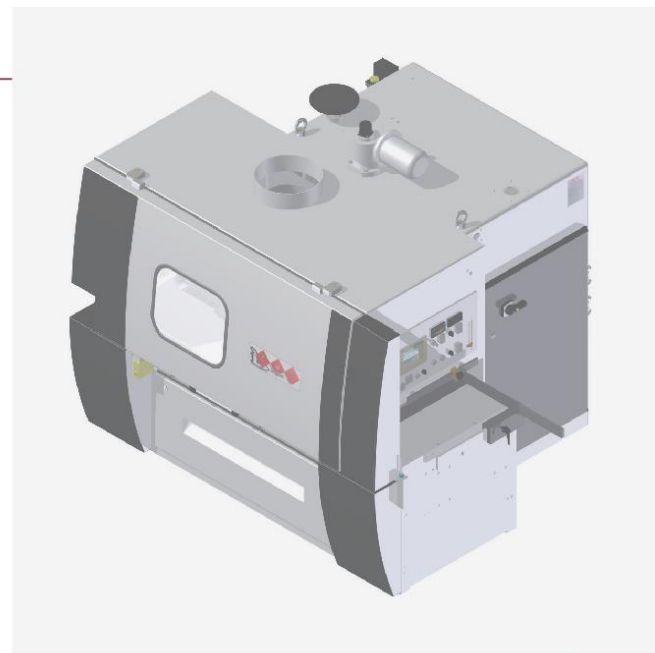
The surface treatment of the spindle ensures long working life.

FIXED SLEEVE

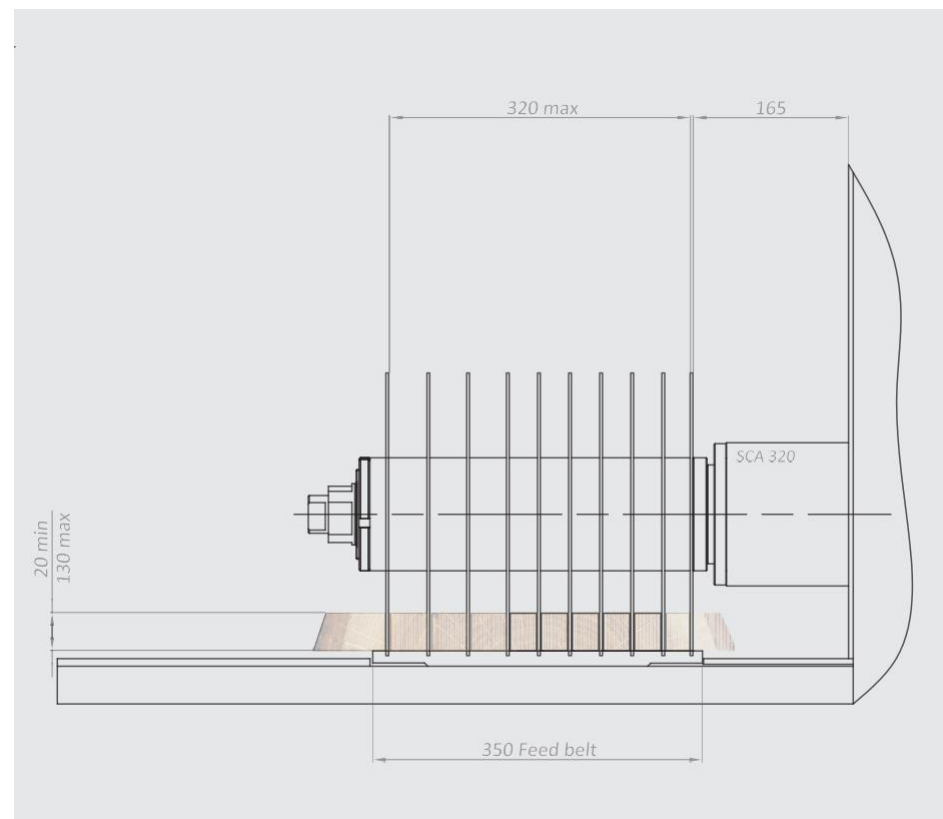


The in-house quality control and engineering ensure perfect balancing of the blade sleeve, therefore silent running also at maximum speed.

SCA 320 T350

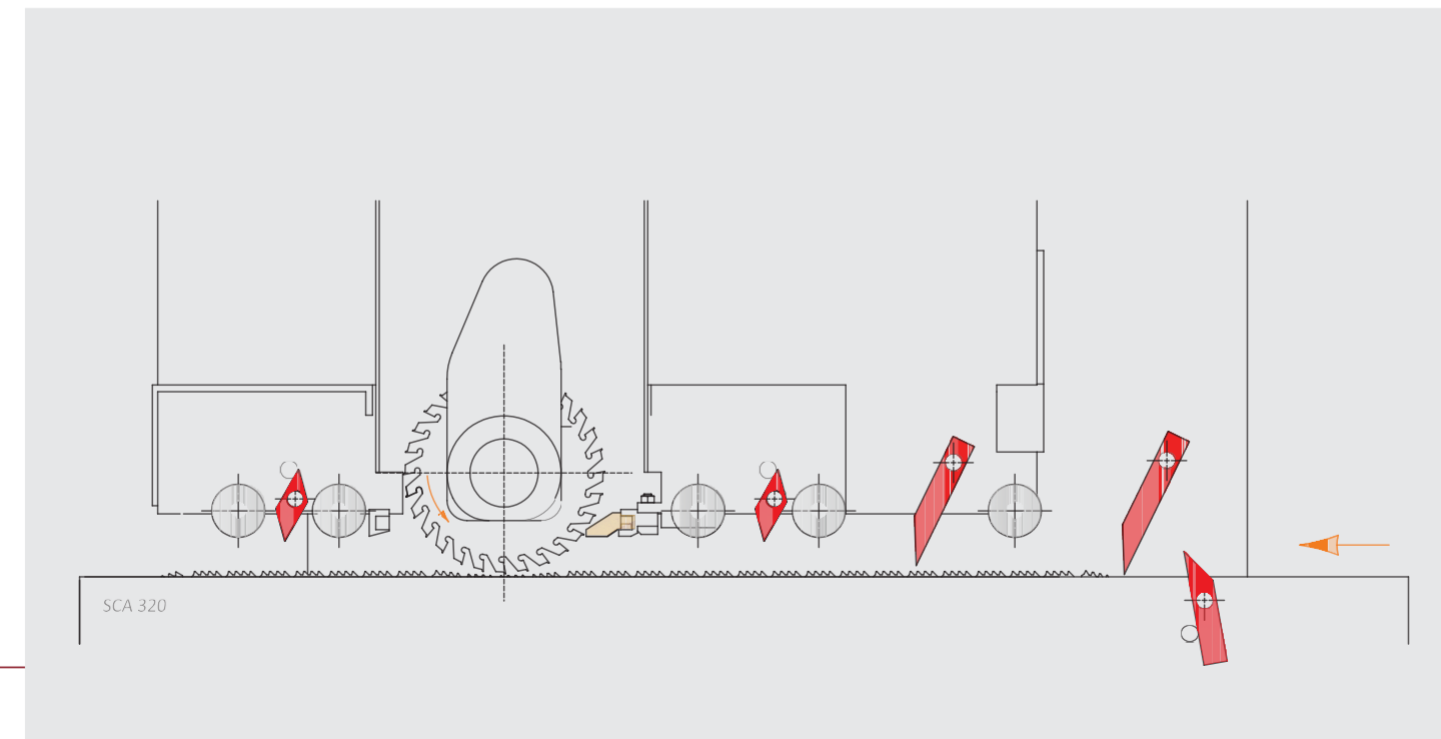


CUTTING DRAWING

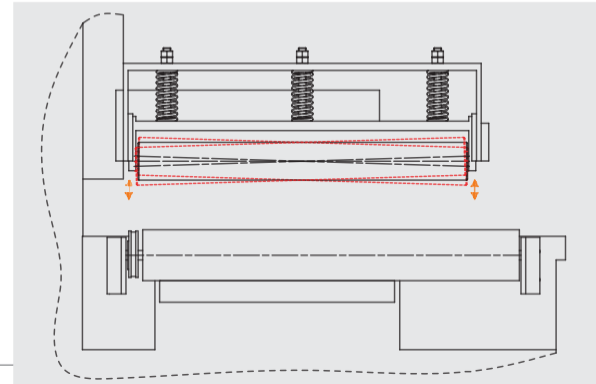


ANTI KICK BACK DRAWING

Top rollers group raised automatically, with 5 independent hold-down rolls and a long wooden shoe placed between the blades. The splinterproof system consists of steel fingers distributed on 4 top rows (two of which acting as splinterproof and the other two as anti-kickback) and one bottom row.

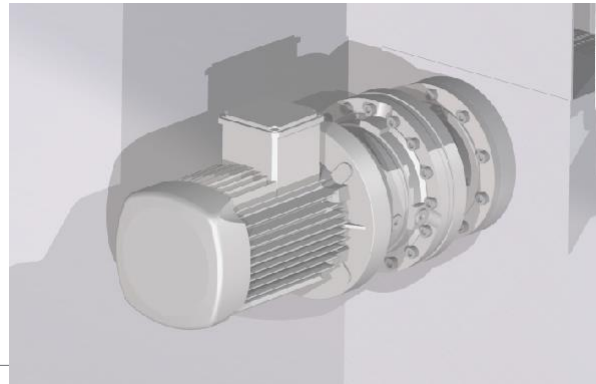


PRESSURE ROLLER



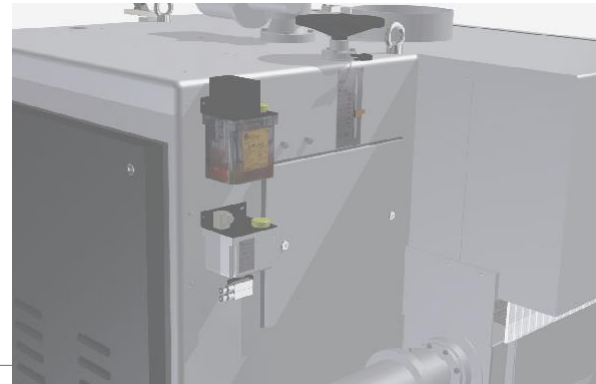
The rollers are guided at the side and they exert pressure over the entire width of the plank through two springs. This application also guarantees good holding of the planks which become curved after drying.

FEEDING TRACK MOTOR



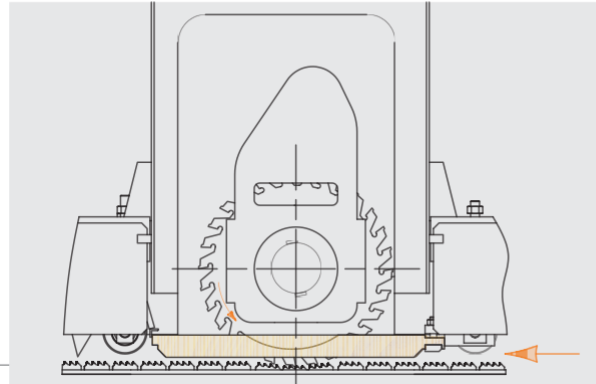
Feeding track is powered by a geared motor controlled by an inverter. Thanks to a potentiometer the operator can vary the feeding track speed checking its value on the graduated scale printed on the control panel.

OIL PUMP LUBRICATION



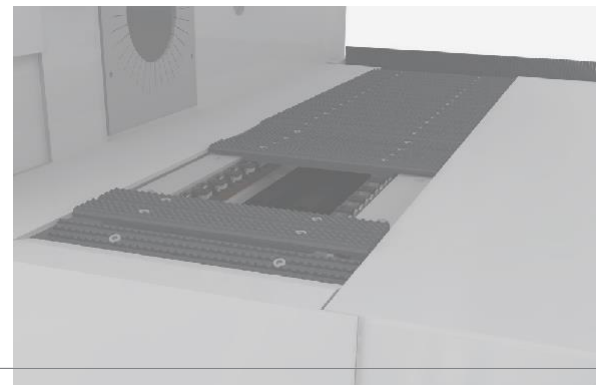
Machine lubrication is automatic. The oil distribution system supplies the single lubrication points in differential way at a pressure of 10 bar, thus ensuring maximum efficiency also against risk of clogging. The oil flow rate is with a fully electronic regulation and has several setting.

LONG PRESSURE SHOE



The long wooden shoe allows perfect holding of the plank, even if warped in the blade compartment, thus preventing the blades from removing or splitting cracked or thin planks.

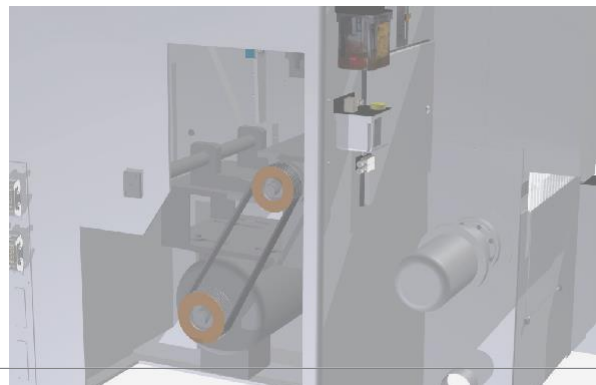
FEEDING TRACK CHAIN



The feed belt runs along 2 hardened steel guides. The cast iron pad is fastened on a chain thus offering the following advantages:

- no stoppings feeding track
- possibility of exerting high pressures on the plank without risk of overheating and wear on the guides (the chain turns on the guides)
- practical and low cost maintenance enhance its performance.

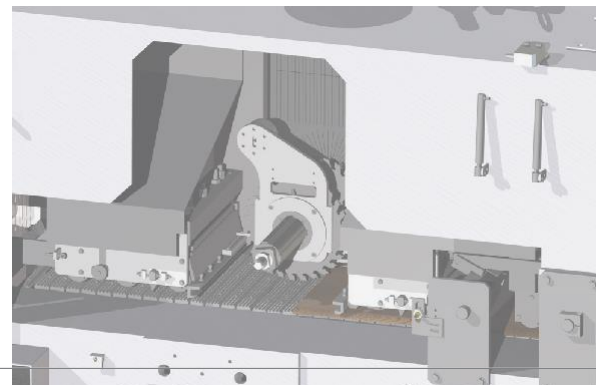
MOTOR POWER TRANSMISSION



The timing belt drive guarantees high performance and reliability:

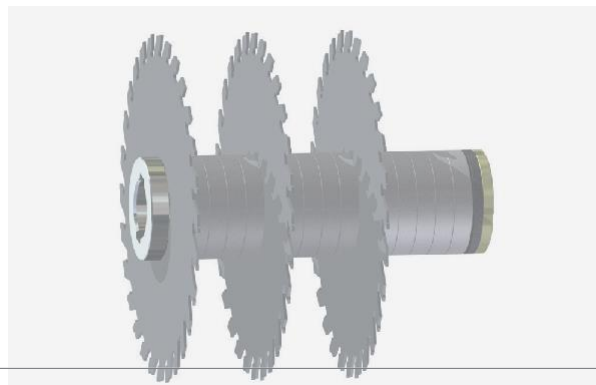
- drive flexibility (no mechanical failures)
- no possibility of slippage on the pulley with subsequent overheating (the belt teeth ensure optimum winding on the pulley).

MAIN SPINDLE



The surface treatment of the spindle ensures long working life.

FIXED SLEEVE

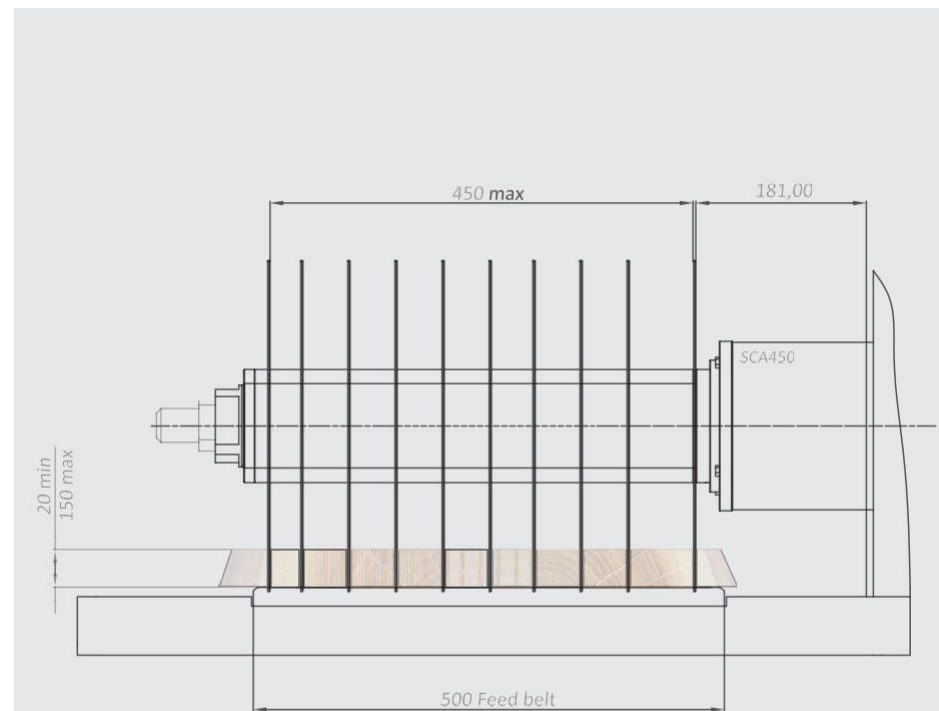


The in-house quality control and engineering ensure perfect balancing of the blade sleeve, therefore silent running also at maximum speed.

SCA 450 T500

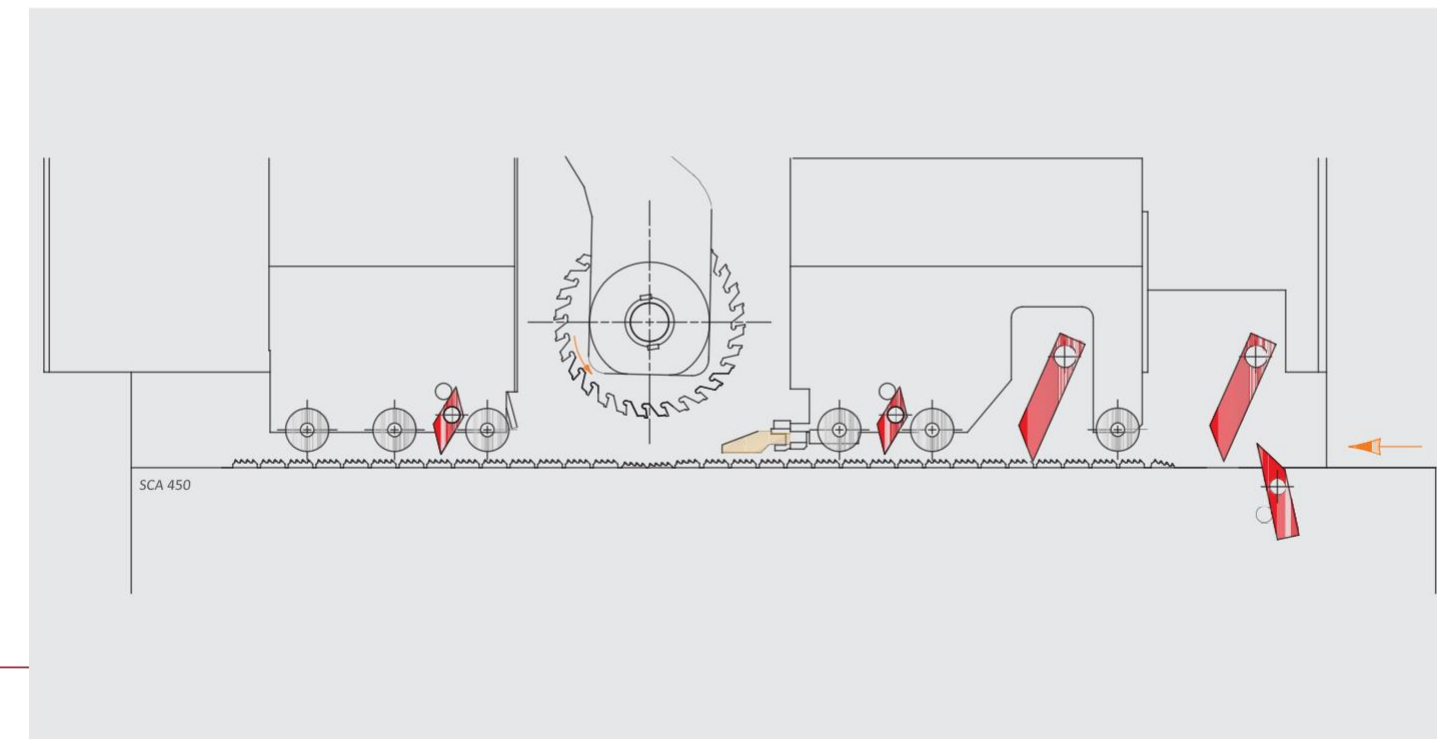


CUTTING DRAWING

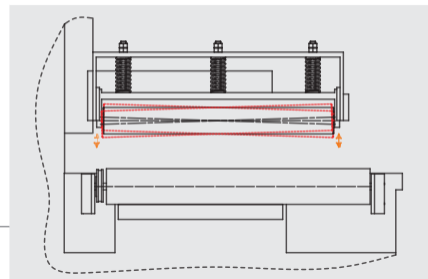


ANTI KICK BACK DRAWING

Top rollers group raised automatically, with 6 independent hold-down rolls and a long wooden shoe placed between the blades. The splinterproof system consists of steel fingers distributed on 4 top rows (two of which acting as splinterproof and the other two as anti-kickback) and one bottom row.

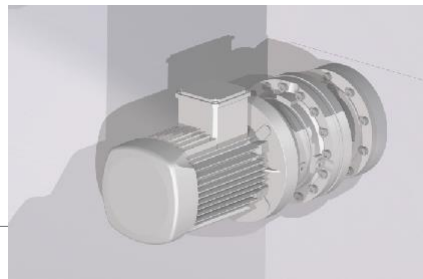


PRESSURE ROLLER



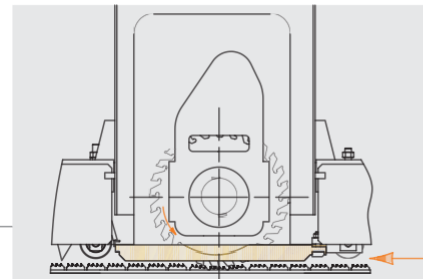
The rollers are guided at the side and they exert pressure over the entire width of the plank through two springs. This application also guarantees good holding of the planks which become curved after drying.

FEEDING TRACK MOTOR



Feeding track is powered by a geared motor controlled by an inverter. Thanks to a potentiometer the operator can vary the feeding track speed checking its value on the graduated scale printed on the control panel.

LONG PRESSURE SHOE



The long wooden shoe allows perfect holding of the plank, even if warped in the blade compartment, thus preventing the blades from removing or splitting cracked or thin planks.

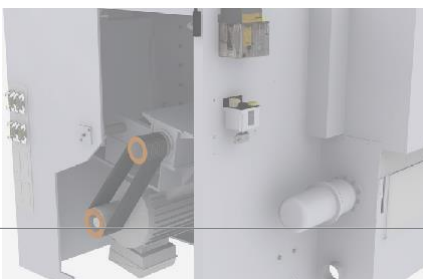
FEEDING TRACK CHAIN



The feed belt runs along 2 hardened steel guides. The cast iron pad is fastened on a chain thus offering the following advantages:

- no stoppings feeding track
- possibility of exerting high pressures on the plank without risk of overheating and wear on the guides (the chain turns on the guides)
- practical and low cost maintenance enhance its performance.

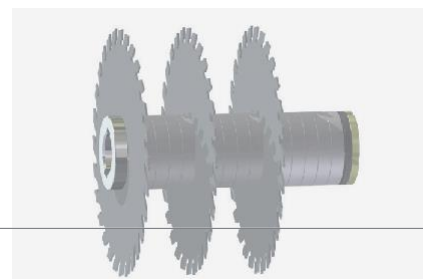
MOTOR POWER TRANSMISSION



The timing belt drive guarantees high performance and reliability:

- drive flexibility (no mechanical failures)
- no possibility of slippage on the pulley with subsequent overheating (the belt teeth ensure optimum winding on the pulley).

FIXED SLEEVE



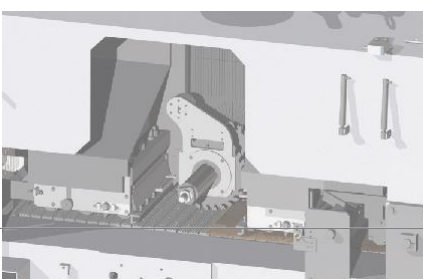
The in-house quality control and engineering ensure perfect balancing of the blade sleeve, therefore silent running also at maximum speed.

OIL PUMP LUBRICATION



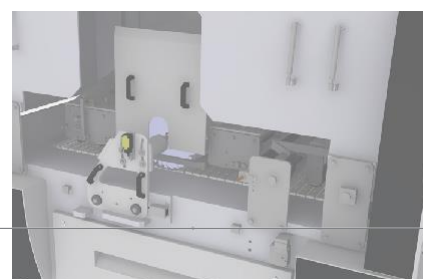
Machine lubrication is automatic. The oil distribution system supplies the single lubrication points in differential way at a pressure of 10 bar, thus ensuring maximum efficiency also against risk of clogging. The oil flow rate is with a fully electronic regulation and has several settings.

MAIN SPINDLE



The surface treatment of the spindle ensures long working life.

MAIN SPINDLE HEADS' SUPPORT



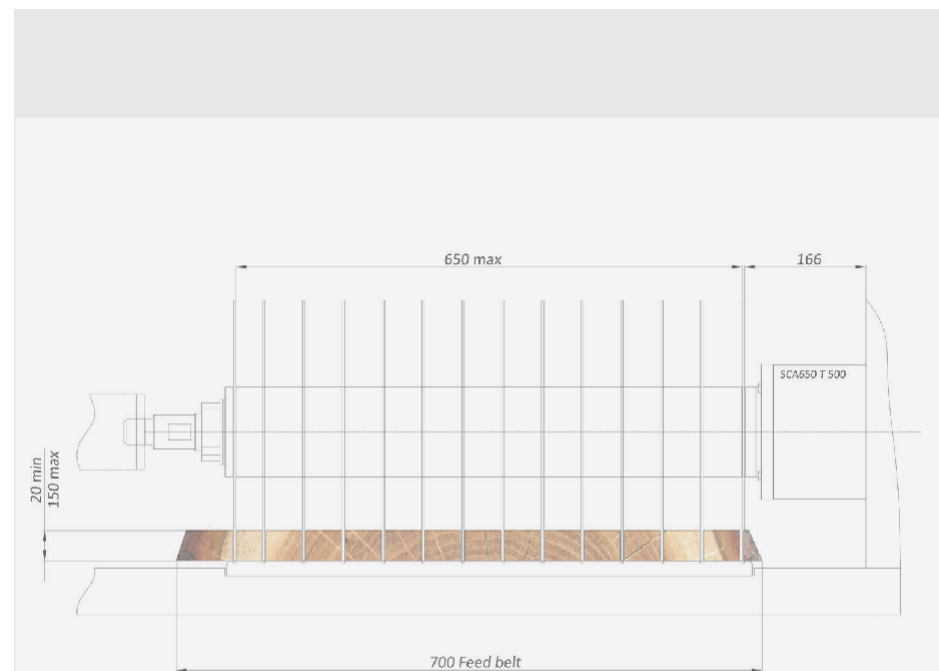
The ball-bearing support offers further stability to the spindle which is already overdimensioned.



SCA 650 T700

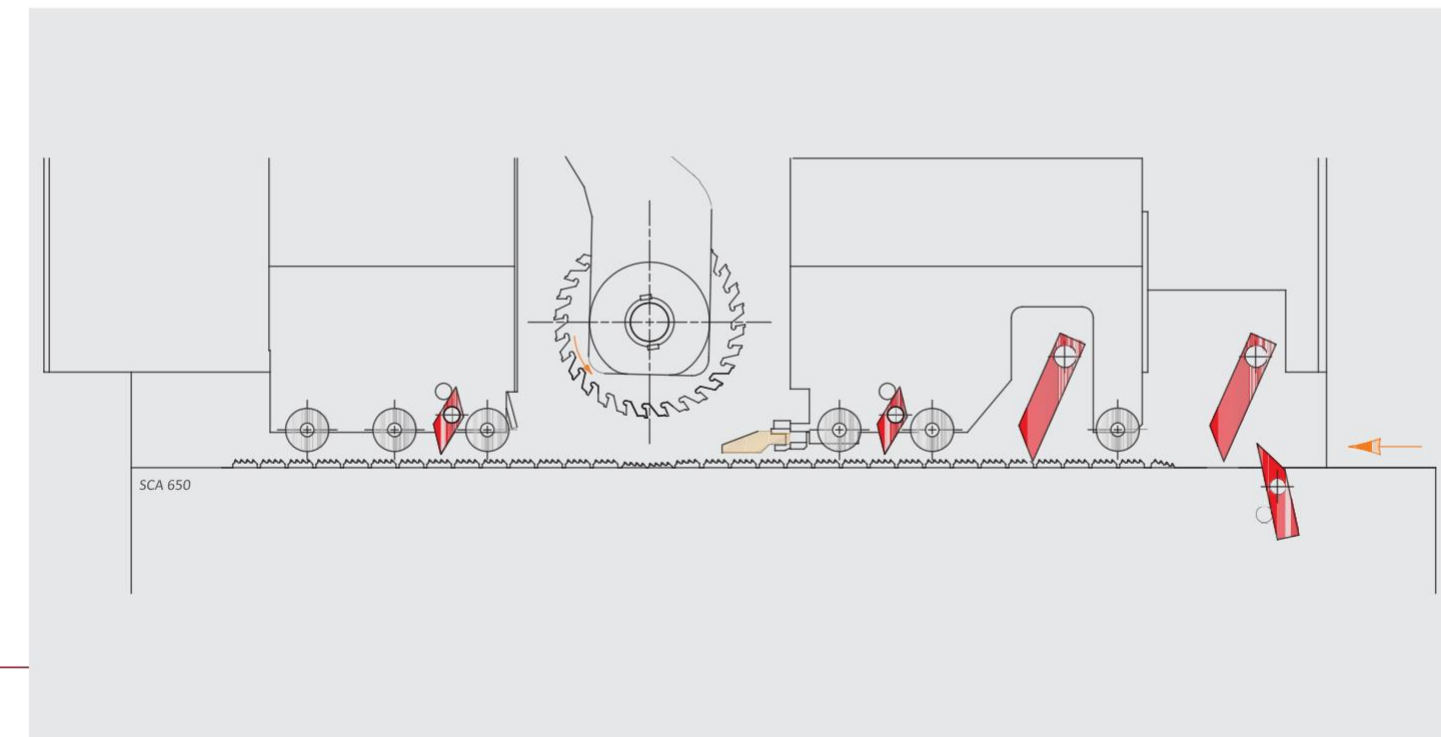


CUTTING DRAWING

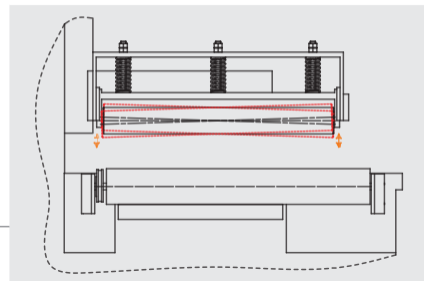


ANTI KICK BACK DRAWING

Top rollers group raised automatically, with 6 independent hold-down rolls and a long wooden shoe placed between the blades. The splinterproof system consists of steel fingers distributed on 4 top rows (two of which acting as splinterproof and the other two as anti-kickback) and one bottom row.

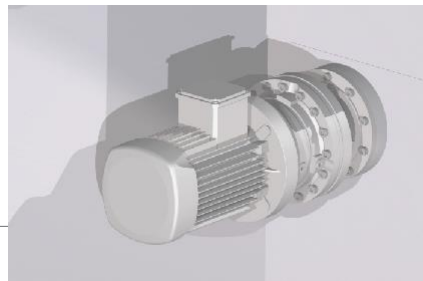


PRESSURE ROLLER



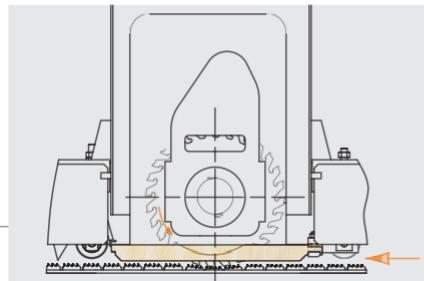
The rollers are guided at the side and they exert pressure over the entire width of the plank through two springs. This application also guarantees good holding of the planks which become curved after drying.

FEEDING TRACK MOTOR



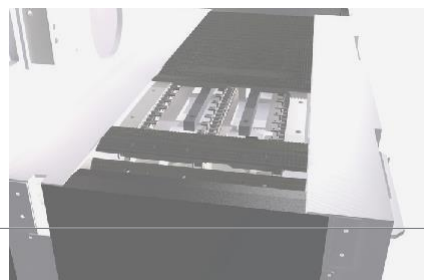
Feeding track is powered by a geared motor controlled by an inverter. Thanks to a potentiometer the operator can vary the feeding track speed checking its value on the graduated scale printed on the control panel.

LONG PRESSURE SHOE



The long wooden shoe allows perfect holding of the plank, even if warped in the blade compartment, thus preventing the blades from removing or splitting cracked or thin planks.

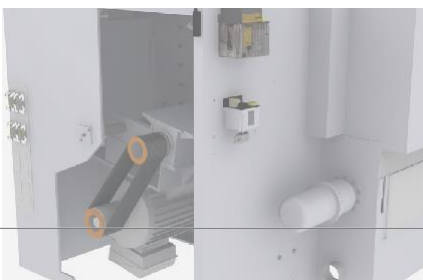
FEEDING TRACK CHAIN



The feed belt runs along 2 hardened steel guides. The cast iron pad is fastened on a chain thus offering the following advantages:

- no stoppings feeding track
- possibility of exerting high pressures on the plank without risk of overheating and wear on the guides (the chain turns on the guides)
- practical and low cost maintenance enhance its performance.

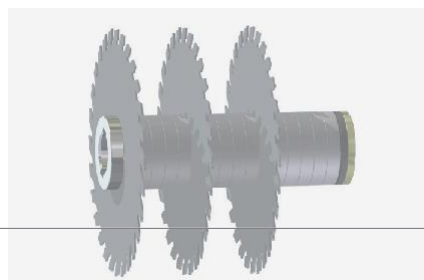
MOTOR POWER TRANSMISSION



The timing belt drive guarantees high performance and reliability:

- drive flexibility (no mechanical failures)
- no possibility of slippage on the pulley with subsequent overheating (the belt teeth ensure optimum winding on the pulley).

FIXED SLEEVE



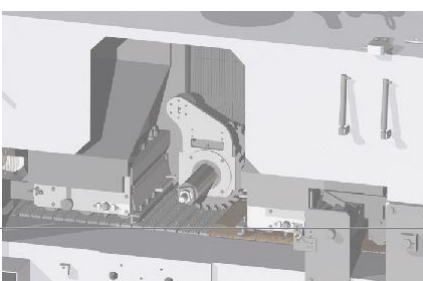
The in-house quality control and engineering ensure perfect balancing of the blade sleeve, therefore silent running also at maximum speed.

OIL PUMP LUBRICATION



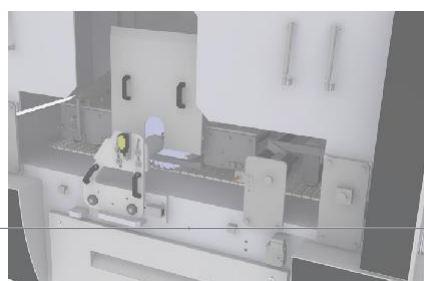
Machine lubrication is automatic. The oil distribution system supplies the single lubrication points in differential way at a pressure of 10 bar, thus ensuring maximum efficiency also against risk of clogging. The oil flow rate is with a fully electronic regulation and has several settings.

MAIN SPINDLE



The surface treatment of the spindle ensures long working life.

MAIN SPINDLE HEADS' SUPPORT



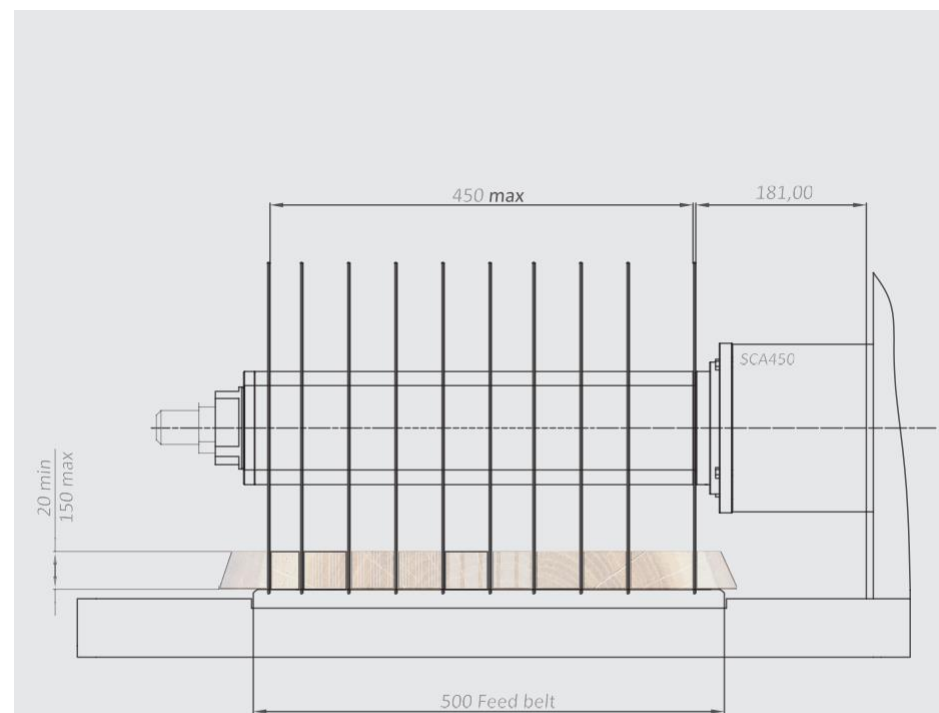
The ball-bearing support offers further stability to the spindle which is already overdimensioned.



SCA 500 EVOLUTION

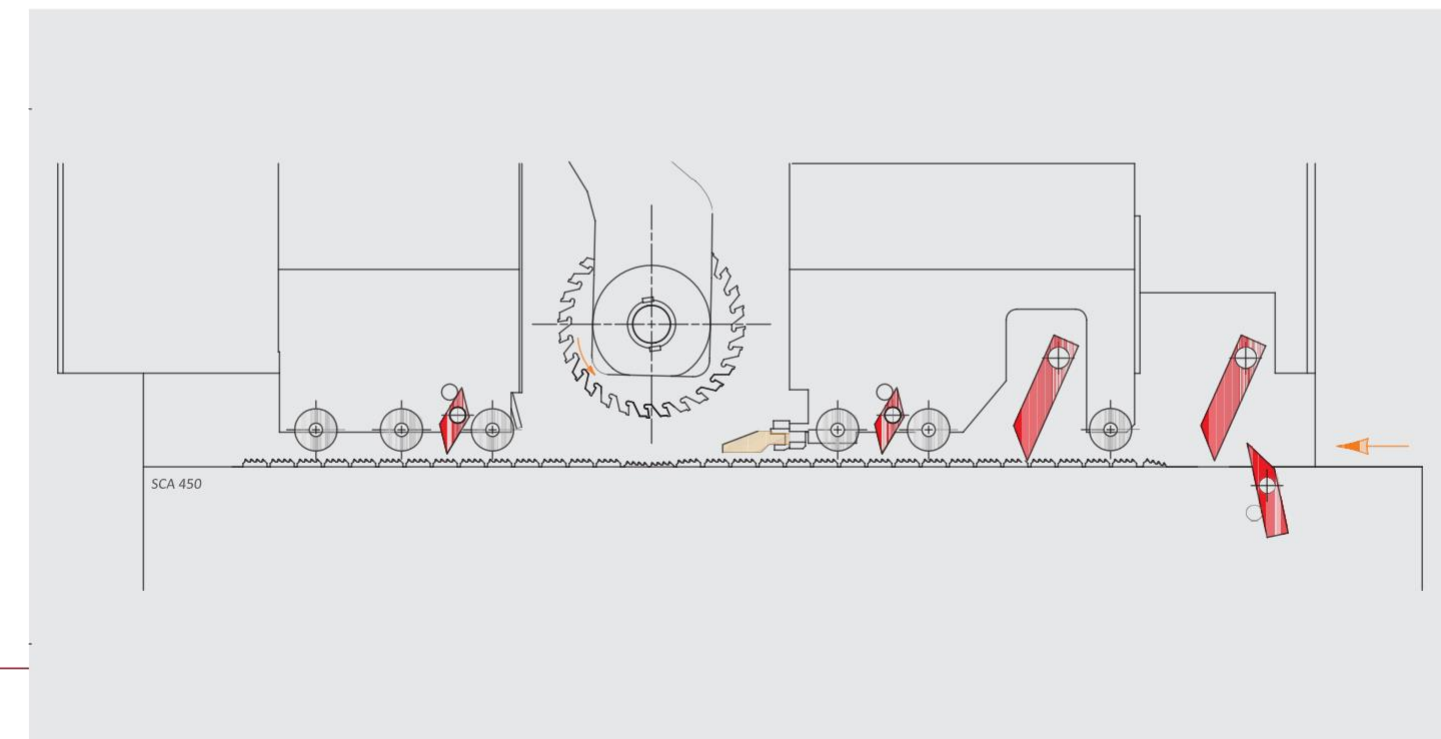


CUTTING DRAWING

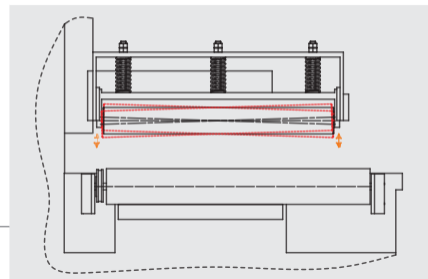


ANTI KICK BACK DRAWING

Top rollers group raised automatically, with 6 independent hold-down rolls and a long wooden shoe placed between the blades. The splinterproof system consists of steel fingers distributed on 4 top rows (two of which acting as splinterproof and the other two as anti-kickback) and one bottom row.

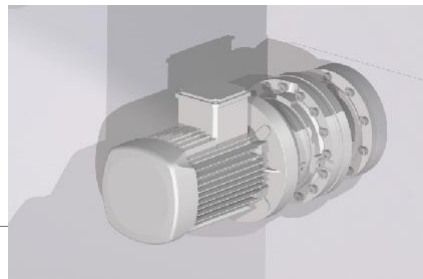


PRESSURE ROLLER



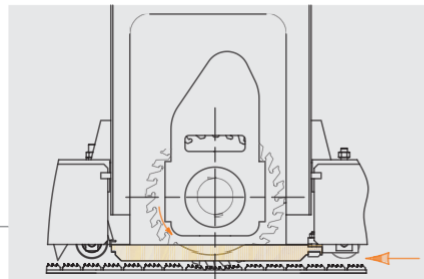
The rollers are guided at the side and they exert pressure over the entire width of the plank through two springs. This application also guarantees good holding of the planks which become curved after drying.

FEEDING TRACK MOTOR



Feeding track is powered by a geared motor controlled by an inverter. Thanks to a potentiometer the operator can vary the feeding track speed checking its value on the graduated scale printed on the control panel.

LONG PRESSURE SHOE



The long wooden shoe allows perfect holding of the plank, even if warped in the blade compartment, thus preventing the blades from removing or splitting cracked or thin planks.

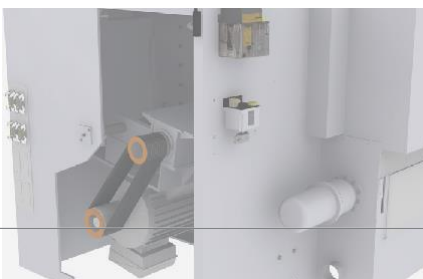
FEEDING TRACK CHAIN



The feed belt runs along 2 hardened steel guides. The cast iron pad is fastened on a chain thus offering the following advantages:

- no stoppings feeding track
- possibility of exerting high pressures on the plank without risk of overheating and wear on the guides (the chain turns on the guides)
- practical and low cost maintenance enhance its performance.

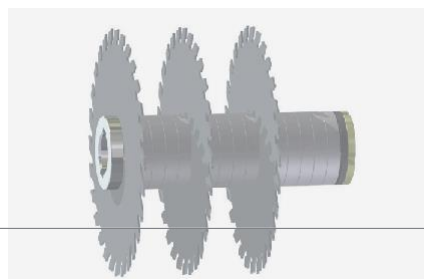
MOTOR POWER TRANSMISSION



The timing belt drive guarantees high performance and reliability:

- drive flexibility (no mechanical failures)
- no possibility of slippage on the pulley with subsequent overheating (the belt teeth ensure optimum winding on the pulley).

FIXED SLEEVE



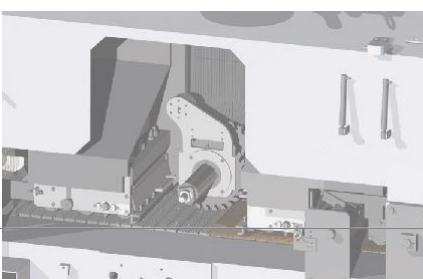
The in-house quality control and engineering ensure perfect balancing of the blade sleeve, therefore silent running also at maximum speed.

OIL PUMP LUBRICATION



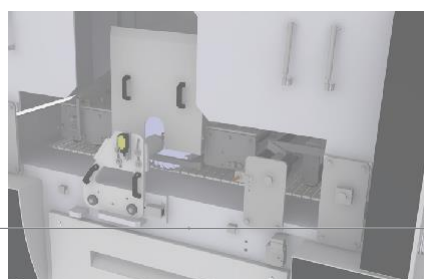
Machine lubrication is automatic. The oil distribution system supplies the single lubrication points in differential way at a pressure of 10 bar, thus ensuring maximum efficiency also against risk of clogging. The oil flow rate is with a fully electronic regulation and has several settings.

MAIN SPINDLE



The surface treatment of the spindle ensures long working life.

MAIN SPINDLE HEADS' SUPPORT



The ball-bearing support offers further stability to the spindle which is already overdimensioned.

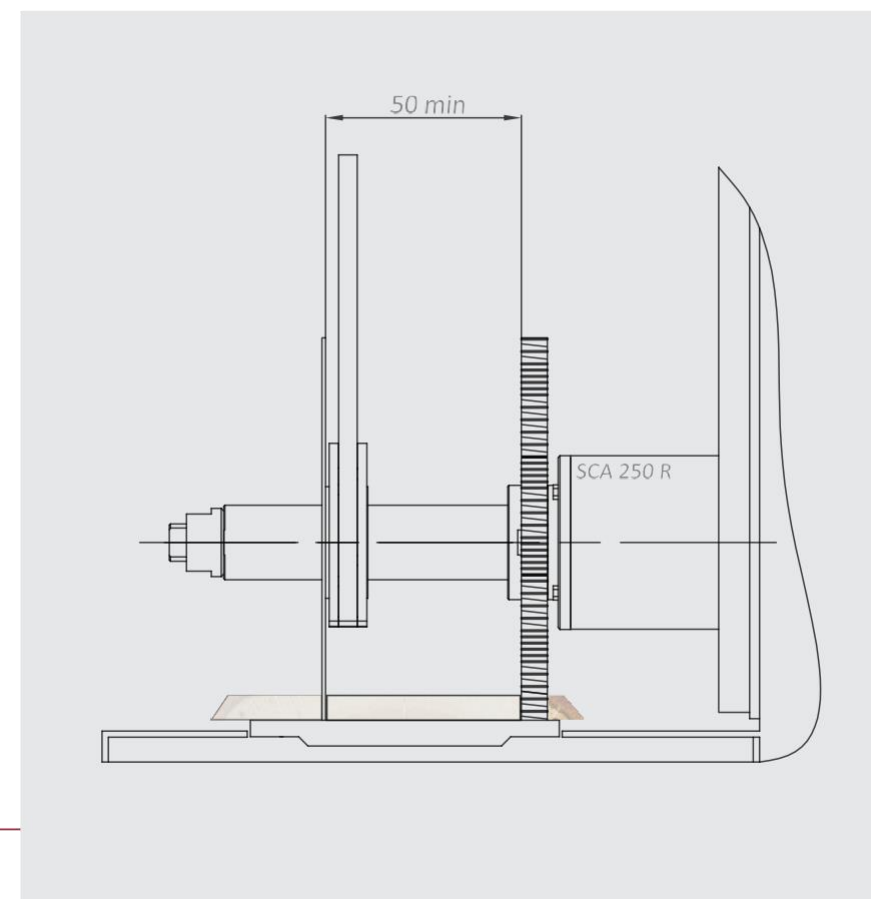
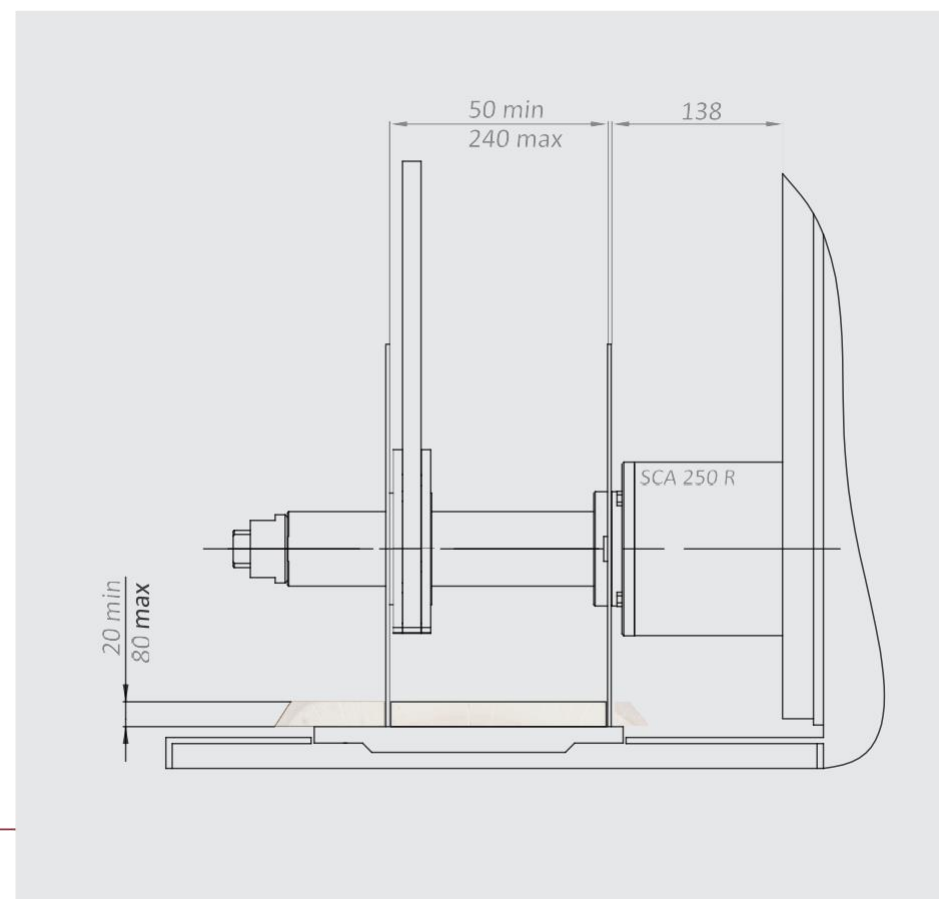


TECHNICAL DETAILS	MULTI-RIP E 350	MULTI-RIP J 250	MULTI-RIP J 350	MULTI-RIP J 450	MULTI-RIP SCA 220 T250	MULTI-RIP SCA 320 T350	MULTI-RIP SCA 450 T500	MULTI-RIP SCA 650 T700	MULTI-RIP SCA 500 EVOLUTION
VOLTAGE	400V / 50Hz	400V / 50Hz	400V / 50Hz	400V / 50Hz	400V / 50Hz	400V / 50Hz	400V / 50Hz	400V / 50Hz	400V / 50Hz
DUST CONNECTION (MAIN)	250mm diameter port/30 meters per second/5300Mc3/h	200mm diameter port/30 meters per second/3400Mc3/h	250mm diameter port/30 meters per second/5300Mc3/h	300mm diameter port/30 meters per second/7600Mc3/h	250mm diameter port/30 meters per second/5300Mc3/h	300mm diameter port/30 meters per second/7600Mc3/h	300mm diameter port/30 meters per second/7600Mc3/h	300mm diameter port/30 meters per second/7600Mc3/h	300mm diameter port/30 meters per second/7600Mc3/h
WEIGHT MACHINE	2000Kg	1200Kg	2100Kg	5400Kg	2800Kg	2900Kg	5800Kg	6000Kg	6000Kg
DIMENSIONS MACHINE	L. 173,5cm W. 175cm H. 170cm	L. 125cm W. 117cm H. 130cm	L. 173cm W. 175cm H. 175cm	L. 215cm W. 201cm H. 205cm	L. 217,5cm W. 178cm H. 184cm	L. 220cm W. 200cm H. 190cm	L. 255cm W. 240cm H. 200cm	L. 255cm W. 245cm H. 200cm	L. 255cm W. 240cm H. 200cm
BLADES MOTOR POWER	Hp 30-50/Kw 22-37	Hp 20-25 / Kw 15-18.5	Hp 30-40-50-60 / Kw 22-30-37-44	Hp 60-75-100 / Kw 44-55-75	Hp 20-25-30-40 / Kw 15-18,5-22-30	Hp 30-40-50-60-75 / Kw 22-30-37-44-55	Hp 60-75-100-125 / Kw 44-55-75-92	Hp 60-75-100-125 / Kw 44-55-74-92	Hp 150/180 / Kw 110-132
FEEDING BELT MOTOR POWER	1.5 Kw	0.9 Kw	1.5 Kw	3 Kw	0.75 Kw	1.5Kw	3 Kw	3 Kw	3Kw
FEEDING BELT SPEED	0-40 Mt/1'	12 a 24 Mt/1"	0-50 Mt/1"	0-50 Mt/1" 0-60 Mt/1" (OPTIONAL)	0-60 Mt/1" 0-80 Mt/1" (OPTIONAL)	0-60 Mt/1" 0-80 Mt/1" (OPTIONAL)	0-60 Mt/1" 0-80 Mt/1" (OPTIONAL)	0-60 Mt/1" 0-80 Mt/1" (OPTIONAL)	0-60 Mt/1" 0-80 Mt/1" (OPTIONAL)
GROUP PRESSURE MOTOR POWER	-	-	0.75Kw	1.1 Kw	0.75Kw	0.75Kw	0.75Kw	0.75Kw	0.75Kw
MAX PASSAGE WIDTH PLANKS	650mm	550mm	650mm	800mm	680mm (800mm)	830mm	930mm (1000)	1130mm (1200)	850mm
FEED BELT WIDTH	350mm	250mm	350mm	500mm	250mm	350mm	500mm	700mm	500mm
BLADES SHAFT ROTATION	3500 RPM	3500 RPM	3500 RPM	3500 RPM	3500 RPM	3500 RPM	3500 RPM	3500 RPM	2980 RPM
MAX. CUTTING THICKNESS	80mm (with blade to D.350mm)	80mm (with blade to D.300mm)	130mm (with blade to D.370mm)	120mm (with blade to D.400mm)	110mm (with blade to D.330mm)	130mm (with blade to D.370mm)	150mm (with blade to D.450mm)	150mm (with blade to D.450mm)	150mm (with blade to D.450mm)
MIN. CUTTING THICKNESS	20mm	20mm	20mm	20mm	20mm	20mm	20mm	20mm	20mm
MIN. PLANKS LENGTH	600mm	500mm (280mm optional for short pieces)	600mm (400mm optional for short pieces)	550mm (400mm optional for short pieces)	500mm (280mm optional for short pieces)	500mm (350mm optional for short pieces)	550mm (400mm optional for short pieces)	650mm (450mm optional for short pieces)	550mm (400mm)
MAX. DISTANCE BETWEEN FIXED SAWS	320mm	220mm	320mm (blade D.370mm)	400mm (blade D.300mm)	220mm (blade 330mm)	320mm (370mm blade)	450mm (blade 350mm)	650mm	450mm
TABLE WORKING HEIGHT FROM FLOOR	780mm	750mm	780mm	780mm	780mm	780mm	780mm	780mm	780mm
SOUND CAMPING MATERIAL ABLE TO REDUCE NOISE	lower 15db	lower 15db	lower 15db	lower 15db	lower 15db	lower 15db	lower 15db	lower 15db	lower 15db
CHAIN BELT AUTOMATIC LUBRICATION	no	no	no	●	●	●	●	●	●

SCA 220 R T250

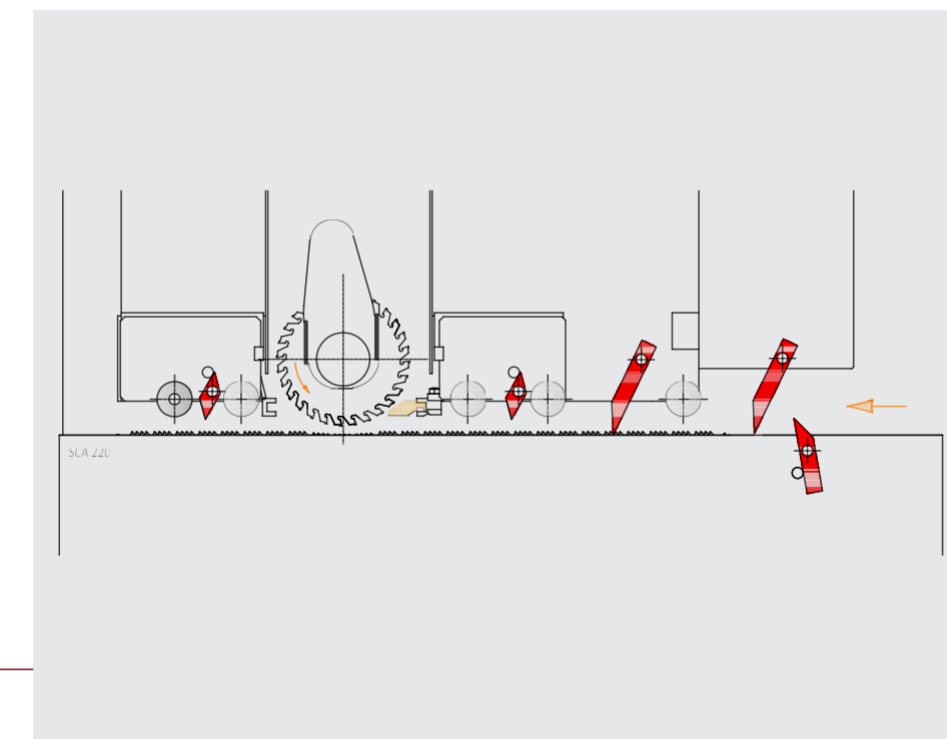


CUTTING DRAWING

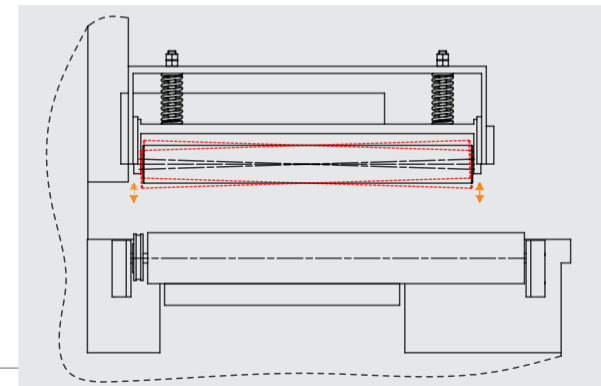


ANTI KICK BACK DRAWING

Top rollers group raised automatically, with 5 independent hold-down rolls and a long wooden shoe placed between the blades. The splinterproof system consists of steel fingers distributed on 4 top rows (two of which acting as splinterproof and the other two as anti-kickback) and one bottom row.



PRESSURE ROLLER



The rollers are guided at the side and they exert pressure over the entire width of the plank through two springs. This application also guarantees good holding of the planks which become curved after drying.

FEEDING TRACK MOTOR



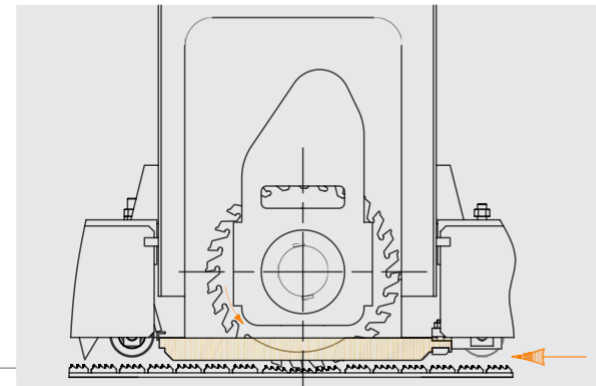
Feeding track is powered by a geared motor controlled by an inverter. Thanks to a potentiometer the operator can vary the feeding track speed checking its value on the graduated scale printed on the control panel.

FIXED SLEEVE



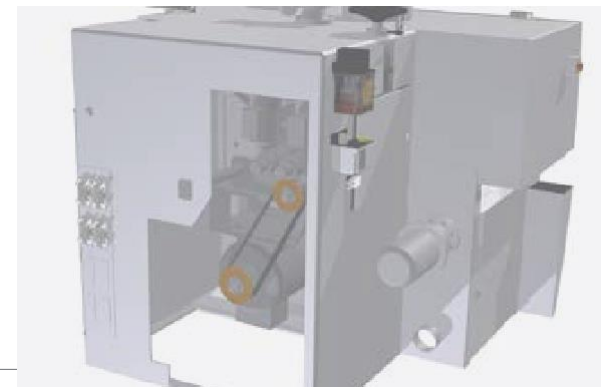
The in-house quality control and engineering ensure perfect balancing of the blade sleeve, therefore silent running also at maximum speed.

LONG PRESSURE SHOE



The long wooden shoe allows perfect holding of the plank, even if warped in the blade compartment, thus preventing the blades from removing or splitting cracked or thin planks.

MOTOR POWER TRANSMISSION



The timing belt drive guarantees high performance and reliability:

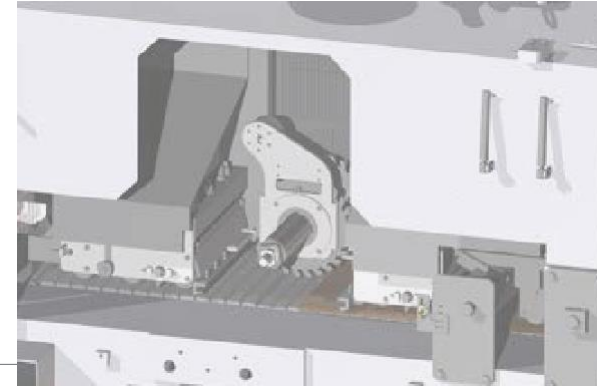
- drive flexibility (no mechanical failures)
- no possibility of slippage on the pulley with subsequent overheating (the belt teeth ensure optimum winding on the pulley).

OIL PUMP LUBRICATION



Machine lubrication is automatic. The oil distribution system supplies the single lubrication points in differential way at a pressure of 10 bar, thus ensuring maximum efficiency also against risk of clogging. The oil flow rate is with a fully electronic regulation and has several setting

MAIN SPINDLE

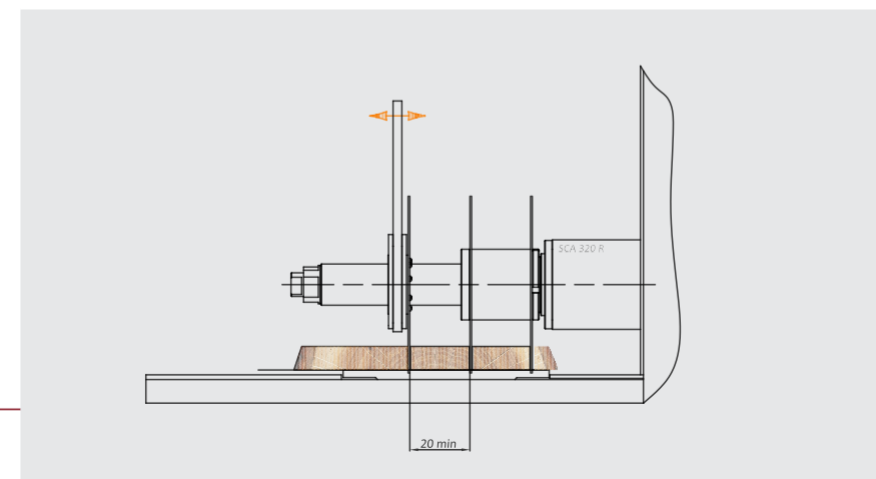
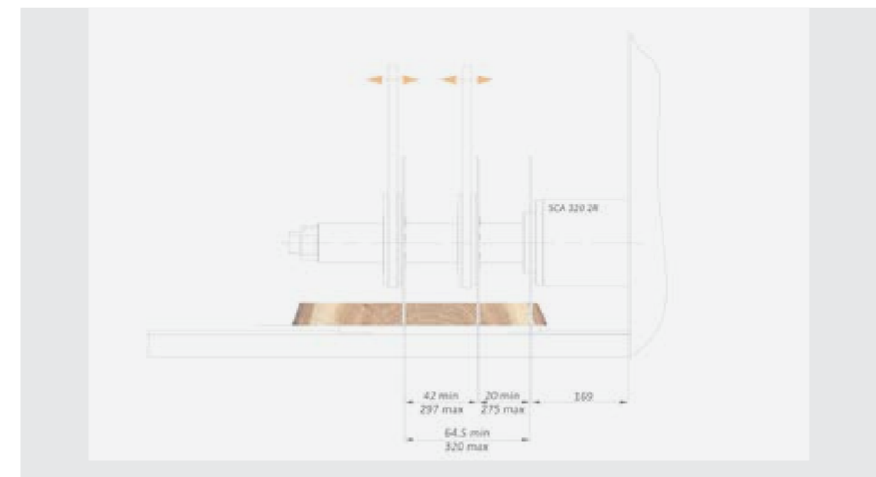
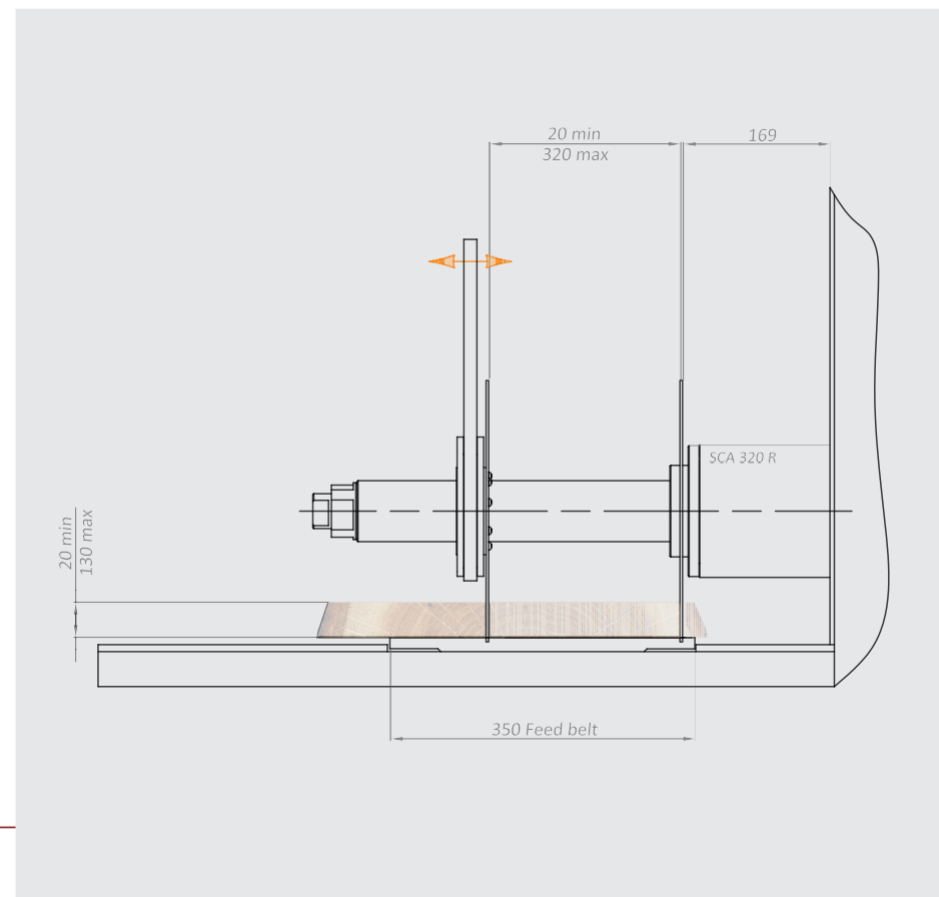


The surface treatment of the spindle ensures perfect running of the moving blade and long working life.

SCA 320 R T350

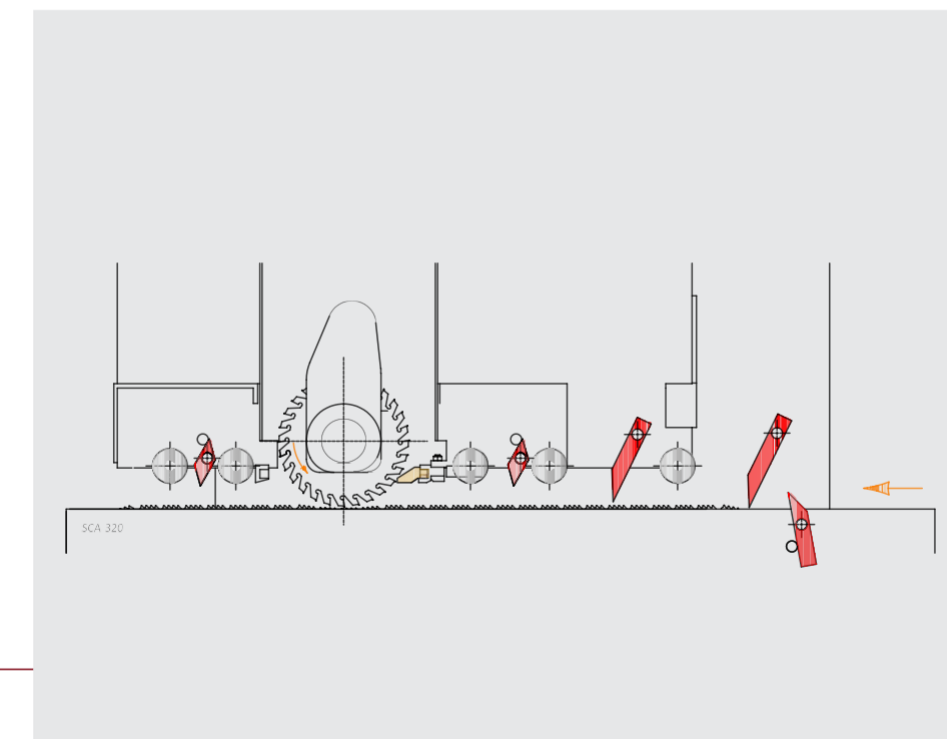


CUTTING DRAWING

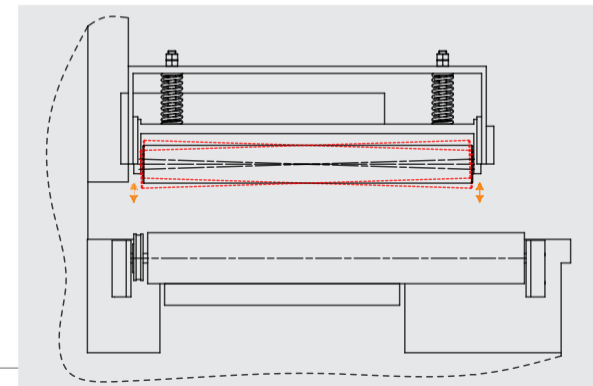


ANTI KICK BACK DRAWING

Top rollers group raised automatically, with 5 independent hold-down rolls and a long wooden shoe placed between the blades. The splinterproof system consists of steel fingers distributed on 4 top rows (two of which acting as splinterproof and the other two as anti-kickback) and one bottom row.



PRESSURE ROLLER



The rollers are guided at the side and they exert pressure over the entire width of the plank through two springs. This application also guarantees good holding of the planks which become curved after drying.

FEEDING TRACK MOTOR



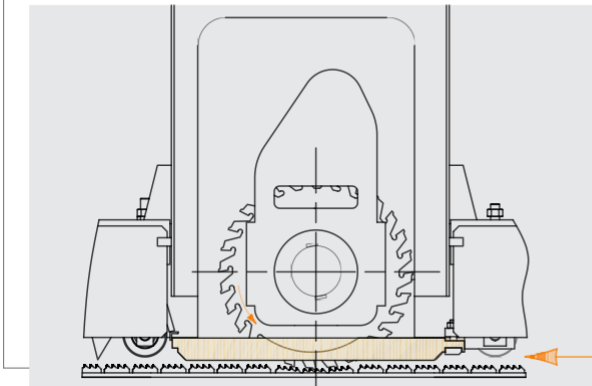
Feeding track is powered by a geared motor controlled by an inverter. Thanks to a potentiometer the operator can vary the feeding track speed checking its value on the graduated scale printed on the control panel.

OIL PUMP LUBRICATION



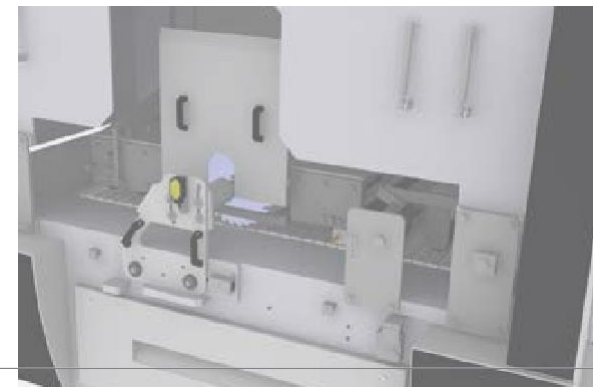
Machine lubrication is automatic. The oil distribution system supplies the single lubrication points in differential way at a pressure of 10 bar, thus ensuring maximum efficiency also against risk of clogging. The oil flow rate is with a fully electronic regulation and has several settings.

LONG PRESSURE SHOE



The long wooden shoe allows perfect holding of the plank, even if warped in the blade compartment, thus preventing the blades from removing or splitting cracked or thin planks.

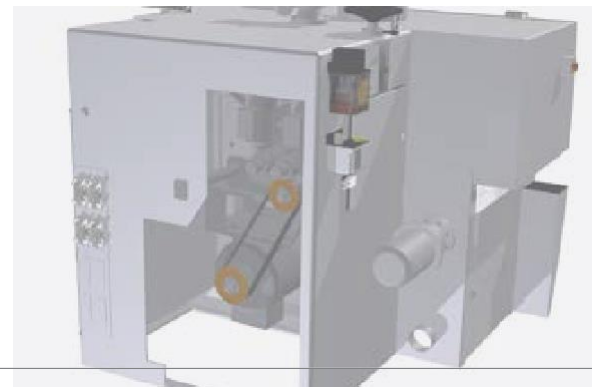
FEEDING TRACK CHAIN



The feed belt runs along 2 hardened steel guides. The cast iron pad is fastened on a chain thus offering the following advantages:

- no stoppings feeding track
- possibility of exerting high pressures on the plank without risk of overheating and wear on the guides (the chain turns on the guides)
- practical and low cost maintenance enhance its performance.

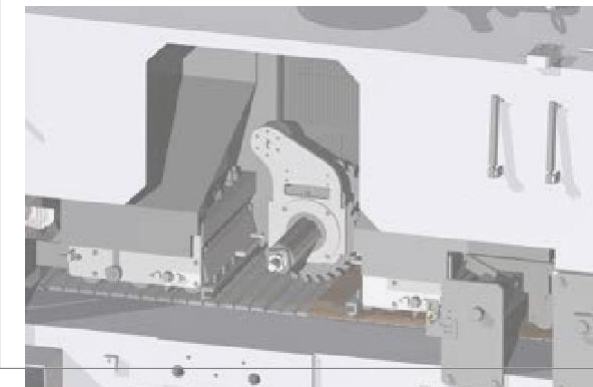
MOTOR POWER TRANSMISSION



The timing belt drive guarantees high performance and reliability:

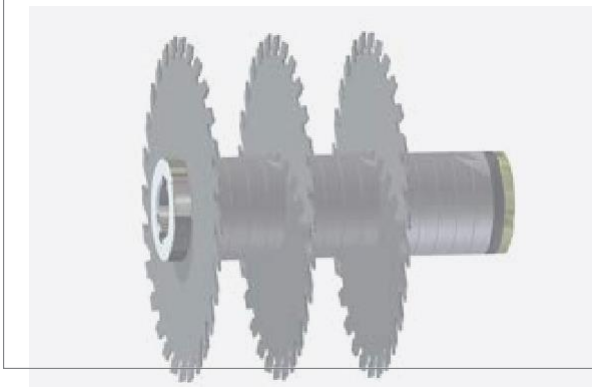
- drive flexibility (no mechanical failures)
- no possibility of slippage on the pulley with subsequent overheating (the belt teeth ensure optimum winding on the pulley).

MAIN SPINDLE



The surface treatment of the spindle ensures perfect running of the moving blade and long working life.

FIXED SLEEVE

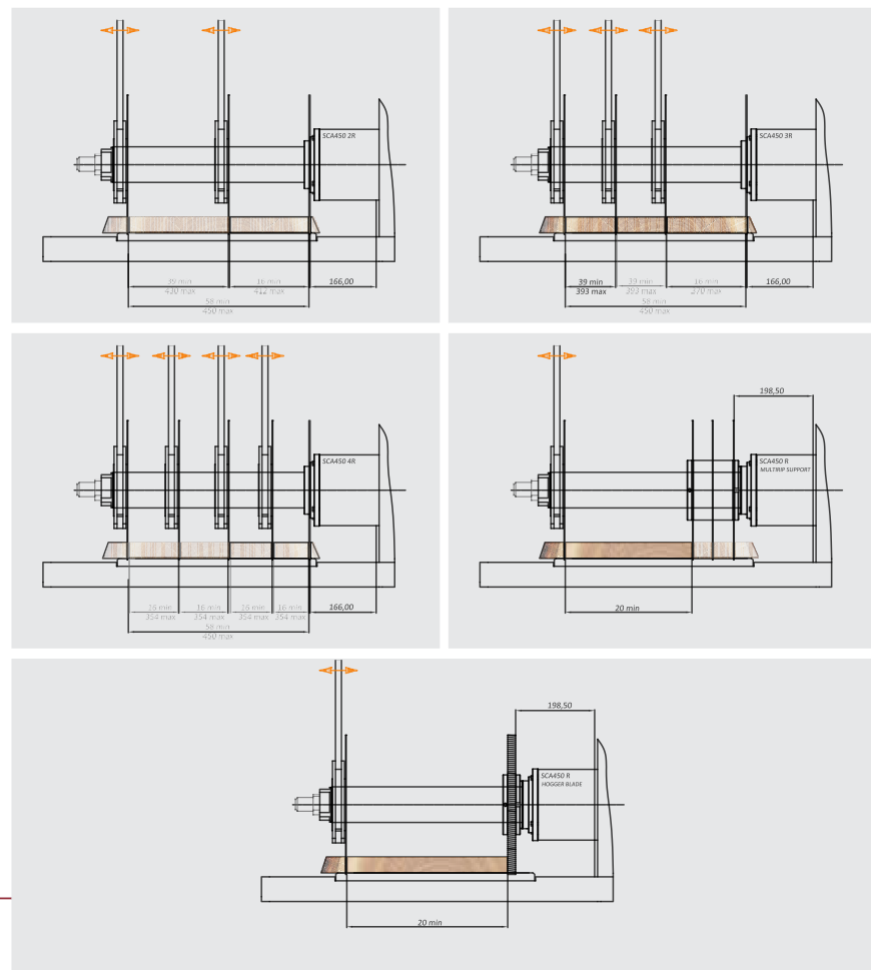
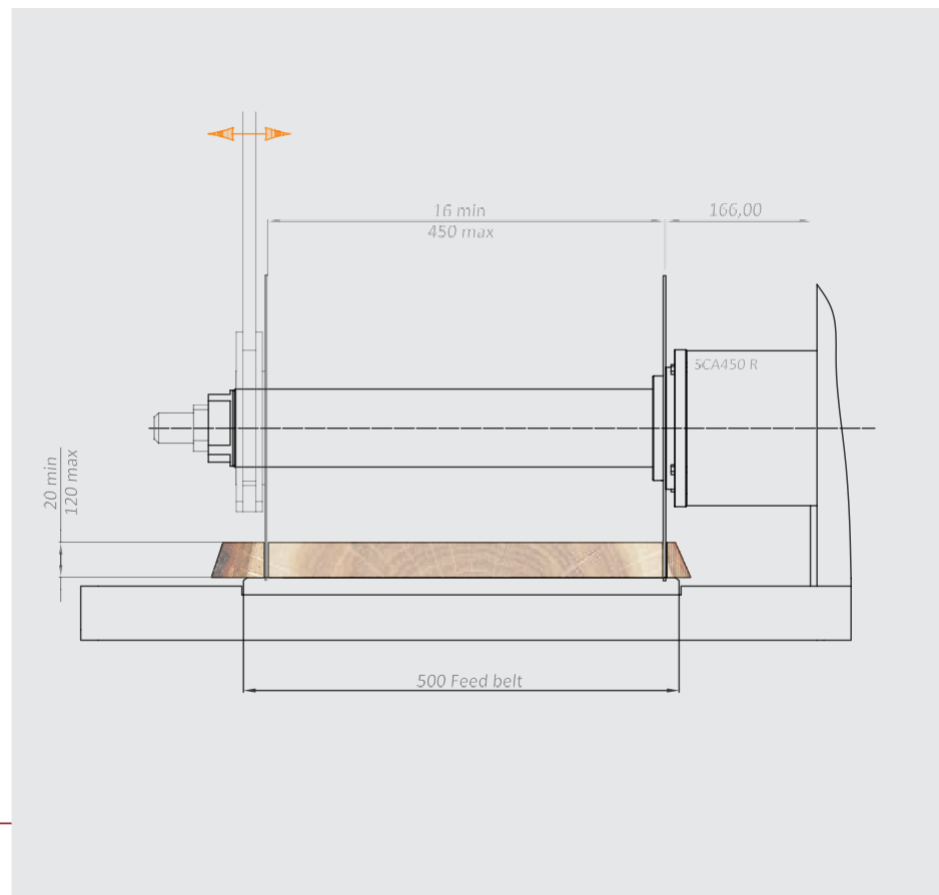


The in-house quality control and engineering ensure perfect balancing of the blade sleeve, therefore silent running also at maximum speed.

SCA 450 R T500

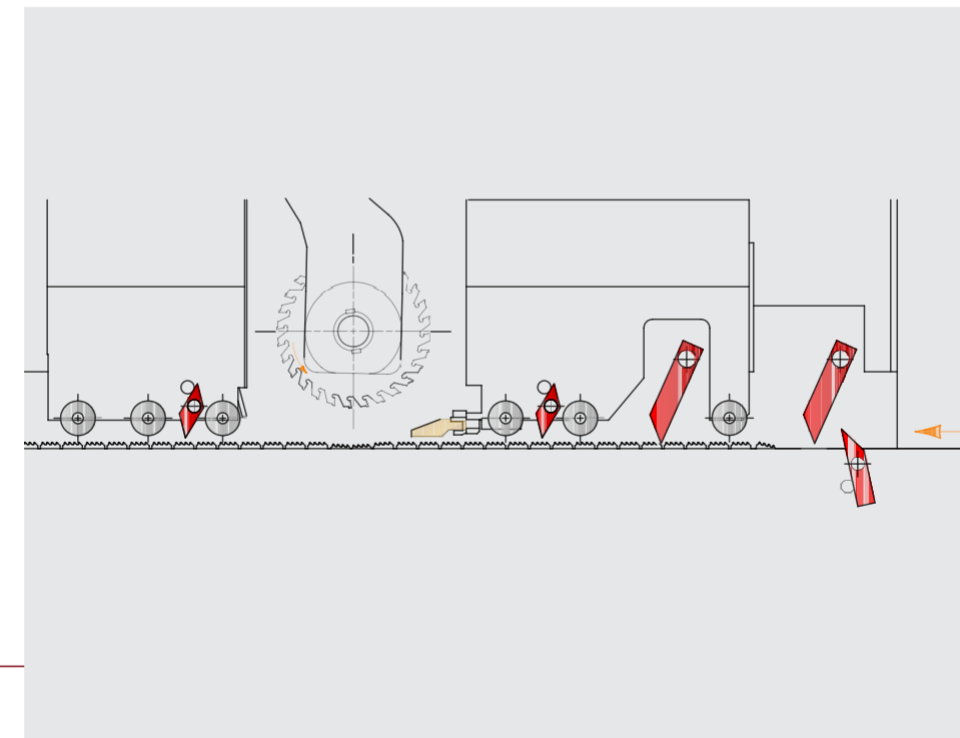


CUTTING DRAWING

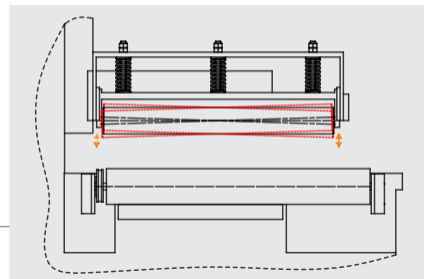


ANTI KICK BACK DRAWING

Top rollers group raised automatically, with 6 independent hold-down rolls and a long wooden shoe placed between the blades. The splinterproof system consists of steel fingers distributed on 4 top rows (two of which acting as splinterproof and the other two as anti-kickback) and one bottom row.



PRESSURE ROLLER



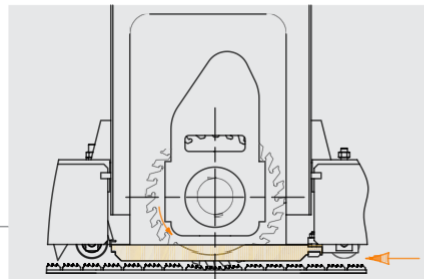
The rollers are guided at the side and they exert pressure over the entire width of the plank through two springs. This application also guarantees good holding of the planks which become curved after drying.

FEEDING TRACK MOTOR



Feeding track is powered by a geared motor controlled by an inverter. Thanks to a potentiometer the operator can vary the feeding track speed checking its value on the graduated scale printed on the control panel.

LONG PRESSURE SHOE



The long wooden shoe allows perfect holding of the plank, even if warped in the blade compartment, thus preventing the blades from removing or splitting cracked or thin planks.

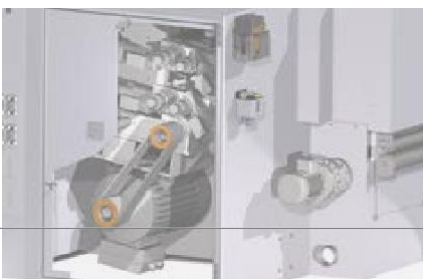
FEEDING TRACK CHAIN



The feed belt runs along 3 hardened steel guides. The cast iron pad is fastened on a chain thus offering the following advantages:

- no stoppings feeding track
- possibility of exerting high pressures on the plank without risk of overheating and wear on the guides (the chain turns on the guides)
- practical and low cost maintenance enhance its performance.

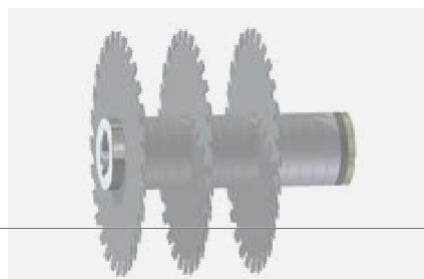
MOTOR POWER TRANSMISSION



The timing belt drive guarantees high performance and reliability:

- drive flexibility (no mechanical failures)
- no possibility of slippage on the pulley with subsequent overheating (the belt teeth ensure optimum winding on the pulley).

FIXED SLEEVE



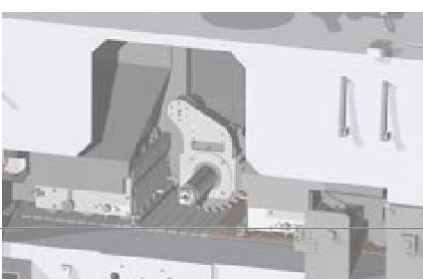
The in-house quality control and engineering ensure perfect balancing of the blade sleeve, therefore silent running also at maximum speed.

OIL PUMP LUBRICATION



Machine lubrication is automatic. The oil distribution system supplies the single lubrication points in differential way at a pressure of 10 bar, thus ensuring maximum efficiency also against risk of clogging. The oil flow rate is with a fully electronic regulation and has several settings.

MAIN SPINDLE



The surface treatment of the spindle ensures perfect running of the moving blade and long working life.

MAIN SPINDLE HEADS' SUPPORT



The ball-bearing support offers further stability to the spindle which is already overdimensioned.



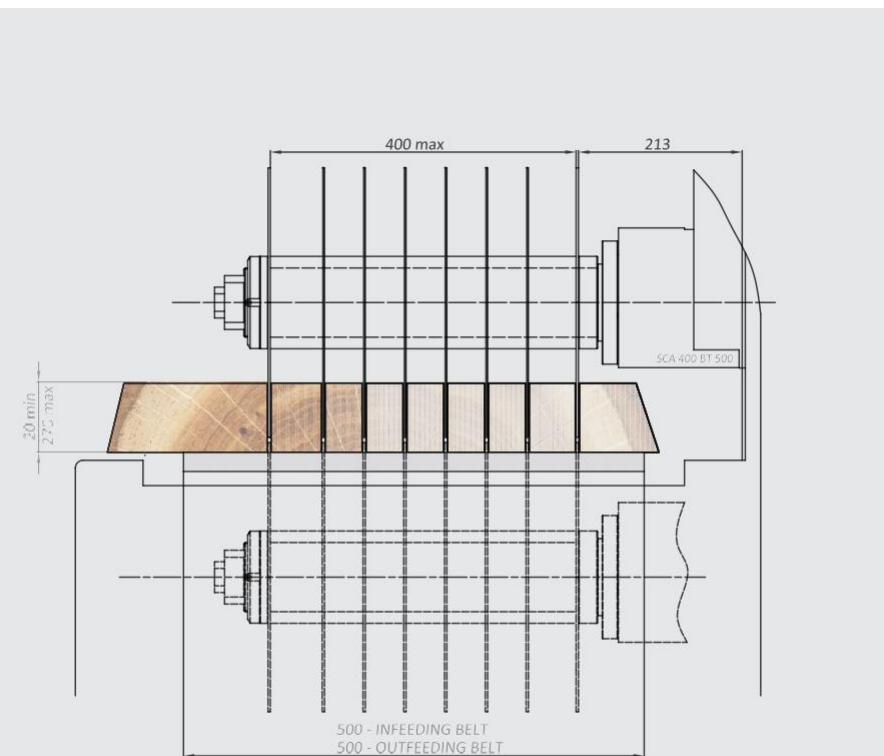
TECHNICAL DETAILS	EDGER E 350 R	EDGER J 350 R	EDGER J 450 R	EDGER SCA 220 R T250	EDGER SCA 320 R T350	EDGER SCA 450 R T500
VOLTAGE	400V / 50Hz	400V / 50Hz	400V / 50Hz	400V / 50Hz	400V / 50Hz	400V / 50Hz
DUST CONNECTION (MAIN)	250mm diameter port/ 30 m/s/5300Mc3/h	250mm diameter port/ 30 m/s/5300Mc3/h	300mm diameter port/30 meters per second/7600Mc3/h	250mm diameter port/ 30 m/s/5300Mc3/h	300mm diameter port/30 meters per second/7600Mc3/h	300mm diameter - 30m/s - 7600Mc3/h
WEIGHT MACHINE	2000Kg	2100Kg (2200 versione R)	5400Kg	2900Kg	3000Kg	6000Kg
DIMENSIONS MACHINE	L. 173cm W. 175cm H. 170cm	L. 173cm W. 175cm H. 175cm	L. 215cm W. 201cm H. 205cm	L. 217.5cm W. 178cm H. 184cm	L. 220cm W. 200cm H. 190cm	L. 255cm W. 240cm H. 200cm
BLADES MOTOR POWER	Hp 30 -50 / Kw 22 - 37	Hp 30-40-50-60 / Kw 22-30-37-44	Hp 60-75-100 / Kw 44-55-75	Hp 20-25-30-40 / Kw 15-18,5-22-30	Hp 30-40-50-60-75 / Kw 22-30-37-44-55	Hp 60-75-100-125 / Kw 44-55-74-92
FEEDING BELT MOTOR POWER	1.5Kw	1.5Kw	3 Kw	0.75Kw	2.2Kw	3Kw
FEEDING BELT SPEED	0 a 40 Mt/1"	0-50 Mt/1"	0-50 Mt/1" (OPTIONAL)	0-60 Mt/1" (OPTIONAL)	0-60 Mt/1" (OPTIONAL)	0-60 m/min 0-80 m/min OPTIONAL
GROUP PRESSURE MOTOR POWER	X	0.75Kw	1.1 Kw	0.75Kw	0.75Kw	0.75Kw
MAX PASSAGE WIDTH PLANKS	650mm (800mm)	650mm (800mm)	800mm	680mm (800mm)	840mm (950mm)	903mm (1000)
FEED BELT WIDTH	350mm	350mm	500mm	250mm	350mm	500mm
BLADES SHAFT ROTATION	3500 RPM	3500 RPM	3500 RPM	3500 RPM	3500 RPM	3500 RPM
MAX. CUTTING THICKNESS	80mm (350mm Blade)	130mm (370mm Blade)	120mm (with blade to D.400mm)	85mm (330mm Blade)	105mm (330mm Blade D.370)	120mm (450mm Blade)
MIN. CUTTING THICKNESS	20mm	20mm	20mm	20mm	20mm	20mm
MIN. PLANKS LENGTH	600mm (400mm with optional - small pieces)	600mm (400mm with optional - small pieces)	550mm (400mm optional for short pieces)	560mm (280mm with optional - small pieces)	600mm (350mm with optional - small pieces)	650mm (400mm with optional - small pieces)
MIN. DISTANCE BETWEEN FIXED AND MOVING BLADE	X	X	X	16mm	16mm	16mm
MAX. DISTANCE BETWEEN FIXED AND MOVING BLADE	320mm up two moving blades install	320mm up two moving blades install	320mm up to 4 moving blades	240mm (with 1 mobile blade installed)	240mm (with 2 mobile blades installed)	336mm (with 4 mobile blades installed)
MAX. DISTANCE BETWEEN 2 FIXED AND MOVING BLADE	X	X	450mm (with 1 mobile device installed)	X	X	450mm (with 1 mobile blades installed)
MAX. DISTANCE BETWEEN 2 FIXED AND MOVING BLADE	X	X	355mm	X	X	355mm
TABLE WORKING HEIGHT FROM FLOOR	780mm	780mm	780mm	780mm	780mm	780mm
CONTROL BOARD WITH 99 MEMORY PROGRAMME	manual or automatic control	X		manual or automatic control	manual or automatic control	manual or automatic control
POSITION LASER CONTROL	Red laser. Power 15mw up to 6mt rayon light	Red laser. Power 15mw up to 6mt rayon light	Red laser. Power 15mw up to 6mt rayon light	Red laser. Power 15mw up to 6mt rayon light	Red laser. Power 15mw up to 6mt rayon light	Red laser. Power 15mw up to 6mt rayon light
CENTRAL GUIDE DEVICE FOR BELT	for gluing	for gluing	for gluing	for gluing	for gluing	for gluing
SOUND CAMPING MATERIAL ABLE TO REDUCE NOISE	lower 15db	lower 15db	lower 15db	lower 15db	lower 15db	lower 15db
CHAIN BELT AUTOMATIC LUBRICATION	no	no	●	●	●	●

TECHNICAL DETAILS	EDGER SCA 650 R T700	EDGER SCA 700 TELESCOPIC	EDGER RV 700	EDGER RV 1000	EDGER RV 700 HS	EDGER RS 600
VOLTAGE	400V / 50Hz	400V / 50Hz	400V / 50Hz	400V / 50Hz	400V / 50Hz	400V / 50Hz
DUST CONNECTION (MAIN)	300mm diameter - 30m/s 7600Mc3/h	300mm diameter - 30m/s - 7600Mc3/h	300mm diameter port/30 meters per second/7600Mc3/h	300mm diameter port/30 meters per second/7600Mc3/h	300mm diameter port/30 meters per second/7600Mc3/h	2x120 + 2x80 mm diameter port/30 meters per second/2x 1750 Mc3/h
WEIGHT MACHINE	6500Kg	6500Kg	15.000 Kg	13.000 Kg	12.000 Kg	3.200 Kg
DIMENSIONS MACHINE	L. 255cm W. 245cm H. 200cm	L. 255cm W. 245cm H. 200cm	L. 235cm W. 552.5cm H. 198cm	L. 235cm W. 552.5cm H. 232cm	L. 216cm W. 642cm H. 191cm	L. 300cm W. 430cm H. 232cm
BLADES MOTOR POWER	Hp 60-75-100-125 Kw 44-55-75-92	Hp 60-75-100-125 Kw 44-55-75-92	Hp 30-40-50-60 Kw 22-30-37-44	Hp 30-40-50-60 Kw 22-30-37-44	Hp 100-125 Kw 75-90	2X Hp 30 2X Kw 22-
FEEDING BELT MOTOR POWER	3Kw	3Kw	3Kw	3Kw	11Kw	0.75 Kw
FEEDING BELT SPEED	0-60 m/min 0-80 m/min OPTIONAL	0-60 m/min 0-80 m/min OPTIONAL	0-60 Mt/1" (OPTIONAL)	0-60 Mt/1" (OPTIONAL)	0-160 m/min	0-60 mt/1" (0 a 60 Mt/1")
GROUP PRESSURE MOTOR POWER	0.75Kw	0.75Kw	X	X	1.5 kW	X
MAX PASSAGE WIDTH PLANKS	1130mm (1200)	1130mm (1200)	1000 mm	1300mm	1000mm	700 mm
FEED BELT WIDTH	700mm	700mm	700mm	1000mm	700mm (ROLLER)	100 mm
BLADES SHAFT ROTATION	3500 RPM	3500 RPM	3500 RPM	3500 RPM	3500 RPM	2960 RPM
MAX. CUTTING THICKNESS	145mm (450mm Blade)	145mm (450mm Blade)	90mm (115mm)	115mm	50mm (60mm WITH Ø350 BLADE)	160 mm
MIN. CUTTING THICKNESS	20mm	20mm	20mm	20mm	20mm	15 mm
MIN. PLANKS LENGTH	750mm (400mm with optional - small pieces)	750mm (400mm with optional - small pieces)	900mm	900mm	1200mm	600 mm
MIN. DISTANCE BETWEEN FIXED AND MOVING BLADE	16mm	16mm	16mm	X	X	600 mm
MAX. DISTANCE BETWEEN FIXED AND MOVING BLADE	470mm (with 4 mobile blades installed)	470mm (with 4 mobile blades installed)	660mm (with 6 mobile blades installed)	960mm (with 6 mobile blades installed)	960mm (with 6 mobile blades installed)	960mm (with 6 mobile blades installed)
MAX. DISTANCE BETWEEN 2 FIXED AND MOVING BLADE			X	X	X	X
MAX. DISTANCE BETWEEN 2 FIXED AND MOVING BLADE	484mm (with 4 mobile blades installed)	484mm (with 4 mobile blades installed)	X	X	X	X
TABLE WORKING HEIGHT FROM FLOOR	780mm	780mm	780mm	780mm	808mm	1320 mm
CONTROL BOARD WITH 99 MEMORY PROGRAMME	X	X	X	X	X	X
POSITION LASER CONTROL		X	X	X	X	X
CENTRAL GUIDE DEVICE FOR BELT	for gluing					
SOUND CAMPING MATERIAL ABLE TO REDUCE NOISE	lower 15db	lower 15db	lower 15db	lower 15db	lower 15db	lower 15db
CHAIN BELT AUTOMATIC LUBRICATION	●	●	●	●	●	●

SCA 400 BT 500



CUTTING DRAWING



ANTI KICK BACK DRAWING

Top rollers group raised automatically, with 7 independent hold-down rolls and a long wooden shoe placed between the blades. The splinterproof system consists of steel fingers distributed on 4 top rows (two of which acting as splinterproof and the other two as anti-kickback) and one bottom row.

