



# SUPER-COR® XL Ultrafiltration Modules

## Ultrafiltration Multitube Modules for Juice Processing

PRODUCT DESCRIPTION	
<b>Membrane Material:</b>	PVDF
<b>Membrane Type:</b>	Ultrafiltration
<b>Molecular Weight Cutoff*:</b>	HFM-180: 100,000 Daltons HFM-513: 500,000 Daltons
<b>Configuration:</b>	Nineteen (19) ½" diameter tubules in a polysulfone shell
<b>Applications:</b>	Juice processing
<b>Regulatory Information:</b>	Compliant with food contact regulations per US FDA CFR Title 21, EC Reg. No. 1935/2004 and EU Reg. No. 10/2011. Halal certified by the Islamic Food and Nutrition Council of America (IFANCA).
<b>Options:</b>	HFM-180 membrane for light juices HFM-513 for all juices

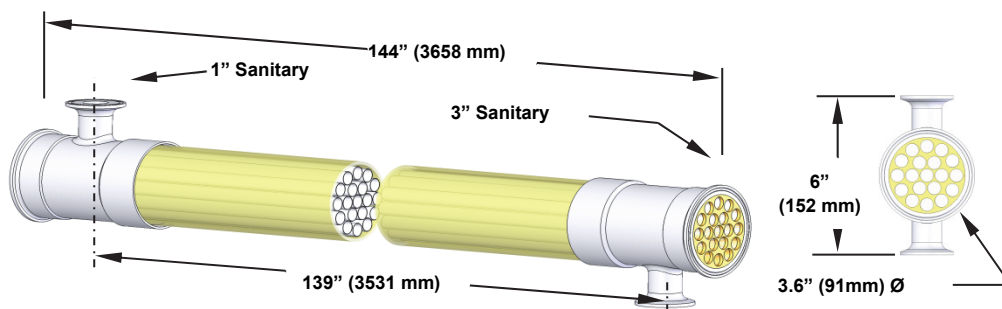
\* The nominal separation range and retention characteristics of the membranes are highly dependent upon the nature of the liquid being processed and on several other operating parameters. This information should, therefore, be used as a guide only

SPECIFICATIONS		
Part Number	Model	Active Membrane Area ft <sup>2</sup> (m <sup>2</sup> )
0712210	SUPER-COR® XL 3012-HFM-180	28.8 (2.7)
0712270	SUPER-COR® XL 3012-HFM-513	28.8 (2.7)

OPERATING AND DESIGN INFORMATION*	
<b>Maximum Operating Pressure:</b>	90 psi @ 120°F (6.2 bar @ 49°C)
<b>Minimum Outlet Pressure:</b>	10 psi (0.7 bar)
<b>Maximum Permeate Pressure:</b>	3 psi (0.2 bar)
<b>Typical Feed Side Pressure Drop Per Module:</b>	4-6 psi (0.27-0.40 bar)
<b>Maximum Feed Side Pressure Drop Per Module:</b>	6 psi @ 120 °F (0.4 bar @ 49°C)
<b>Maximum Operating Temperature at pH 8:</b>	Continuous 120 °F (49°C) Short term 130 °F (54°C)
<b>Allowable pH Range at 120°F (49°C):</b>	Continuous 2.0 – 10.0 Short term 1.5 – 10.5
<b>Maximum Chlorine (cleaning):</b>	200 ppm @ pH 10-10.5, 120°F (49°C)

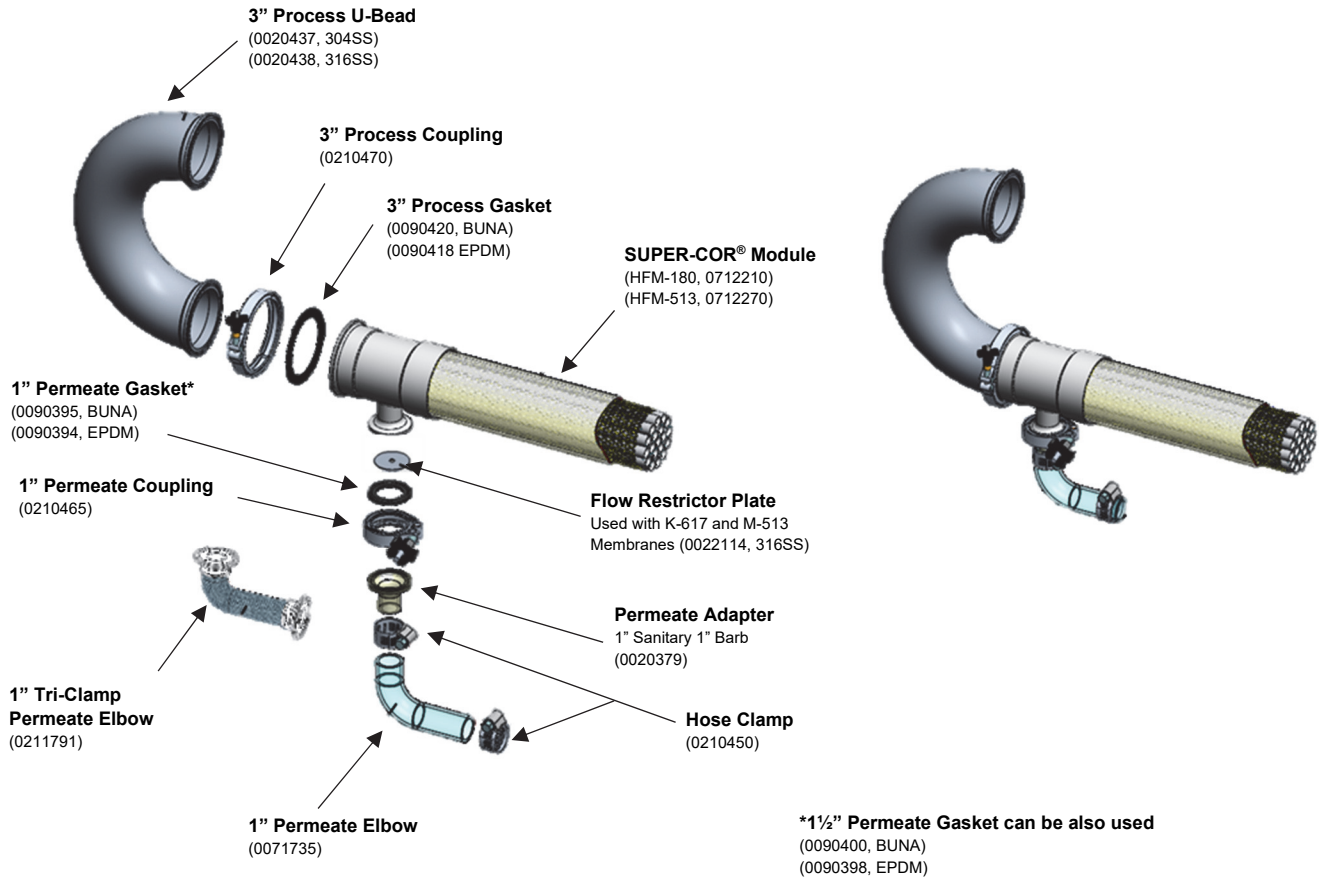
\*Consult KSS Process Technology Group for specific applications.

## NOMINAL DIMENSIONS





**SUPER-COR® XL TUBULAR MODULE ASSEMBLY**



**Service and Ongoing Technical Support:**

Koch Separation Solutions (KSS) has an experienced staff of professionals available to assist end-users and OEM's for optimization of existing systems and support with the development of new applications.

**KSS Capability**

KSS is the leader in crossflow membrane technology, manufacturing reverse osmosis, nanofiltration, microfiltration, and ultrafiltration membranes and membrane systems. The industries we serve include food, dairy, beverage, automotive, water and wastewater, chemical, and general manufacturing. KSS adds value by providing top quality membrane products and by sharing our experience in the design and supply of thousands of crossflow membrane systems worldwide.

