



PURON[®] MP Hollow Fiber Cartridge

8-inch Ultrafiltration Cartridge for Water and Wastewater Filtration

PRODUCT DESCRIPTION

Membrane Chemistry:	Proprietary PVDF
Membrane Type:	Braided hollow fiber for outside-in operation
Fiber Support Chemistry:	Polyester
Nominal Pore Size:	0.03 µm
Outside Fiber Diameter:	0.1 inch (2.6 mm)
Housing Shell:	PVC
Potting Material:	Proprietary Epoxy Compound
Storage Solution:	Glycerin/Water
Regulatory Status:	Classified by UL to NSF/ANSI Standard 61 and in accordance with NSF/ANSI Standard 372

PRODUCT SPECIFICATIONS

Part Number	Model	Membrane Area [ft ² (m ²)]	Typical Production Range [gpm (m ³ /hr)]
0728001	PURON [®] MP 8063-102	418 (39)	7 - 23 (1.5 - 5.2)

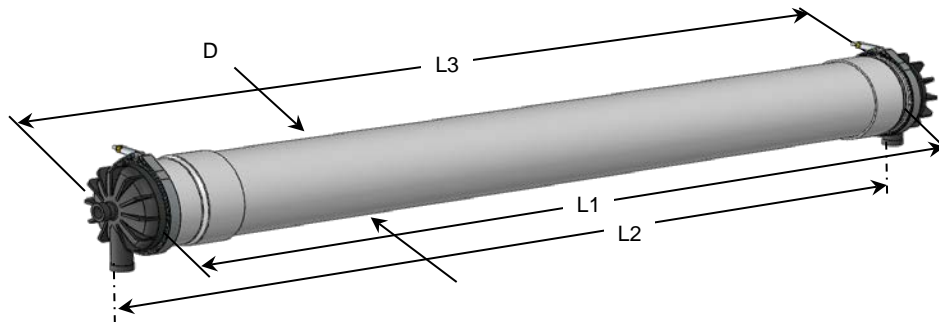
OPERATING AND DESIGN INFORMATION*

Maximum Pressure (water):	45 psi (3.0 bar)** @ 104° F (40° C) or less
Temperature Range:	32° F (0° C) - 104° F (40° C)
Maximum Production Transmembrane Pressure:	25 psi (1.7 bar)
Maximum Backflush Transmembrane Pressure:	10 psi (0.7 bar)
Allowable pH Range (continuous operation):	4 - 9
Allowable pH Range (short term):	1.8 - 10.5
Maximum Total Chlorine @ 77° F (25° C) or lower:	1,000 ppm @ pH <10.5
Typical Air Scour Rate per Cartridge:	7 scfm (12 Nm ³ /hr)
Maximum Air Scour Rate per Cartridge:	9 scfm (15 Nm ³ /hr)
Typical Backflush Flow Rate per Cartridge:	19 gpm (4.3 m ³ /hr)

*Consult KSS Process Engineering group for specific applications

**Higher pressure, up to 3.6 bar (52 psi) requires specific approval of KSS Process Engineering group

NOMINAL DIMENSIONS



Model	D		L1		L2		L3	
	inches	(mm)	inches	(mm)	inches	(mm)	inches	(mm)
PURON [®] MP 8063-102	8.6	(200)	63	(1,600)	66 9/16	(1,691)	70 1/8	(1,781)

* Dimensions are provided for reference only and should not be interpreted as accurate specifications.



STORAGE CONDITIONS

Cartridge Storage Conditions:

New cartridges are packaged in a glycerin/water solution. The glycerin/water solution should be removed from new cartridges before their initial use with a water rinse followed by a chlorine clean. See the pre-startup cleaning instruction sheet packed with each cartridge shipment for more details. Prior to installation, cartridges should be stored in their original packaging under the following conditions:

- Indoors, out of direct sunlight.
- Temperatures between 50 – 85°F (10 – 30°C).
- Relative humidity below 70%.
- In a horizontal position.

It is best to use new cartridges within one year of shipment. Consult KSS for recommendations for longer term storage.

Used cartridges should be cleaned, rinsed and impregnated before storage using a solution of 80 – 100% glycerin. New cartridge storage conditions should also be used for used cartridges. Used cartridges must be drained, rinsed, and cleaned after storage per the pre-startup cleaning instruction sheet.

CARTRIDGE ASSEMBLY AND COMPONENTS

Item	Description	Quantity Required
1	PURON® MP Cartridge	1 each
2	8" Seal	2 each
3	8" Clamp	2 each
4	8" Top End Cap	1 each
5	8" Bottom End Cap	1 each
6	Vent Port O-rings	2 each
7	Vent 1½" groove end coupling	4 each
8	Spool sight glass	1 each

PURON® MP Pass Kit

(Items 3-8)

Part Number 1021034

PURON® MP End Cap Kit

(items 3, 4, 5 & 6)

1021075

Notes:

- Feed, permeate and vent ports are 1½" groove end couplings
- Air scouring connection is ½" OD tubing
- 8" seals (item 2) and O-rings (item 6) are included with the cartridge

PURON® MP
PROCESS PASS KIT
1021034

