

## 800AJ ARTICULATING BOOM LIFTS

### Platform

- 0.91 m x 1.83 m low mount platform
- Side entry with drop bar mid rail
- Multiple function operation
- Full proportional drive joystick control with integral thumb steer switch
- Full proportional main boom and swing joystick control
- Multiple speed control for telescope, lower boom and platform rotate
- Selectable creep speed on drive / lift and swing functions
- 1.83 m articulating jib
- 180 degree powered platform rotator
- Platform console machine status light panel <sup>1</sup>
- Load sensing system
- AC power cable to platform

### Available Options

- 0.91 m x 2.44 m low mount platform
- Side entry with inward swing gate
- 13 mm air line to platform
- Four wheel drive
- Four wheel steer/Two wheel steer/Crab steer <sup>3</sup>
- 15 - 625 foam filled lug tread tyres
- Oscillating front axle
- On-board 4,000W generator
- SkyPower<sup>®</sup> package 7,500 watt on-board generator
- SkyWelder<sup>®</sup> package 250 amp welder in the platform <sup>4</sup>
- Nite-Bright<sup>®</sup> package <sup>5</sup>
- Tow package
- All motion alarm
- Alarm package <sup>6</sup>
- Light package <sup>7</sup>
- Head and tail lights
- Flashing amber beacon
- Plugs & Sockets
- Hostile environment package <sup>8</sup>
- Hydraulic oil cooler
- Catalytic purifier muffler
- Corner storage tray

### Power & Transmission

- Engine distress warning /shut down system <sup>2</sup>
- Gull-wing turntable hoods
- Swing-out engine tray
- Spark arresting type muffler
- Control ADE<sup>®</sup> (Advanced Design Electronics) System
- Hydrostatic drive transmission
- Horn

### Functional Equipment & Accessories

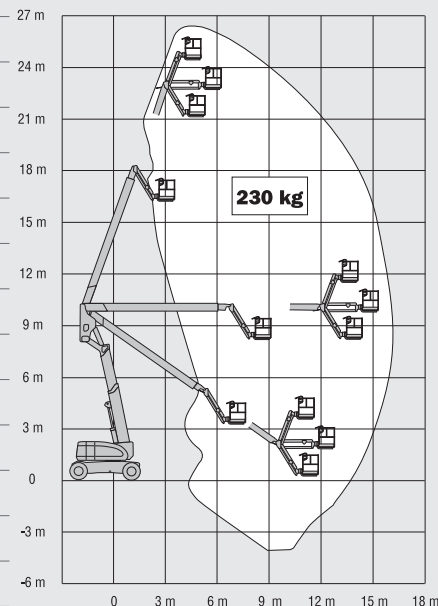
- QuikStik<sup>®</sup> boom design
- 3 degree tilt alarm and indicator light
- 18 - 625 foam filled lug tread tyres
- Load sensing boom function pump
- Lifting/tie down lugs
- Hour meter
- Ground control selector switch with key lock
- Platform tool tray
- 12V-DC auxiliary power



- <sup>1</sup> Provides indicator lights at platform control console for system distress, low fuel, tilt light, and foot switch status.
- <sup>2</sup> Low oil pressure and high coolant temperature alarms with shut-down enabled/disabled by analyser.
- <sup>3</sup> Only available with four wheel drive on models 600A and 600AJ with 2.4m wide chassis and 800A and 800AJ.
- <sup>4</sup> Available when integrated with the SkyPower<sup>®</sup> package
- <sup>5</sup> Consists of six 40-watt lights, four turntable mounted lights and two platform mounted lights.
- <sup>6</sup> Includes all-motion alarm and flashing amber beacon.
- <sup>7</sup> Includes platform mounted work lights and head & tail lights.
- <sup>8</sup> Includes console cover, boom wipers and cylinder bellows.

# 800AJ ARTICULATING BOOM LIFTS

Platform Height	24.46 m
Horizontal Outreach	15.74 m
Up and Over Height	9.78 m
Swing (Continuous)	360°
Platform Capacity – Unrestricted	230 kg
Platform Rotator (Hydraulic)	180°
Jib – Overall Length	1.83 m
Jib - Range of articulation	130° (+70°/ -60°)
A. Platform Size	0.91 m x 1.83 m
B. Overall Width	2.43 m
C. Tailswing – working condition	0.76 m
D. Stowed Height	3.00 m
E. Stowed Length	11.12 m
F. Wheelbase	3.05 m
G. Ground Clearance	0.30 m
Machine weight <sup>1</sup>	15,600 kg
Maximum Ground Bearing Pressure	5.40 kg/cm <sup>2</sup>
Drive Speed 2WD	4.8 km/h
Drive Speed 4WD	4.8 km/h
Gradeability 2WD	30%
Gradeability 4WD	45%
Tyres	18 - 625 Foam Filled
Axle Oscillation	0.20 m
Turning Radius – Inside 2WS	3.66 m
Turning Radius – Inside 4WS	2.13 m
Turning Radius – Outside 2WS	6.86 m
Turning Radius – Outside 4WS	4.42 m
Diesel Engine <sup>2</sup>	Deutz D2011L04 46KW
Fuel Tank Capacity	151 L
Hydraulic Reservoir	261 L
Auxiliary Power	12V DC

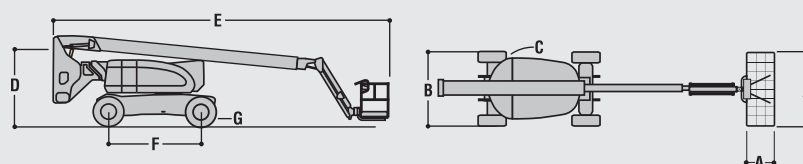


**JLG Industries, Inc. is a leading designer and manufacturer of access equipment and complementary services and attachments.**

JLG has manufacturing facilities in the United States, France, Romania, China and Belgium. Customers throughout Europe, Scandinavia, Africa and the Middle East benefit from a network of dedicated sales and service operations designed to deliver the highest levels of support.

JLG is an Oshkosh Corporation company.

[www.jlgeurope.com](http://www.jlgeurope.com)



<sup>1</sup> Certain options or country standards may increase weight and/or dimensions.  
<sup>2</sup> With EGR.