

DW15e

Wheel Dumpers



**WACKER
NEUSON**
all it takes!



The electric Wheel Dumper with all-wheel drive

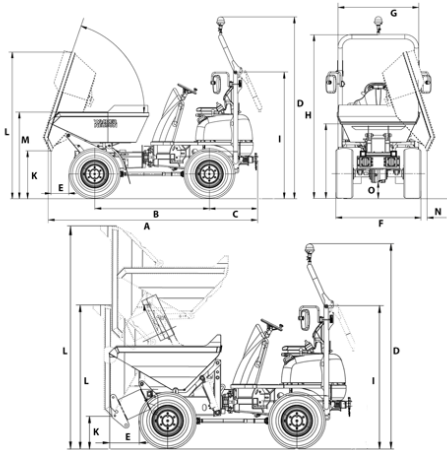
Emission-free thanks to electric drive, but with the same performance parameters as the conventional brother 1501, this is the zero emission wheel dumper DW15e. The electric drive makes this machine the ideal material handling support, wherever no exhaust or noise emissions is wanted or allowed, such as in inner city areas or building interiors. The four-wheel drive makes the DW15e a perfect partner for uneven or steep terrain. The articulated joint adapts to any unevenness and thus provides the necessary stability. A folding roll bar and the small dimensions make it unbeatable when it comes to transport.

- Small dimensions and high performance, equivalent to our conventional Dumper 1501
- Very low noise emissions - ideal for noise sensitive areas
- Two single electric engines, one for the drive system and one for the work hydraulics
- Energy recovery during braking and downhill driving
- On the safe side, with the optionally available backup alarm, rotating beacon and exterior mirrors

DW15e Technical specifications

	High tip skip	Swivel tip skip
Operating data		
Payload kg	1,500	1,500
Shipping weight max. kg	1,950	1,900
Operating weight max. kg	3,525	3,475
Skip capacity level I	650	650
Skip capacity heaped I	800	800
Skip capacity water measure l	420	325
Engine / Motor		
Lifting motor - capacity kW	9	9
Engine RPM rpm	2500	2500
Travel drive motor - capacity kW	6.5	6.5
Engine RPM rpm	6000	6000
Pendulum angle °	15	15
Turning radius mm	3,650	3,650
Steering pump	gear pump	gear pump
Flow rate l/min	10	10
Operating pressure bar	140	140
Duty pump	gear pump	gear pump
Flow rate l/min	16.8	16.8
Operating pressure bar	175	175
Sound level (LwA) dB(A)	83	83
Battery		
Type of battery	48V 3 TCSV 300	48V 3 TCSV 300
Battery weight (± 5 %) kg	470	470
Rated capacity K5 Ah	300	300
Charging time h	8	8
Runtime min. h	3.5	3.5
Runtime max. h	6.5	6.5
Battery V	48	48

DW15e Dimensions



		High tip skip	Swivel tip skip
A	Overall length	3,300 mm	3,214 mm
B	Wheelbase	1,755 mm	1,755 mm
C	Rear overhang	746 mm	746 mm
D	Height	2,777 mm	2,777 mm
E	Dumping distance	375 mm	296 mm
F	Width	1,304 mm	1,304 mm
G	Skip width	1,198 mm	1,260 mm
H	Height ROPS	2,535 mm	2,535 mm
I	Height ROPS tipped	1,956 mm	1,956 mm
K	Dump height max.	445 mm	740 mm
L	Skip height	1,966 mm	2,276 mm
L	Skip height High tip skip raised	3,038 mm	
M	Skip height	1,308 mm	1,181 mm
N	Dumping distance		118 mm
O	Ground clearance	252 mm	252 mm
-	Dump angle		72 °

Please note: that product availability can vary from country to country. It is possible that information / products may not be available in your country. More detailed information on engine power can be found in the operator's manual; the stated power may vary due to specific operating conditions. Subject to alterations and errors excepted. Applicable also to illustrations.
Copyright © 2019 Wacker Neuson SE.