

3204 - Dumper laadvermogen 2ton - Wacker Neuson 2001



OPERATING-DATA

2001
(Swivel tipping)

Payload	2000 kg
Tare weight	1810 kg
Skip capacity levelled	930 l
Skip capacity stacked high	1,210 l
Skip capacity Water levelling	680 l



ENGINE

Make/Type	YANMAR 3TNV82A
Model	watercooled 3-cylinder

Power SFib (iso 3046/1)	22.3 kW (30.6 hp)
Displacement	1331 cm ³
Operating speed	3000 min ⁻¹
Exhaust emissions	ac. 97/68/EU, 3A



DRIVE CHARACTERISTICS

Drive speed	0-21 kph
Steering angle	+/- 37°
Oscillation	+/- 15°
Turning radius outside	3.500 mm
Gradeability	45 %



DRIVE

Drive	4WD
Steering	
Tyres	10.0/75-15; 8 Ply Tractor profile
Service brake	hydrostatic
Parking brake	Operation via electric



HYDRAULICS SYSTEM

Drive pump	Axial piston pump
Flow rate	168 l/min
Operating pressure	420 bar
Work pump	Gear pump
Flow rate	25 l/min
Operating pressure	175 bar



TANK CAPACITY

Diesel tank	27 l
Hydraulic oil tank	28 l



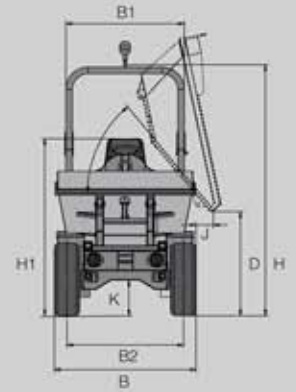
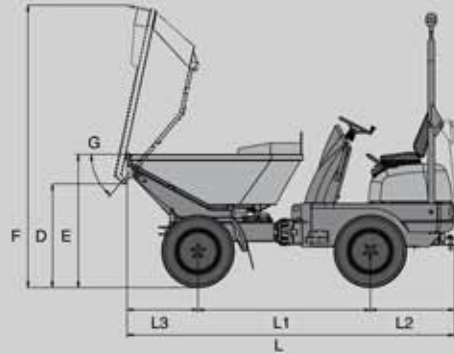
ELECTRICS

Voltage	12 V
Battery	74 Ah
Alternator	40 A
Starter	1.7 kW



NOISE LEVELS

Noise LWA (acc. 2000/14/EC)	101 dB(A)
------------------------------------	-----------



2001

DIMENSIONS

2001
(Swivel tipping)

B	1485 mm
B1	1250 mm
B2	1230 mm
C	-
C1	-
D	-
D1	-
D2	-
D3	-
E	1400 mm
F	3000 mm
F1	-
G	50°
H	2650 mm
H1	1850 mm
H2	-
H3	-
J	180 mm
K	380 mm
L	3420 mm
L1	1800 mm
L2	880 mm
L3	740 mm
M	-
P	-
V	-
W	-
X	-
Y	-
Z	-