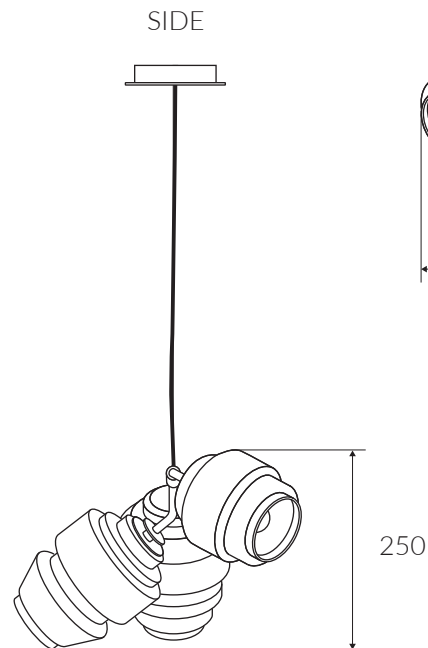
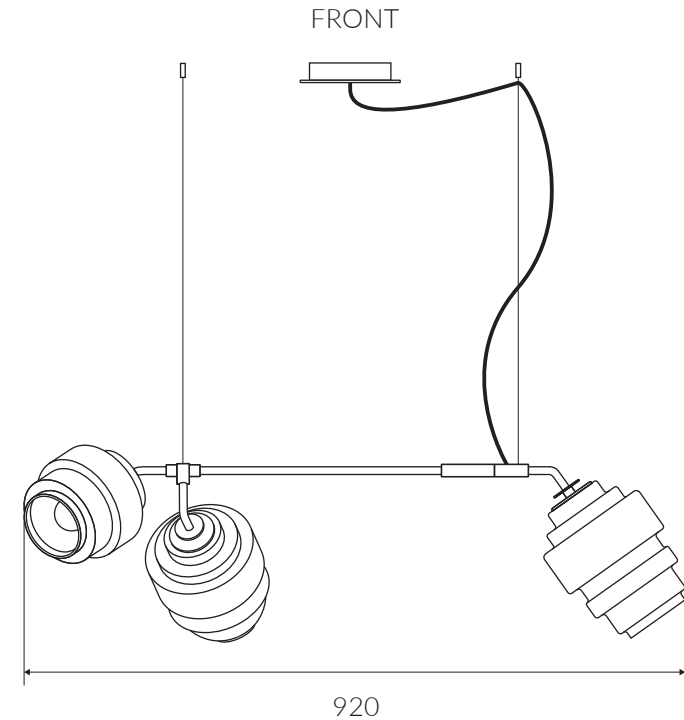
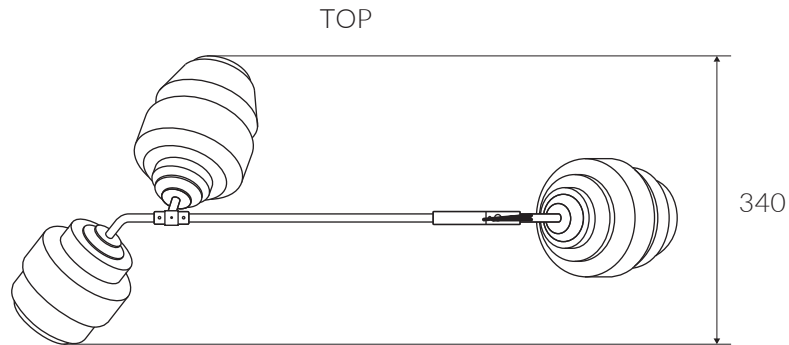


# EDGAR PENDANT LAMP - EDGAR.P.3



**Materials:**

Lamp in brushed brass and opal mouth blown glass  
Canopy white powder coated aluminium

**Suspension:**

0-275 cm, adjustable at installation

**Weight:**

+/- 1.9 kg

**Bulb type:**

LED, E27, 380 Lm, 5.5W, 2000 -2700 K

**Dimmable:**

Yes

**Voltage:**

220V - 240V

