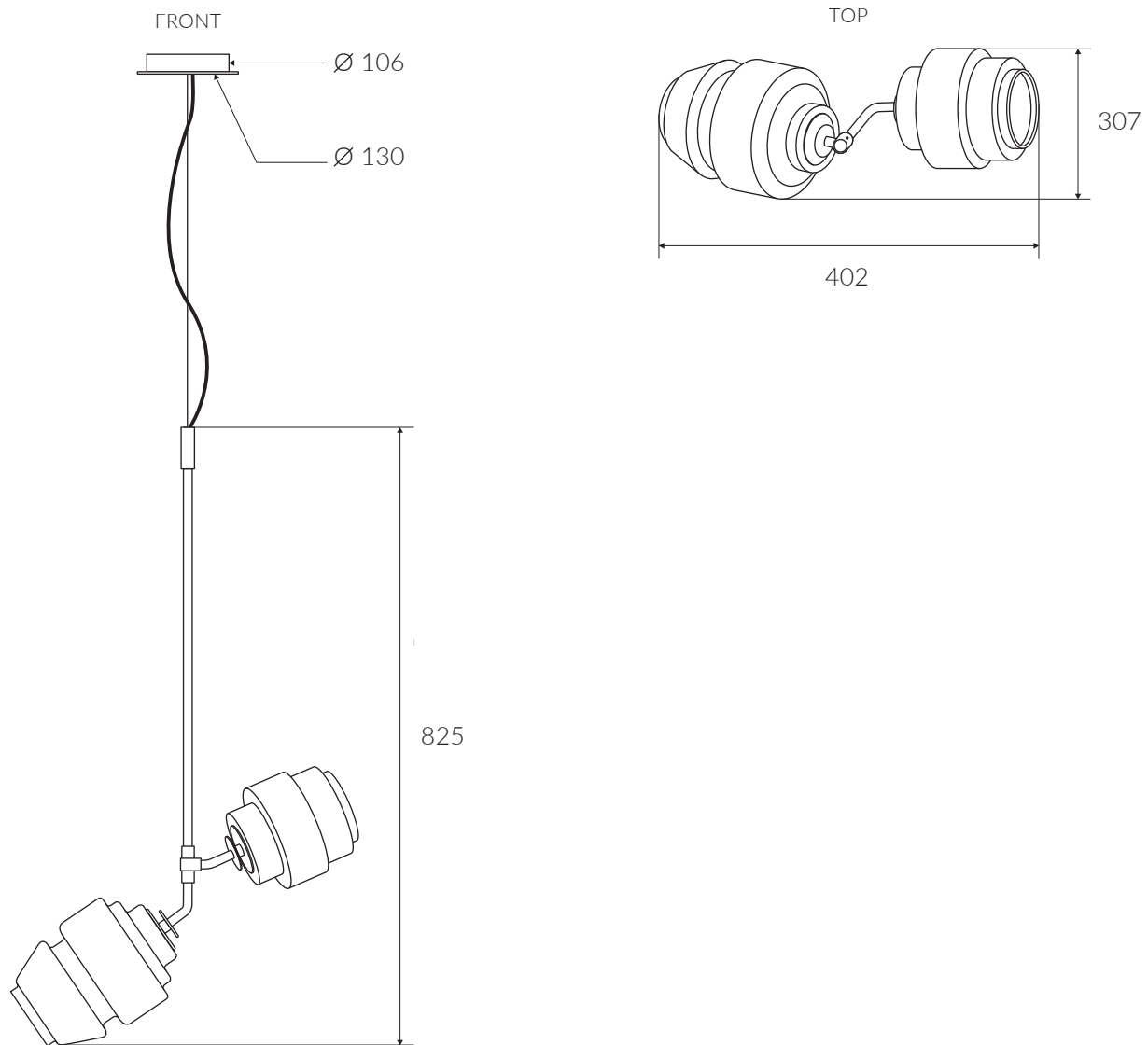


EDGAR PENDANT LAMP - EDGAR.P.2



Materials:

Lamp in brushed brass and opal mouth blown glass
Canopy white powder coated aluminium

Suspension:

0-275 cm, adjustable at installation

Weight:

+/- 3.2 kg

Bulb type:

LED, E27, 380 Lm, 5.5W, 2000 -2700 K

Dimmable:

Yes

Voltage:

220V - 240V

